

ROBINAIR®

Original Instructions
Original-Betriebsanleitung
Istruzioni originali
Instrucciones originales
Instruções Originais
Consignes originales



Model AC1234-3
Model AC1234-3P

Recover, Recycle, Recharge Machine
for R1234yf A/C Systems



Description: Recover, recycle, and recharge machine for use with R1234yf equipped air conditioning systems.

PRODUCT INFORMATION

Record the serial number and year of manufacture of this unit for future reference. Refer to the product identification label on the unit for information.

AC1234-3

Serial Number: _____ Year of Manufacture: _____

DISCLAIMER: Information, illustrations, and specifications contained in this manual are based on the latest information available at the time of publication. The right is reserved to make changes at any time without obligation to notify any person or organization of such revisions or changes. Further, ROBINAIR shall not be liable for errors contained herein or for incidental or consequential damages (including lost profits) in connection with the furnishing, performance, or use of this material. If necessary, obtain additional health and safety information from the appropriate government agencies, and the vehicle, refrigerant, and lubricant manufacturers.

Table of Contents

Safety Precautions	2
Introduction	
Technical Specifications	5
Features of the AC1234-3(P)	6
Control Panel Functions	7
Setup Menu Functions	8
Initial Setup	
Unpack the Machine	9
Unpack the Accessory Kit	9
Power Up the Machine	9
Select Language	10
Select Units	10
Set Date and Time	10
Edit Print Header	10
Service Vacuum	11
Tank Fill	11
Unit Activation	13
Operating Instructions	
Enter Service Data	14
Recover	15
Vacuum	17
Flush Hoses	18
Charge	19
Automatic	20
System Flush	21
Maintenance	
Schedule	13
Electrical Protection	24
Lockout / Tag Out	24
Load Language	24
Tank Fill	25
Filter Maintenance	26
Calibration Check	28
Change Vacuum Pump Oil	29
Leak Check	30
Oil Inject Adjust	31
Edit Print Header	32
Replace Printer Paper	32
Install a Printer	33
Replacement Parts	34
Glossary	34
Troubleshooting Messages	35
Storage and Transportation of Equipment	39
Disposal of Equipment	40

Safety Precautions

Explanation of Safety Signal Words Used in this Manual

The safety signal word designates the degree, or level, of hazard seriousness.



DANGER: Indicates an imminently hazardous situation which, if not avoided, will result in death or serious injury.



WARNING: Indicates a potentially hazardous situation which, if not avoided, could result in death or serious injury.



CAUTION: Indicates a potentially hazardous situation which, if not avoided, may result in minor or moderate injury.

CAUTION: Used without the safety alert symbol indicates a potentially hazardous situation which, if not avoided, may result in property damage.

These safety messages cover situations Robinair is aware of. Robinair cannot know, evaluate, and advise you as to all possible hazards. You must verify that conditions and procedures do not jeopardize your personal safety.

Explanation of Safety Decals Used on the AC1234-3(P)

	Carefully read the instructions.
	Do not use in open air in case of rain or high humidity.
	Wear gloves.
	Wear protection goggles.
	Alternating voltage.
	Grounding protection.
	Electrical shock hazard.



WARNING : To prevent personal injury,



ALLOW ONLY QUALIFIED PERSONNEL TO OPERATE THE MACHINE. Before operating the machine, read and follow the instructions and warnings in this manual. The operator must be familiar with air conditioning and refrigeration systems, refrigerants, and the dangers of pressurized components. If the operator cannot read this manual, operating instructions and safety precautions must be read and discussed in the operator's native language.



USE THE AC1234-3(P) AS OUTLINED IN THIS MANUAL. Using the machine in a manner for which it was not designed will compromise the machine and nullify the protections provided.



PRESSURIZED TANK CONTAINS LIQUID REFRIGERANT. Do not overfill the internal storage vessel (ISV), because overfilling may cause explosion resulting in personal injury or death. Do not recover refrigerants into nonrefillable containers; use only type-approved refillable containers that have pressure relief valves.



HOSES MAY CONTAIN LIQUID REFRIGERANT UNDER PRESSURE. Contact with refrigerant may cause personal injury, including blindness and frozen skin. Wear protective equipment, including goggles and gloves. Disconnect hoses using extreme caution. Ensure the phase has been completed before disconnecting the machine to prevent the release of refrigeration to the atmosphere.



DO NOT BREATHE REFRIGERANT AND LUBRICANT VAPOR OR MIST. R1234yf reduces the oxygen available for breathing, resulting in drowsiness and dizziness. Exposure to high concentrations of R1234yf causes asphyxiation, injury to the eyes, nose, throat, and lungs, and can affect the central nervous system. Use the machine in locations with mechanical ventilation that provides at least one air change per hour. If accidental system discharge occurs, ventilate the work area before resuming service.

DO NOT DISPERSE REFRIGERANT INTO THE ENVIRONMENT. Such a precaution is necessary to prevent the possible presence of refrigerant in the working environment.



TO REDUCE THE RISK OF FIRE, do not use the machine in the vicinity of spilled or open containers of gasoline or other flammable substances.

TO REDUCE THE RISK OF FIRE, do not use an extension cord. An extension cord may overheat and cause fire. If you must use an extension cord, use the shortest possible cord with a minimum size of 14 AWG.

TO REDUCE THE RISK OF FIRE, do not use the machine in the vicinity of flames and hot surfaces. Refrigerant can decompose at high temperatures and can free toxic substances to the environment which can be noxious to the user.

TO REDUCE THE RISK OF FIRE, do not use the machine in environments containing explosive gases or vapors.

TO REDUCE THE RISK OF FIRE, do not use this machine in ATEX classified zones or areas. Protect the machine from conditions that may cause electrical failure or other hazards relating to ambient interaction.



DO NOT USE COMPRESSED AIR TO PRESSURE TEST OR LEAK TEST THE MACHINE OR VEHICLE AIR CONDITIONING SYSTEM. Mixtures of air and R1234yf refrigerant can be combustible at elevated pressures. These mixtures are potentially dangerous and may result in fire or explosion causing personal injury and / or property damage.



HIGH VOLTAGE ELECTRICITY INSIDE THE MACHINE HAS A RISK OF ELECTRICAL SHOCK. Exposure may cause personal injury. Disconnect the power before servicing the machine.

NEVER LEAVE THE MACHINE LIVE IF AN IMMEDIATE USE IS NOT SCHEDULED. Disconnect the electrical supply before a long period of inactivity or before internal maintenance is performed. To ensure that unauthorized personnel cannot run the machine, use the Lockout / Tag Out feature.

DO NOT MODIFY THE PRESSURE RELIEF VALVE OR CHANGE THE CONTROL SYSTEM SETTINGS. Using the machine in a manner for which it was not designed will compromise the machine and nullify the protections provided.

Safety Precautions

CAUTION : To prevent equipment damage,



TO PREVENT CROSS-CONTAMINATION, USE THIS MACHINE WITH R1234YF REFRIGERANT ONLY. The machine is equipped with special connectors to recover, recycle, and recharge only R1234yf refrigerant. Do not attempt to adapt the machine for another refrigerant. Do not mix refrigerant types through a system or in the same container; mixing of refrigerants will cause severe damage to the machine and the vehicle air conditioning system.

DO NOT USE THIS MACHINE IN DIRECT SUNLIGHT. Position the machine far from heat sources, such as direct sunlight which can cause excessive temperatures. The use of this machine under normal environmental conditions (10°C to 50°C) keeps pressures under reasonable limits.



DO NOT USE THIS MACHINE OUTDOORS DURING RAIN OR HIGH HUMIDITY. Protect the machine from conditions that may cause electrical failure or other hazards relating to ambient interaction.

DO NOT USE THIS MACHINE IN AREAS WHERE THERE IS A RISK OF EXPLOSION.

SET UP THE MACHINE ON AN EVEN SURFACE AND UNDER SUFFICIENT LIGHTING. LOCK THE FRONT WHEELS, AND DO NOT SUBJECT THE MACHINE TO VIBRATION.

Further information regarding health and safety may be obtained from the refrigerant manufacturer.

Protective devices

Robinair No. AC1234-3(P) is equipped with the following protective devices :

- Over pressure valves.
- A maximum pressure switch stops the compressor when excessive pressure is sensed.



WARNING: Tampering with these protective devices could result in serious injury.

Refrigerant Tank Test

Official records and recurring tests necessary for pressurized instruments are governed by laws and / or national regulations depending on the country where the refrigerant tank is used. The system manager is responsible for respect of laws, regulations, and technical rules. During normal service, refrigerant tanks do not need maintenance. Refer to the Maintenance section of this manual for more information.

The Robinair No. AC1234-3(P) machine is used on R1234yf equipped vehicles and is designed to be compatible with existing service equipment and standard service procedures. This machine is a single-pass system (i.e. refrigerant flows through a filter once) that meets specifications for recycled refrigerant. Follow recommended service procedures for the containment of R1234yf.

Note: R1234yf systems require special oils. Refer to the A/C system manufacturer's service manual for oil specifications.

Technical Specifications

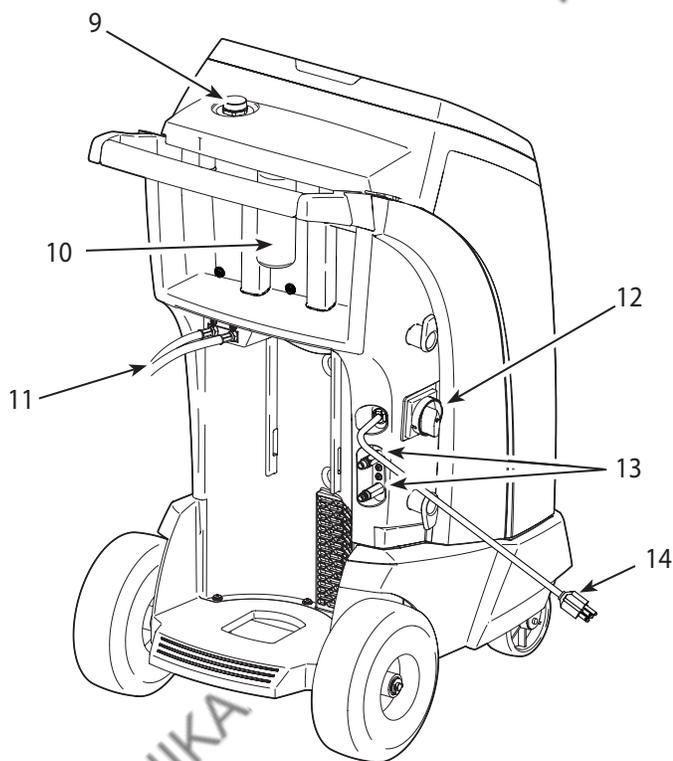
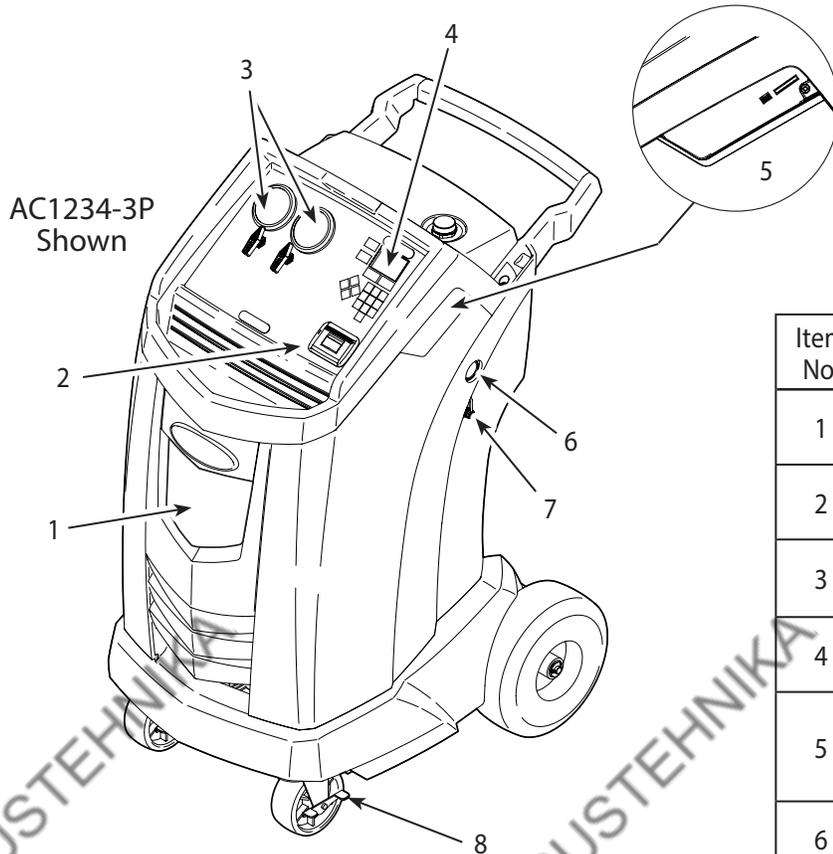
Compressor	1/4 HP
Dimensions	107 cm x 61 cm x 76 cm
Display	3.94 x 6.34 cm VA graphical LCD
Filter	150 kg
Humidity	32.2°C (90°F), 80% RH non-condensing
Manometer	∅ 63 mm
Maximum Pressure	18 bar
Noise	<70 dB(A)
Nominal Voltage	230V, 50/60 Hz
Oil Tank	355 ml
Operating Temperature	10°C to 50°C
Power Consumption	1100 VA
Pump Free-Air Displacement	2.5 CFM (70 l/m) 50 Hz
Service Hoses	250 cm / SAE J2888
Tank Capacity	8.50 kg (18.74 lb.)
Weight	67 kg



AC1234-3 shown

Introduction

Features of the AC1234-3(P)



Item No.	Description
1	Oil Drain Bottle
2	Printer (AC1234-3P only)
3	Low-side (blue) and High-side (red) Manifold Gauges and Panel Valves
4	Graphic Display and Keypad
5	USB and SD card Connections; 2224V _{RMS} double insulation in respect to main lines
6	Vacuum Pump Oil Sight Glass
7	Vacuum Pump Oil Drain Fitting
8	Wheel Lock
9	Vacuum Pump Oil Fill Cap and Port
10	Oil Inject Bottle
11	Service Hoses
12	Power / Lockout / Tag Out Switch
13	Service Hose Storage Ports
14	Power Cord

Control Panel Functions

ARROW UP moves selection of a menu item to the previous item; turns up audio volume.

ARROW DOWN moves selection of a menu item to the following item; turns down audio volume.

ARROW RIGHT scrolls to next screen; fast forwards the video.

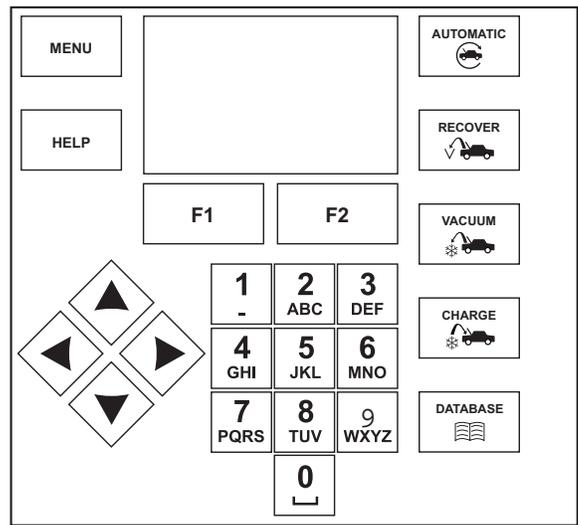
ARROW LEFT scrolls to previous screen; rewinds the video.

F1 makes a selection or answers a query.

F2 makes a selection or answers a query.

HELP displays information related to the current display.

MENU accesses additional functions and parameters.



Control Panel Keypad



AUTOMATIC activates a menu that helps the user set up an automatic recover / vacuum / leak test / charge sequence.



RECOVER activates the sequence to recover refrigerant from the vehicle A/C system.



VACUUM activates the sequence that pulls a deep vacuum on the vehicle A/C system to remove air and moisture.



CHARGE activates the sequence that charges the vehicle A/C system with a programmed amount of refrigerant.



DATABASE supplies information regarding charge capacity by vehicle model.

Introduction

Setup Menu Functions

Access the following functions by pressing the Menu key and selecting Setup.

Calibration Check

Use to verify internal scale calibration. Refer to Calibration Check in the Maintenance section of this user manual.

Edit Print Header

Programs information that will appear on the printout each time a print function is used.

Filter Maintenance

The filter removes acid, particulates, and moisture from the refrigerant. To meet requirements, it is mandatory to replace the filter after 150 kg (331 lbs.) of refrigerant has been filtered.

This menu item displays the filter capacity remaining until the machine locks down and no longer functions. Refer to Filter Maintenance in the Maintenance section.

Flush Hoses

Flushes residual oil from the machine's service hoses to prepare for service of next vehicle.

Oil Inject Adjust

Variables affect the accuracy of oil injection. Use this menu item to adjust the oil inject correction factor when using very high or low viscosity oils, or if the machine is operating in very high or low ambient temperatures. Refer to Oil Inject Adjust in the Maintenance section of the manual for instructions.

Production Menu

For Robinair production use only.

Pump Maintenance

Displays the amount of time remaining until the next vacuum pump oil change is needed. For maximum vacuum pump performance, change vacuum pump oil every time the filter is replaced. Refer to the Change Vacuum Pump Oil in the Maintenance section.

Refrigerant Management

Displays the amount of refrigerant recovered, charged, and replenished (for the life of the machine), and filtered since the last filter change.

Select Language

Select a language for screen prompts. English is the default language.

Service Menu

For Robinair service center use only.

Select Units

Program the machine to display units of measure in kilograms or pounds. The default display is kilograms.

Set Date and Time

Program the machine for current date and time.

System Flush

Provides a method of removing oil by forcing liquid refrigerant through an A/C system or components of an A/C system. After flushing, the refrigerant is recovered by the machine and filtered by the recycling circuit.

System Information

Displays the revision level of the software in the machine.

Tank Fill

Use this Setup Menu item to transfer refrigerant from a source tank to the ISV. The tank fill value may be adjusted up or down to suit the user's needs. Refer to Tank Fill in the Maintenance section.

Unit Activation

Failure to register and activate the machine within 30 days of initial startup will cause the machine to lock out and no longer function. Select this Setup Menu item and follow the prompts before the trial period expires.

View Service Data

Displays vehicle information that was entered into the Enter Service Data screen. Vehicles are displayed by date of service and VIN number. The database stores 25 VIN entries.

Unpack the Machine

1. Remove the bandings from the box.
2. Remove the top carton infold, the molded pulp tray, and the angle boards.
3. Remove the sleeve from the bottom carton infold.
4. Gently roll the unit forward and off the pallet, avoiding any sudden shocks to the machine.



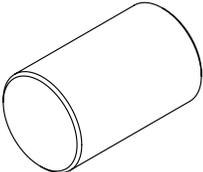
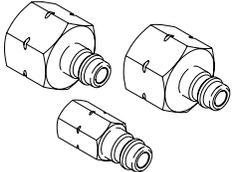
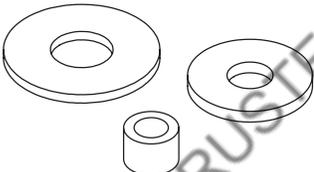
WARNING: To prevent personal injury while working with refrigerant, read and follow the instructions and warnings in this manual, and wear protective equipment such as goggles and gloves.



Unpack the Accessory Kit

Unpack the accessory kit from the box, and remove the plastic packaging.

Accessory Kit

Calibration Weight 533 g		Tank Fill Hose Adapters (3)	
Gaskets (3)		Pouch containing the user manual, warranty card to be filled out and mailed, Material Safety Data Sheets (MSDSs), and service center list.	

Power Up the Machine

1. Unwind the power cord from the handle, and plug it into a correct voltage, grounded outlet.
2. Position the machine so the plug and the power switch are of easy access for the operator. Verify the fan vents on the rear of the machine are not obstructed.
3. Lock the front wheels.
4. Turn the power switch clockwise (CW) to turn the machine ON. See Figure 1.

The machine launches into the initial Setup mode.

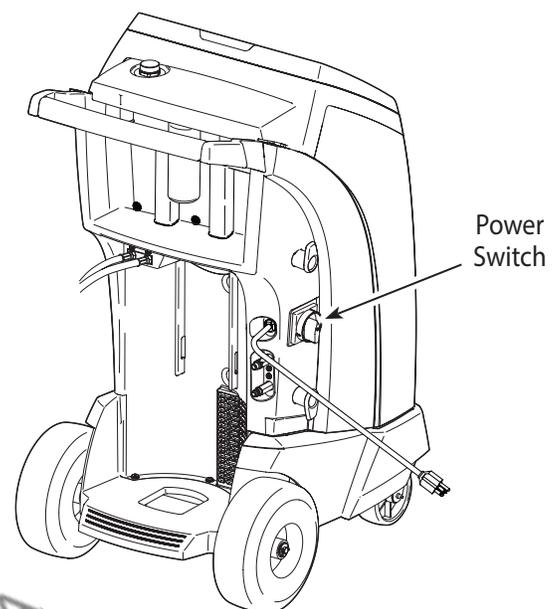


Figure 1

Initial Setup

Select Language

The operator selects the language for the screen prompt displays. English is the default language.

1. Use the UP or DOWN arrow key to toggle through the available languages one line at a time.
2. Press F1 to set the selected language.

Note: To update an existing language or to add a new language, refer to Load Language in the Maintenance section of this manual.

Select Units

The operator sets the display for units of measure. Metric is the default.

1. Use the UP or DOWN arrow key to toggle Imperial or Metric units.
2. Press F1 to choose the displayed unit of measure.

Set Date and Time

Use the arrow keys to move the cursor. Use the keypad to modify the information displayed.

1. Use the UP and DOWN arrow keys to select which item to change: day, month, year, or time.
2. Use the multi-tap interface on the numeric keypad to modify the information:
3. Press F1 to save.

Edit Print Header

This machine has the capability to store recovery, vacuum, charge, and flush information for up to 25 vehicles. The information loaded into Edit Print Header will appear on each printout. If you want to add a printer to your machine, refer to Printer Installation in the Maintenance section of this manual.

1. Enter text by using the arrows and the multi-tap interface on the numeric keypad:
 - LEFT arrow acts as a backspace key.
 - RIGHT arrow moves the cursor to the right.
 - ZERO (0) key acts as a spacebar.
 - UP and DOWN arrows navigate between the rows.
2. Press F1 to continue; press F2 to return to the previous header.

Service Vacuum

At this point the machine clears its internal plumbing before proceeding with setup.

1. Check the vacuum pump oil level sight glass and verify the oil level is at the center of the sight glass.
2. When prompted, connect the service hoses from the machine to their storage ports as shown in Figure 2.
3. Open the service hose couplers by turning the collars clockwise.
4. Press F1. The machine performs an internal clearing of its plumbing, and then sounds an alarm when the process is complete.

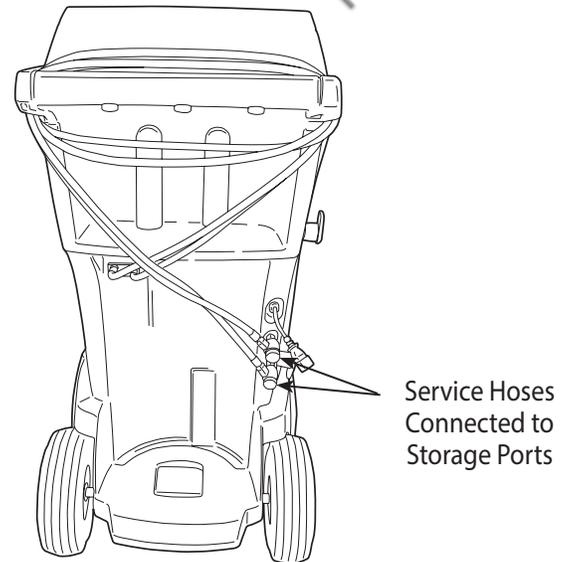


Figure 2

Tank Fill

This procedure transfers refrigerant from a source tank to the internal storage vessel (ISV) in the machine. The maximum capacity of the ISV is 8.5 kg. Use arrow keys to move the cursor; use the keypad to enter a value.

1. The machine displays fields for desired tank fill amount, chargeable refrigerant, and the amount of recoverable refrigerant within the internal storage vessel. Enter the desired tank fill amount. **Note:** Add at least 3.6 kg of refrigerant to ensure enough is available for charging.
2. Connect the low-side (blue) hose to the liquid connector on the source tank.
3. Open the low-side (blue) valve on the control panel.
4. Open the coupler valve on the hose by turning the collar clockwise.
5. Open the source tank valve.
6. Position the source tank in such a way that liquid refrigerant is supplied to the connection.
7. Press F1 to start the tank fill process. The machine begins filling the internal storage vessel (ISV). Add at least 3.6 kg of refrigerant to ensure enough is available for charging. This process takes 15 – 20 minutes.

Note:

Chargeable Amount: The amount of refrigerant in the ISV that can be charged into a vehicle A/C system.

Recoverable Amount: The amount of additional refrigerant that could be recovered into the ISV.

Initial Setup

Tank Fill contd.

8. The machine stops when the designated amount of refrigerant has been transferred to the ISV or when the source tank is empty. Follow the messages on the display screen.
9. Close the low-side (blue) valve on the control panel.
10. Close the hose coupler valve by turning the collar counterclockwise.
11. Close the source tank valve.
12. Press F2 to return to the Setup Menu.

The machine is ready for operation.

Note:

- There is no need to calibrate the scale; it is calibrated at the factory.
- After the tank fill process is complete, the display does not show the same amount as the programmed fill level.

The display shows the amount of refrigerant that is available for charging, which is approximately 0.91 kg less than the total amount of refrigerant in the tank.

Unit Activation

Failure to register and activate the machine within 30 days of initial startup will cause the machine to lock out and no longer function.

1. Select Unit Activation from the Setup Menu. The machine displays

XX DAYS LEFT ON TRIAL
PERIOD TO ACTIVATE UNIT.
ACTIVATE NOW?

2. Press F1 to start the activation process. The machine displays

PERSONAL PRODUCT CODE
XXXXXXXXXXXX
[HTTPS://REGISTER.SERVICESOLUTIONSPORTAL.COM](https://register.servicesolutionsportal.com)
FOR ACTIVATION CODE

3. Open a web browser on a personal computer and enter the web address shown in Step 2.
4. Enter your user name and password, and log in to the website. Note: If you are a first-time user, click the REGISTER button to create a user name and password.
5. Enter the Personal Product Code of your machine to receive an activation code.
6. On the AC1234-3(P), press F1. The machine displays

PERSONAL PRODUCT CODE
XXXXXXXXXXXXXXX
ENTER CODE:
XXXXXXXXXXXXXXXXXXXX

Enter the activation code into the correct field. Note: Enter the code exactly as received. Capitalization is required.

7. Record the activation code on a piece of paper and file it in a secure place. Press F1.
8. The machine displays

ACTIVATION SUCCESSFUL.

Press F1. The AC1234-3(P) has been activated.

Operating Instructions — Enter Service Data

Enter Service Data

After selecting any service function, information about the vehicle may be entered into and stored in the machine's database.

1. The machine displays

ENTER SERVICE DATA NEW RECORD

2. Press F1 to enter a new record, or scroll to select a previously serviced vehicle and press F1. The machine displays

ENTER SERVICE DATA
VIN: _____
MILEAGE: _____
MAKE: _____
MODEL: _____

3. Use the arrow keys to move between rows and the multi-tap keypad to enter text.

Information entered on this screen is stored by date and vehicle identification number (VIN). The database stores the most current 25 entries, with the most recent at the top of the list.

The information will also appear on service summary printouts if using the AC1234-3P machine.



Recover Refrigerant from a Vehicle

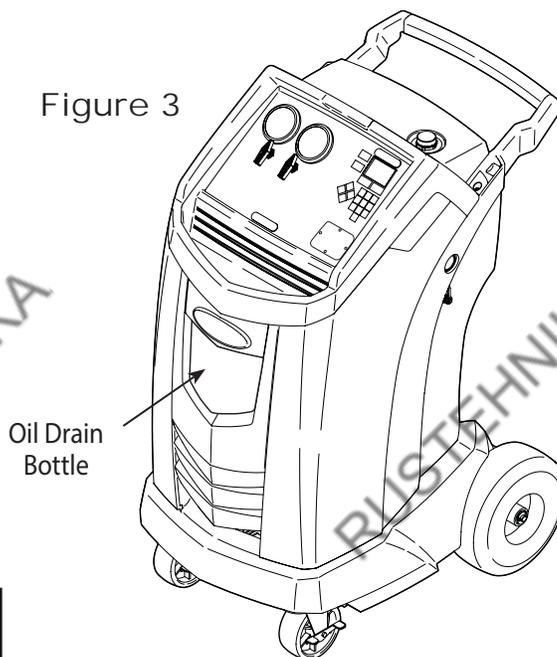
1. Empty the oil drain bottle before starting a recovery.
Remove the oil drain bottle from the machine by pulling the bottle straight down — do not use a twisting or rocking motion. Refer to Figure 3.
2. Connect the high-side (red) and low-side (blue) service hoses to the vehicle A/C system.
3. Open the coupler valves on the hoses by turning the collars clockwise.
4. Open the high-side and low-side panel valves on the machine's control panel.
5. Press the RECOVER button on the control panel.
See Figure 4.
6. Press F1. The machine begins the recovery process. The clicking noise indicates the solenoid is opening and closing — this is normal.
7. The machine runs a self-clearing cycle to clear any internal refrigerant from its internal plumbing.
8. When the system has recovered to -0.45 bar (13 in/Hg), recovery is complete.



WARNING: To prevent personal injury while working with refrigerant, read and follow the instructions and warnings in this manual, and wear protective equipment such as goggles and gloves.



Figure 3



Oil Drain Bottle

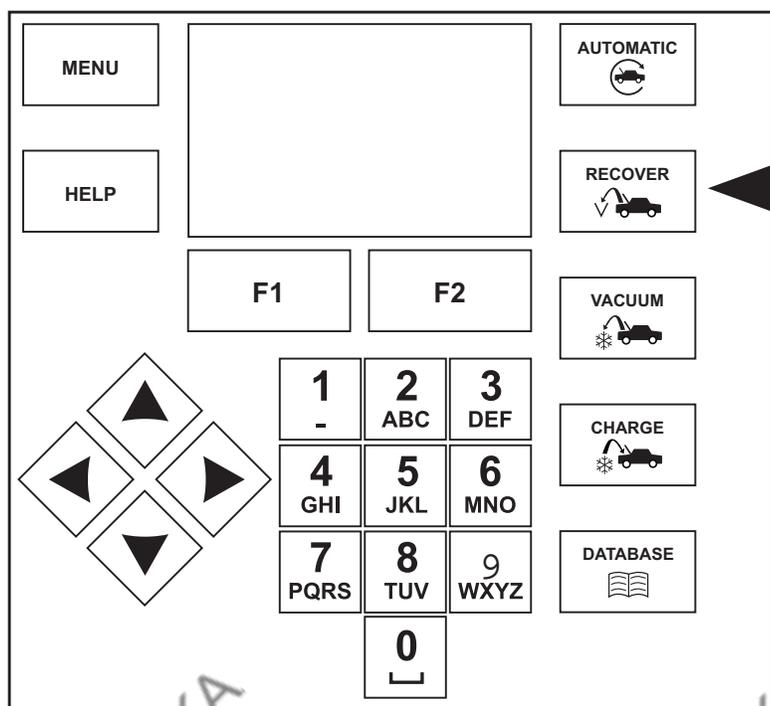


Figure 4

Operating Instructions — Recover

Recover Refrigerant from a Vehicle continued

9. After recovery, the machine will perform an oil drain, which may require up to 90 seconds to complete.
10. After the oil drain is complete, a summary is displayed of gas recovered and oil drained. If your machine is the AC1234-3P, you may print out recovery information and pre-recover diagnostics by selecting F1. Press F2 to return to the Select Action screen.

Note: The displayed recovered weight can vary depending on ambient conditions and should not be used as an indicator of scale accuracy.

11. The amount of oil that was removed from the A/C system is the amount of new oil that should be charged into the A/C system after evacuation is complete.
 - Use only new oil to replace the oil removed during the recycling process.
 - Dispose of used oil according to government regulations.

Recovery is complete.

CAUTION: To prevent loss of refrigerant to the atmosphere, allow the machine to cool for 30 minutes—with the power ON—between recoveries when operating at ambient temperatures above 40°C (104°F).

To automatically rid the ISV tank of non-condensables, an air purge pressure relief is used. Consecutive recoveries at excessively high ambient temperatures can rapidly raise tank pressure, causing an unwanted triggering of this pressure relief. This can potentially result in excessive loss of refrigerant.



Evacuate the Vehicle A/C System

1. Connect the service hoses to the vehicle's service ports.
2. Open the service hose coupler valves by turning the collars clockwise.
3. Open the high-side and low-side panel valves on the machine's control panel.
4. Press VACUUM.
5. Press F1 to accept the 15-minute default evacuation time, or enter a desired vacuum time using the number keys. Press F1.

Note: The vacuum process will halt if pressure rises above .35 bar (5 psi). Recover refrigerant before proceeding.

6. The machine pulls a vacuum on the A/C system for the programmed amount of time.
7. The machine stops when the specified amount of time has elapsed.

If your machine is Model AC1234-3P, you may print out vacuum information by selecting F1.

Press F2 to return to the Select Action screen.



WARNING: To prevent personal injury while working with refrigerant, read and follow the instructions and warnings in this manual, and wear protective equipment such as goggles and gloves.

Operating Instructions — Flush Hoses

Flushing the Hoses

If the next vehicle to be serviced contains a different type of oil than the previous vehicle serviced, it is recommended the service hoses be flushed of residual oil to prevent contamination.

1. Select FLUSH HOSES from the Setup Menu. The machine displays

CONNECT HOSES TO STORAGE PORTS
AND OPEN VALVES.

2. Connect the service hoses to the machine's storage port connections as shown in Figure 5.
3. Open the service hose coupler valves by turning the collars clockwise.
4. Open the high-side and low-side panel valves on the machine's control panel.
5. Press F1 to begin the hose flush process, which runs for three minutes, followed by a recovery.
6. When the hose flushing process is complete, the display reads

FLUSH HOSES
COMPLETE

Press F2 to exit and return to the Setup Menu.

7. Close the coupler valves by turning the collars counterclockwise.
8. Close the panel valves on the machine's control panel.



WARNING: To prevent personal injury while working with refrigerant, read and follow the instructions and warnings in this manual, and wear protective equipment such as goggles and gloves.

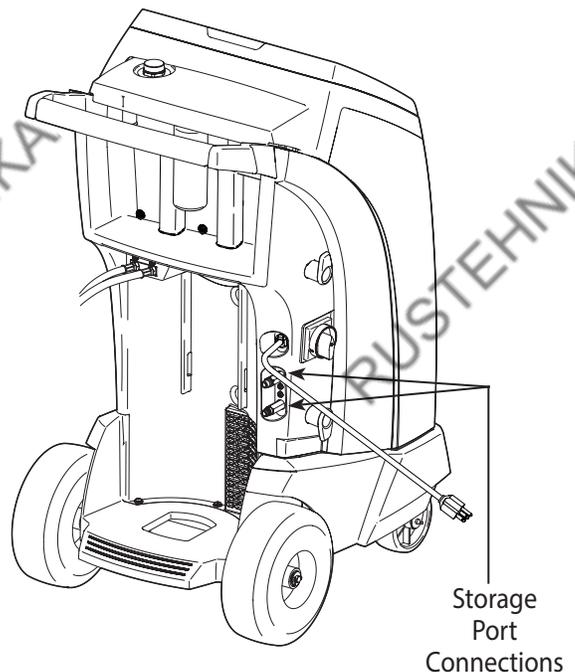


Figure 5



Recharge the Vehicle A/C System

Automatic leak tests are performed during the CHARGE process. To avoid false failures, the temperatures of the vehicle system and the recovery machine should be within ± 5 degrees C.

1. Connect both service hoses to the vehicle's service ports. Open both high-side and low-side panel valves.
2. Press CHARGE. The display shows

REFRIGERANT: 00.0000 KG
OIL: 000 ML
SELECT MENU KEY TO CHANGE UNITS

3. Use the arrow keys and the numeric keypad to enter the desired charge amount.
4. Press F1 to start the charge process. After the machine completes a pre-charge leak test, you will be prompted to select a charge path. Note: Only a high-side or a both-side charge can be completed if also injecting oil.
 - High-side charge: Verify the high-side (red) panel valve and both service hose couplers are open. Close the low-side (blue) panel valve.
 - Low-side charge: Verify the low-side (blue) panel valve and both service hose couplers are open. Close the high-side (red) panel valve.
 - Charge both sides: Verify both panel valves and service hose couplers are open.
5. Press F1 to continue the charge process. Moving or bumping the machine at this point may result in an inaccurate charge. When the charge cycle gets close to the desired weight value, the machine slows down. It will charge, settle, charge again, settle, etc.
6. When prompted, close any open service couplers. However, any open panel valves must remain open. Remove service hoses from the A/C system, and install the hoses on machine's storage ports. Press F1 to clear the hoses.
7. When the CHARGE COMPLETE screen appears, it includes a summary of charge results. If using Model AC1234-3P, you may print out the summary by pressing F1. Press F2 to return to the Select Action screen.
8. Close the panel valves. The vehicle A/C system is now ready for use.



WARNING: To prevent personal injury while working with refrigerant, read and follow the instructions and warnings in this manual, and wear protective equipment such as goggles and gloves.

Note: The charging process differs from vehicle to vehicle. Charge function for vehicles equipped with a single-service fitting should be carried out manually. Refer to the vehicle service manual for specific instructions.

CAUTION: If the low-side (blue) or high-side (red) coupler valve is left open and connected during the hose clearing process, the system will pull refrigerant back out of the vehicle.

Operating Instructions — Automatic



Automatic Function

The AUTOMATIC function allows a user to perform an automatic recovery, vacuum, leak test, and / or charge sequence. A total automatic sequence may take up to an hour to complete.

1. Connect high-side (red) and low-side (blue) service hoses to the A/C system.
2. Open the service hose coupler valves by turning the collars clockwise.
3. Open both the high-side and low-side valves on the machine's control panel.
4. Press AUTOMATIC. Follow the instructions on the display as the machine proceeds through the Automatic cycle. During Charge, follow the Charge-specific instructions elsewhere in this manual.
5. When prompted, close the service hose couplers by turning the collars counterclockwise. However, any open panel valves must remain open.
6. Remove the service hoses from the A/C system, and install the hoses on the machine's storage ports. Press F1 to clear the hoses. This prepares the machine for the next service.
7. When the CHARGE COMPLETE screen appears, the display shows a summary of charge results. If the machine is Model AC1234-3P, you may print out the summary by pressing F1. Press F2 to return to the Select Action screen.
8. Close the panel valves at this time.



WARNING: To prevent personal injury while working with refrigerant, read and follow the instructions and warnings in this manual, and wear protective equipment such as goggles and gloves.

Information About Automatic Function

- The CHARGE function for vehicles equipped with a single-service fitting should be carried out manually according to procedures in the vehicle manufacturer's service manual.
- The amount of oil recovered during RECOVER is automatically injected before the CHARGE cycle.
- If RECOVER was not performed, the amount of oil to be injected may be entered while programming the CHARGE information.
- If problems are encountered during the automatic sequence, an audio alert sounds three times. The sequence remains paused until the user enters a decision regarding how to proceed.
- The pre-charge leak test is automatic.

Operating Instructions — System Flush

System Flush

The SYSTEM FLUSH function is performed using a vehicle manufacturer-approved flushing adapter. Refer to the instructions included with the adapter also as you perform the following steps.

1. Verify the flusher filter and strainer are not plugged.
2. Mount the flusher to the rear of the Robinair machine. Do not make any connections at this time.
3. Remove the oil drain bottle (see Figure 6) from the Robinair machine. Drain the oil bottle, and dispose of the oil according to regulations in your area. Reinstall the oil drain bottle on the machine.
4. Recover all refrigerant from system to be flushed.
5. Note the amount of oil collected during recovery. This amount must be replaced, as well as any oil collected during flush.

Note: The amount of oil collected and reported during System Flush does not include the amount of oil collected during the initial recovery.

6. Verify there is at least 6.0 kg (13.2 lb.) of refrigerant in the Robinair machine. The machine will not be able to complete a system flush without at least 6.0 kg of refrigerant in the ISV.

Note: If the machine does not have at least 6.0 kg (13.2 lb.) of refrigerant on-board, see the section of this manual titled Tank Fill.

7. Disconnect the Robinair machine from the vehicle.
8. Refer to the vehicle service manual, and connect the appropriate flushing adapters and bypasses.
9. Connect the low-side (blue) service hose directly to the filter of the flushing kit.
10. Remove the high-side (red) service coupler, and connect the high-side (red) service hose to the system suction line adapter.
11. Use the supplied hose to connect the system discharge adapter to the flusher inlet.
12. Connect hoses according to the instructions included with the flush kit.
13. Select System Flush from the Setup Menu. The machine displays a prompt to verify the flushing kit is correctly attached and to open both panel valves. Press F1 to continue.
14. Accept the default vacuum time or program a greater amount of time. Press F1.



WARNING: To prevent personal injury while working with refrigerant, read and follow the instructions and warnings in this manual, and wear protective equipment such as goggles and gloves.

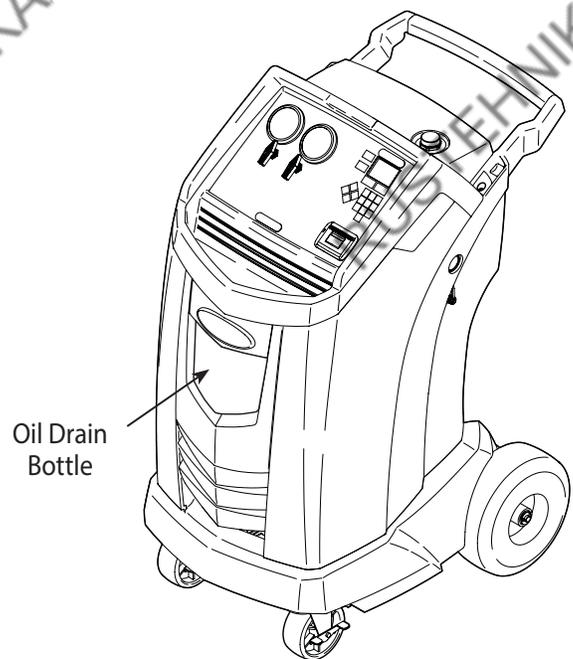


Figure 6

Operating Instructions — System Flush

System Flush contd.

15. When vacuum is complete, a 5-minute pressure test begins. A small amount of refrigerant is charged and recovered through the flushing circuit, while the machine continuously checks for pressure loss within the system.

16. After a successful pressure test, the machine displays

CLOSE LS PANEL VALVE
AND OPEN HS VALVE

Close the low-side panel valve; open the high-side panel valve. Press F1 to begin the flushing cycle.

17. After a small charge, the machine displays

CLOSE HS PANEL VALVE
AND OPEN LS VALVE

Close the high-side panel valve; open the low-side panel valve. Press F1 to continue. The charged refrigerant is recovered through the low-side service hose.

18. Steps 15 and 16 are repeated three more times to ensure an effective system flush. After the fourth cycle, the machine automatically performs an oil drain. After the oil drain is complete, the machine displays the total amount of oil drained during this process:

COMPLETE
OIL: XXXYY

19. After a successful flush and system reassembly, replace any oils lost during the process. Refer to the vehicle service manual for additional instructions.

20. Press F2 to return to the Setup Menu.

 **WARNING:** Do NOT disconnect service couplers during the flushing process. Refrigerant could spray out of the fittings, and exposure may cause personal injury.

CAUTION: The flushing kit has a replaceable filter as well as a debris strainer, both of which can get plugged. At the end of the flush cycle, check the high-side (red) gauge for system pressure, and check the adapter for complete removal of refrigerant.

If pressure exists or refrigerant remains, exit the flushing cycle and enter the recovery mode to recover refrigerant through both the high-side (red) and low-side (blue) hoses. Then service the filters and repeat the flush process.

Maintenance Schedule

Maintenance Task	Recommended Interval
Change filter	After 150 kg (331 lbs.) of refrigerant has been filtered. Refer to Filter Maintenance in the Maintenance section of this manual.
Change vacuum pump oil	When the filter is replaced. Refer to Change Vacuum Pump Oil in the Maintenance section of this manual.
Check casters and wheels for ease of operation	Monthly.
Check internal scale calibration	Monthly. Refer to Calibration Check in the Maintenance section of this manual.
Check machine for leaks	Monthly. Check hoses and connections for leakage. Disconnect power, remove the shroud, and use an electronic leak detector to check fittings.
Clean air intake panels (see Figure 7)	Monthly. Use a clean cloth.
Clean cabinet and control panel	Monthly. Use a clean cloth.
Inspect power cord and hoses for cuts and abrasions	Daily.
Lubricate wheel bearings and inspect brake components	Monthly.
Pressure Test	Every 10 years — performed by an authorized Robinair service center.

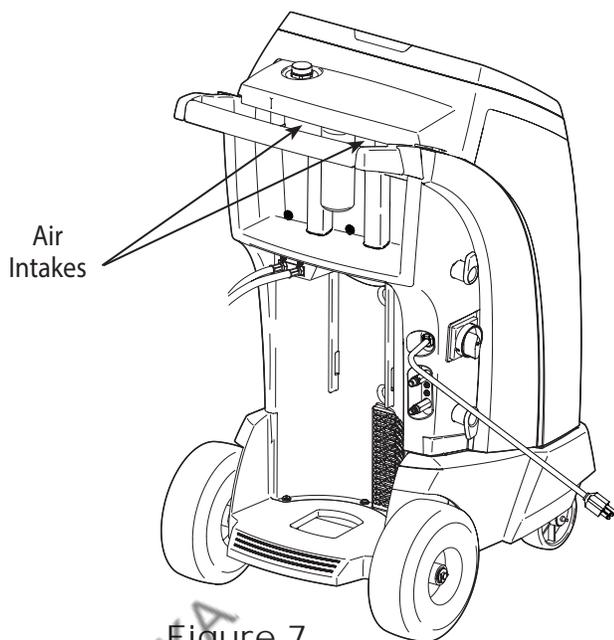


Figure 7



WARNING: To prevent personal injury,



- Only qualified personnel may perform inspections and repairs to this machine.



- Read and follow instructions and warnings in this manual.



- Wear protective equipment such as goggles and gloves.

Maintenance

Electrical Protection

The machine is equipped with a circuit breaker on the center divider as shown in Figure 8. If the breaker trips, its button will pop out. A tripped circuit breaker will cause the machine to lose all power.

1. Remove the front shroud.
2. Press the circuit breaker button to reset.
3. Replace the shroud.

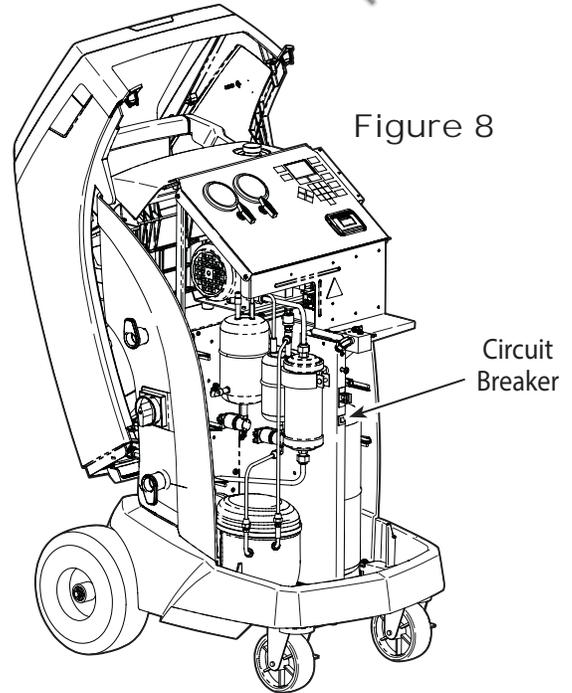


Figure 8

Lockout / Tag Out

To ensure that unauthorized personnel cannot run the machine, use the Lockout / Tag Out feature. Refer to Figure 9.

1. Turn the Power / Lockout / Tag Out lever counterclockwise (CCW).
2. Insert a padlock or other item through the aligned holes so the lever cannot be turned clockwise (CW) to start the machine.

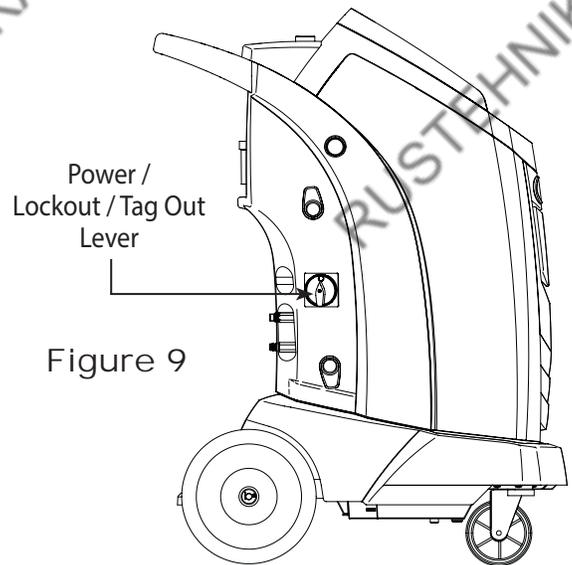


Figure 9

Load Language

Use the following instructions to add or update a language from an SD card.

1. Choose SELECT LANGUAGE from the Setup Menu.
2. Use the arrow keys to scroll to LOAD NEW. Press F1.
3. Insert the SD card containing the language data into the side panel on the machine. See Figure 10.
4. Follow the prompts to select the language to load or update. If loading a new language, it will be necessary to select which language to replace.

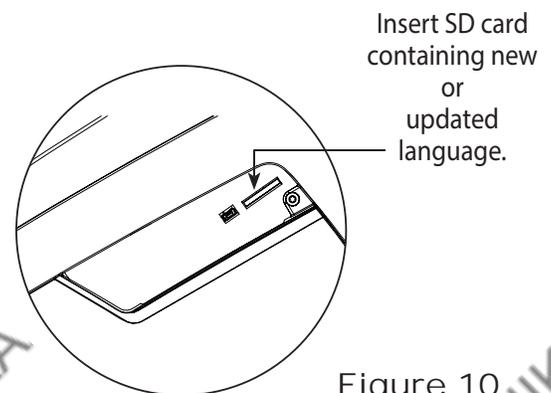


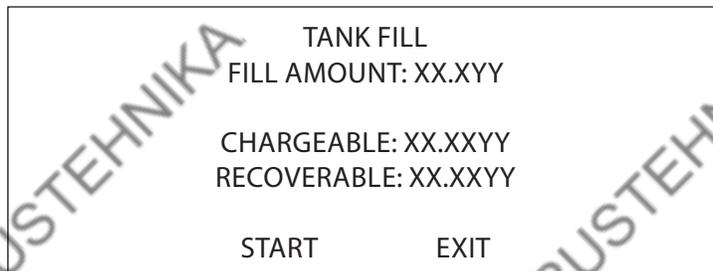
Figure 10

Tank Fill

This menu item is used to transfer refrigerant from a source tank to the ISV.

The maximum capacity of the internal storage vessel (ISV) is 8.5 kg. Use the arrow keys to move the cursor; use the keypad to enter a value. Note: Add at least 3.6 kg of refrigerant to ensure enough is available for charging.

1. Connect the low-side (blue) hose to the liquid connector on a full source tank.
2. Open the low-side (blue) panel valve on the control panel of the machine.
3. Position the source tank in such a way that liquid refrigerant is supplied to the connection. Open the source tank valve.
4. Select TANK FILL from the Setup Menu. The machine displays



5. Enter the quantity to recover, and press F1. Add at least 3.6 kg of refrigerant to ensure enough is available for charging.
6. The machine begins filling the ISV and automatically stops when the preset tank fill level is reached. To stop the tank fill before the preset level is reached, press F2 to pause. An option to exit will appear on the display.
7. Once complete, close the service hose coupler valve and the panel valve on the control panel. Remove the hose from the source tank.

Maintenance

Filter Maintenance

The filter is designed to trap acid and particulates, and to remove moisture from refrigerant. To meet the mandate for adequate moisture and contaminant removal, the filter must be replaced after 150 kg (331 lbs.) of refrigerant has been filtered.

The machine gives a warning when 125 kg (276 lbs.) of the filter capacity has been used; the machine locks down when the 150 kg (331 lb.) filter capacity has been reached and will no longer function.

Check Remaining Filter Capacity

1. Select FILTER MAINTENANCE from the Setup Menu or when the machine prompts. The machine displays

REMAINING CAPACITY:
XXX.XYY
REPLACE FILTER NOW?

The machine displays the amount of filter capacity remaining until the machine locks down.

2. Press F1 to change the filter; press F2 to resume using the machine.

 **WARNING:** The components in the machine are under high pressure. To prevent personal injury, change the filter only when the machine prompts.

Replace the Filter

1. If F1 was selected to change the filter, the machine prompts for the new filter code to be entered.

ENTER NEW FILTER SERIAL NUMBER

Use the keypad to enter the serial number that appears on the new filter and press F1 to continue.

Note: If INVALID SERIAL NUMBER is displayed, the serial number has been incorrectly entered, or the filter has already been used in this machine.



WARNING: To prevent personal injury while working with refrigerant, read and follow the instructions and warnings in this manual, and wear protective equipment such as goggles and gloves.

Caution: To prevent equipment damage, use only authentic Robinair No. 34728 filters in this machine. All performance tests and claims are based on using this specific filter.

Filter Maintenance continued

2. The machine clears the existing filter and then displays

TURN POWER OFF AND REPLACE FILTER

Shut off the machine. Remove the oil bottle. Remove the four screws holding the shroud. See Figure 11.

3. Hang the shroud on the back of the machine as shown in Figure 12.
4. Remove the filter by turning the nuts on the attached copper tubing counterclockwise. Disconnect the nuts from the filter and move the tubing out of the way.
5. Loosen the fastening screw on the filter locking collar. Pull the filter out of the locking collar.
6. Verify the o-rings on the copper tubing are lubricated and not damaged. (The o-rings have been lubricated using ISO6743-3 DVA / DVC oil.)
7. Install the new filter within the locking collar and tighten the collar fastening screw. The filter **MUST** be oriented so the direction of flow is downward, from top to bottom.
8. Connect the top and bottom copper tubing to the filter. Tighten the fastening nuts to 20 N•m.
9. Recycle the filter that was removed from the machine according to the laws in your jurisdiction.

Remove the four screws holding the shroud.

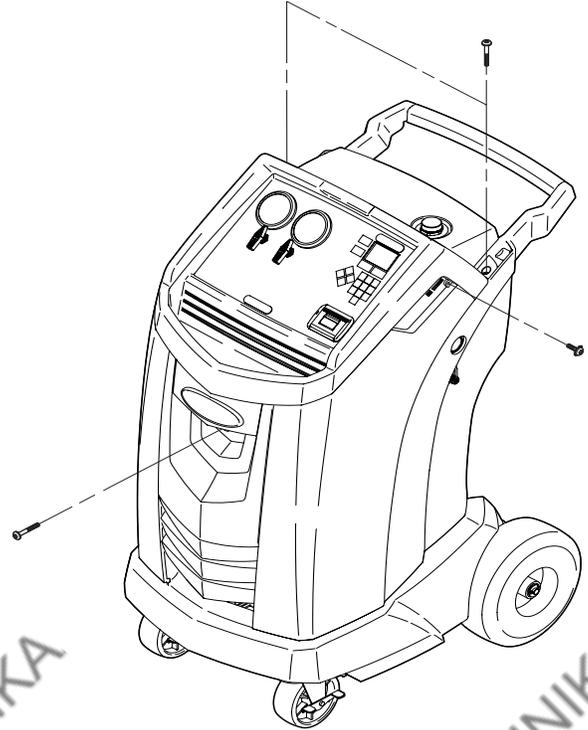


Figure 11

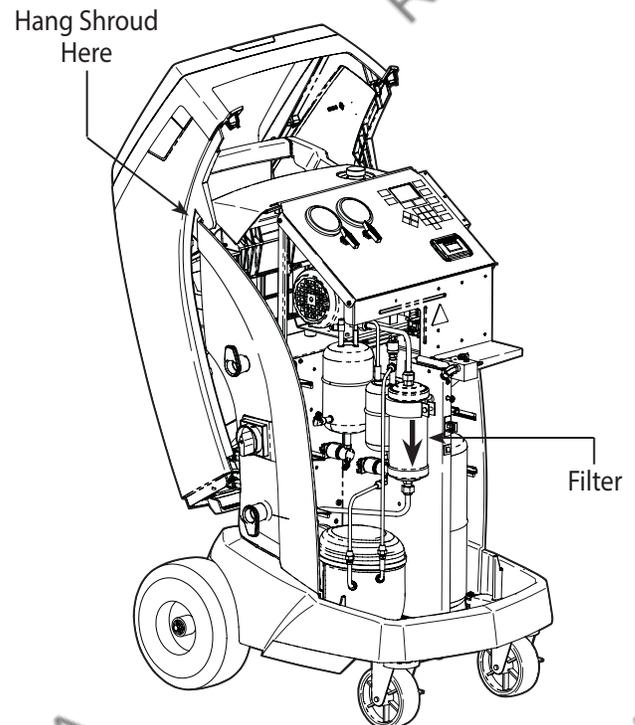


Figure 12

Maintenance

Calibration Check

This function is used to ensure the machine's internal scale is always calibrated. During this test, use only the calibration weight that is provided with the machine.

1. Refer to Figure 13, and verify the magnet on the bottom of the machine is clean.
2. Select CALIBRATION CHECK from the Setup Menu. The machine displays

PLACE CALIBRATION WEIGHT ON MAGNET LOCATED ON THE BOTTOM OF MACHINE

3. Attach the calibration weight to the magnet on the bottom of the machine. Select F1 to continue.
4. The machine displays

REMOVE CALIBRATION WEIGHT FROM MAGNET LOCATED ON THE BOTTOM OF MACHINE

Remove the calibration weight from the magnet. Select F1 to continue.

- If the display shows

CALIBRATION PASSED

the scale is in calibration. Select F2 to return to the Setup Menu.

- If the display shows

CALIBRATION FAILED

the scale is out of calibration. You may press F1 again to retry. If calibration continues to fail, contact an authorized Robinair service center for assistance.

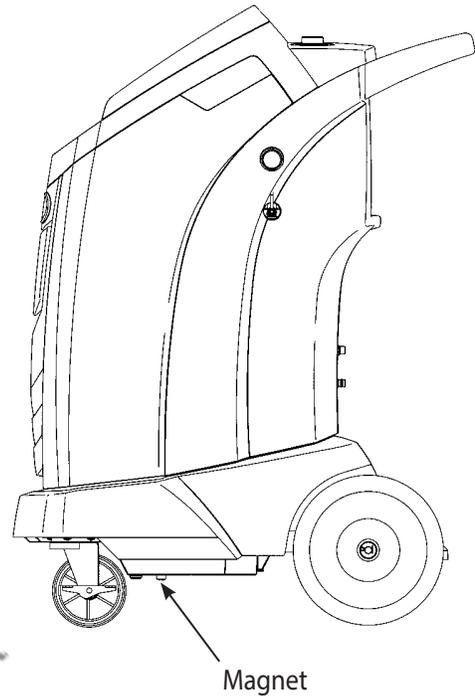


Figure 13

Change Vacuum Pump Oil

1. Select PUMP MAINTENANCE from the Setup Menu or when prompted. The display shows how long the vacuum pump has operated since the last oil change.

OIL LIFE REMAINING
XXX:XX (HHH:MM)
CHANGE OIL NOW?

2. Press F1 to change vacuum pump oil. If the machine displays

WARMING OIL
PLEASE WAIT

allow the vacuum pump to run for two minutes to warm up the oil. If the oil is already warm, the display shows

DRAIN USED OIL FROM PUMP
AND REPLACE WITH 150 ML OF NEW OIL

3. SLOWLY open the oil fill cap to verify there is no pressure in the machine. Then carefully remove the cap. See Figure 14.
4. Remove the oil drain fitting cap and drain the oil into a suitable container for disposal. Replace the cap and close tightly. Press F1 to continue.
5. The machine displays

FILL PUMP TO CENTER
OF SIGHT GLASS WITH NEW OIL

Slowly add vacuum pump oil to the pump through the oil fill port until the oil reaches the center of the sight glass. Install the cap on the oil fill port and close tightly. Press F1 to return to the Pump Maintenance screen.

⚠ CAUTION: To prevent personal injury, do NOT operate the machine at any other time without the oil fill port cap installed, because the vacuum pump is pressurized during normal operation.

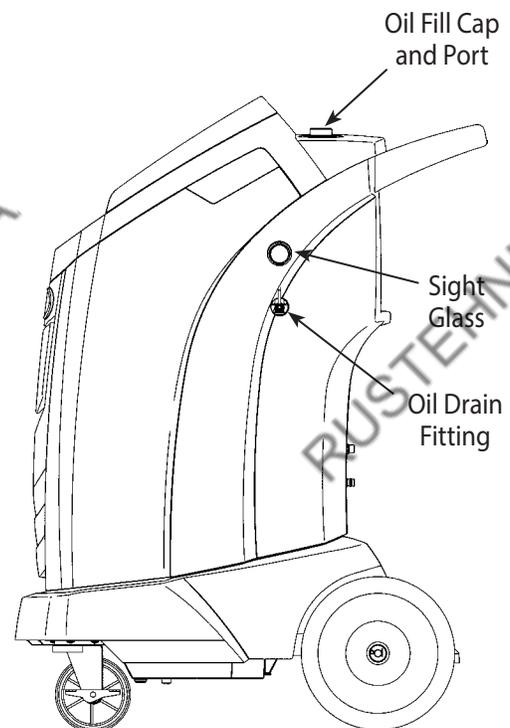


Figure 14

Caution: It is the responsibility of the user to monitor vacuum pump oil level and clarity. If contaminated oil is not removed from the vacuum pump and replaced, the vacuum pump will be permanently damaged.

Maintenance

Leak Check

To ensure a safe, environmentally friendly, and economic operation, the unit performs a software-controlled self-test in regular intervals (every 10 days). During this test, the components containing refrigerant are pressurized and monitored for pressure decay, which could indicate a leak.

1. At startup, if a Leak Check is required, the machine displays

CONNECT HOSES TO STORAGE PORTS
AND OPEN VALVES

Connect the service hose couplers to the storage ports at the rear of the machine. Open the couplers by turning the collars clockwise.

2. Open the high-side and low-side panel valves on the machine's control panel. Press F1 to start. The machine performs a self-recovery and displays

RECOVER IN PROGRESS

3. The machine performs a 30-second vacuum test and displays

VACUUM CHECK IN PROGRESS

If the vacuum test fails, the machine will prompt to check for leaks.

4. Once the machine passes the vacuum test, a controlled pressure is applied to its internal components. The machine displays

PRESSURE CHECK IN PROGRESS

Pressure is held for five minutes and monitored for decay. Minutes and seconds count down on the display.

- If an acceptable pressure decay is detected, the machine recovers refrigerant and returns to the Setup Menu, ready for normal operation.
- If an unacceptable pressure decay is detected, the machine will prompt to check for leaks. Take the machine to an authorized Robinair service center for repair.

Note:

- Leak Check may also be selected at any time from the Setup Menu.
- If you decline to run the Leak Check when prompted, the machine will continue to prompt for the test at each power-up until the test is completed.



WARNING: To prevent personal injury should the machine require transport to a local Robinair service center, follow local government regulations regarding transportation of equipment containing R1234yf.

Oil Inject Adjust

The oil inject functionality in this machine is automatic and timing-based. Many variables can affect the accuracy.

If you are using very high or low viscosity oils, or if you are operating at very high or low ambient temperatures, an adjustment of the oil inject correction factor may be necessary for the machine to produce accurate oil injections.

The default correction is set at 0.25 and is based on a PAG100 oil viscosity and a 25°C ambient temperature.

1. To adjust the correction factor of Oil Inject, select OIL INJECT ADJUST from the Setup Menu. The machine displays

X.XX INCREASE TO INJECT MORE OIL OR DECREASE TO INJECT LESS OIL
--

2. Using the arrow keys and numeric keypad, enter in a desired correction factor. Acceptable values consist of any number between 0.01 and 1.00.
 - A correction factor of 1.00 lengthens the oil inject duration time, increasing the amount of oil injected.
 - A correction factor of 0.01 shortens the oil inject duration time, decreasing the amount of oil injected.
3. Press F1 to save the value; press F2 to return to the Setup Menu without saving the value.

CAUTION: To avoid chemical incompatibilities with the internal components of the machine, use only oils approved by the vehicle manufacturer. Problems resulting from the use of non-approved oils will cancel the warranty.

Maintenance

Edit Print Header

To make changes to text that appears in this screen:

1. In the Setup Menu, select Edit Print Header.
2. The cursor is in the first field. Update the text by using the arrows and the multi-tap interface on the numeric keypad:
 - LEFT arrow acts as a backspace key.
 - RIGHT arrow moves the cursor to the right.
 - ZERO (0) key acts as a spacebar.
 - UP and DOWN arrows navigate between the rows.
3. Press F1 to save the changes and return to the Setup Menu; press F2 to return to the previous header and exit to the Setup Menu.

Replace Printer Paper (AC1234-3P only)

To install a new paper roll in the printer:

1. Remove the cover on the printer by pulling out on the tab as shown in Figure 15.
2. Remove the paper core.
3. Install the new roll of paper with the end of the paper at the top of the roll.
4. Assemble the cover onto the printer with the leading edge of the paper over the roller.

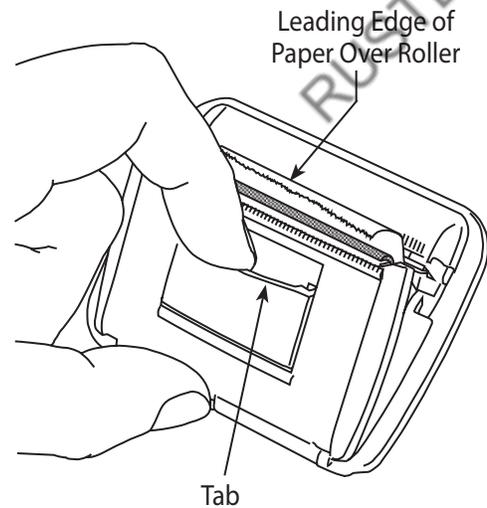


Figure 15

Install a Printer

A printer may be purchased and installed on any model not containing a printer. All models of the machine already contain a printer connection harness that is ready for use. To install a printer:

1. Turn OFF the machine and disconnect it from its power source.
2. Remove the four screws holding the shroud. See Figure 11.
3. Hang the shroud on the back of the machine as shown in Figure 12.
4. Remove the two screws on the top corners of the control panel, allowing the control panel to swivel forward.
5. The printer connection harness is fastened to the back of the cap that is in the printer location cut-out. Remove the zip tie, freeing the harness. The harness will be used in a later step.
6. Remove the cap from the printer location cut-out by pressing on the cap's tabs from the back of the control panel and pushing the cap out of the panel.
7. Remove the two locking arms from the printer by inserting the face of a flathead screwdriver under each tab near the back of its locking arm. Pry the tab outward while sliding the entire arm away from the printer.
8. Place the printer into the cut-out area on the control panel. Press the face of the printer flush to the panel, oriented with the paper coming out at the top of the printer as shown in Figure 15.
9. Replace the printer locking arms from within the inside of the control panel. Push them forward until they come into firm contact with the inside face of the control panel.
10. Locate the free end of printer connection harness which was detached from the cap in Step 5.
11. Attach the two free connectors to the appropriate connectors on the back of the printer.
12. Swivel the control panel back into place and fasten it using the two screws removed in Step 4.
13. Assemble the shroud back onto the machine and install the four screws removed in Step 2.

The printer is now ready for use.

Replacement Parts and Glossary

Replacement Parts

Component	Replacement Part No.
Calibration Weight	SP01100095
Filter	34728
Oil Drain Bottle	SP01100162
Oil Inject Bottle	SP01100025
Printer	SP00100099
Printer Paper (1 roll)	SP00100087
LP Service Coupler	18122
HP Service Coupler	18123
Service Hose (low-side, blue)	70123
Service Hose (high-side, red)	70124
Tank Adapter (1234 <22 HW)	SP01100352
Tank Adapter (1234 DNT)	SP01100353
Tank Adapter (1234 >22 HW)	SP01100354
Vacuum Pump Oil (600 ml)	5604052
Vinyl Dust Cover (optional)	SP01100250



CAUTION: To prevent personal injury, use only those repair parts called out in this parts list. Items found in this parts list have been carefully tested and selected by Robinair.

Glossary

A/C System : The vehicle air conditioning system being serviced.

Evacuation : Moisture and other non-condensables are removed from an A/C system by a vacuum pump.

Internal Storage Vessel (ISV) : The refillable refrigerant storage tank designed specifically for this machine; 8.5 kg (18.7 lb.) capacity.

Leak Test (Vacuum) : Components containing refrigerant are evacuated and monitored for pressure rise, which could indicate a leak.

Machine : Model No. AC1234-3 or AC1234-3P.

Leak Check : Components containing refrigerant are pressurized and monitored for pressure decay, which could indicate a leak.

Recovery / Recycling : Refrigerant is recovered from an A/C system, filtered, and stored in the ISV.

Refrigerant : R1234yf.

Troubleshooting Messages

Display	Cause	Solution
CALIBRATION FAILED	Internal scale is out of calibration.	Press F1 to retry CALIBRATION CHECK. If calibration continues to fail, exit current test and contact a Robinair authorized service center for repair.
CHARGE STALLED! CHECK CONNECTIONS AND VALVES	Refrigerant is stalled in the ISV or the machine.	Verify connections are secure and valves are in correct position.
DATABASE NOT INSTALLED	Machine is not shipped with database installed.	Contact a Robinair authorized service center for more information.
EXCESS TANK WEIGHT	Overfill safety circuit tripped. Machine is locked out because of too much refrigerant in ISV.	Contact a Robinair authorized service center for more information.
FILTER EXHAUSTED FILTER WEIGHT XXX.XYY REPLACE FILTER NOW?	150 kg (331 lbs.) or more refrigerant has been recovered since last filter change.	Refer to Filter Maintenance section of this manual for instructions to change vacuum pump oil.
HIGH PRESSURE IN ISV	Machine is locked out because pressure in ISV is too high, possibly because of excessively high tank temperature.	Allow machine to cool before performing additional A/C service. If problem continues, contact a Robinair authorized service center for more information.
IDENTIFY REFRIGERANT PURITY TEST FAILED	Refrigerant tested is not R1234yf or it is contaminated.	Do not recover contaminated refrigerant into the AC1234-3(P); use an external refrigerant recovery machine dedicated to contaminated refrigerant.
INLET PRESSURE IS TOO HIGH FOR VACUUM	Before the machine begins evacuating the A/C system, it checks for pressure in the system that could damage the vacuum pump. In this case, system pressure is above 0.35 bar gauge.	Press F1. Refer to RECOVER section of this manual to recover refrigerant before proceeding.

Troubleshooting Messages

Display	Cause	Solution
IOE COMMUNICATION FAILED	Failed communication with relay board.	Reset the relay board by pressing F2. If problem continues, contact a Robinair authorized service center for more information.
INSUFFICIENT REFRIGERANT. 6.00 KG REQUIRED FOR SYSTEM FLUSH	Not enough refrigerant in the ISV to perform a system flush.	Refer to Tank Fill in Maintenance section of this manual.
INSUFFICIENT REFRIGERANT AVAILABLE FOR CHARGE SELECTED: XX.XXYY AVAILABLE: XX.XXYY	After a desired weight is entered, if the charge process will leave less than .91 kg (2 lbs.) of refrigerant in ISV, the charge function will not start.	Refer to Tank Fill in the Maintenance section of this manual.
INVALID CODE	Activation code entered into the machine is not correct.	Verify activation code is entered exactly as received. Capitalization is required.
INVALID SERIAL NUMBER!	Filter serial number entered into the machine is not correct.	Verify serial number entered matches serial number on filter. Verify filter has not been used on machine previously.
LEAK TEST FAILED	A leak in the vehicle A/C system.	Exit current test and perform repairs on the vehicle A/C system.
NO PRESSURE ON INLETS CHECK CONNECTIONS RECOVER ANYWAY?	System pressure is below 0.35 bar gauge.	Verify high-side (red) and low-side (blue) hoses are connected and coupler valves open. Press F1 to recover; press F2 to bypass RECOVER and proceed to VACUUM.
OIL DRAIN HALTED	Accumulator pressure failed to rise above 1.10 bar within the minute before an oil drain was supposed to occur.	Adequate pressure is required within the accumulator to force the oil, which has been separated from the refrigerant, out of the system. Press F1 to retry; press F2 to exit.

Troubleshooting Messages

Display	Cause	Solution
OIL LIFE REMAINING XX:XXX CHANGE OIL NOW?	Display shows filter capacity remaining until machine locks down.	Refer to Filter Maintenance section of this manual for instructions to change vacuum pump oil.
OUT OF RANGE ACCUMULATOR PRESSURE	Accumulator pressure transducer is not reading pressure correctly.	Exit current test and contact a Robinair authorized service center for more information.
OUT OF RANGE AIR FLOW	Air flow sensor is not reading air flow correctly.	Exit current test and contact a Robinair authorized service center for more information.
OUT OF RANGE HS PRESSURE	High-side pressure transducer is not reading pressure correctly.	Exit current test and contact a Robinair authorized service center for more information.
OUT OF RANGE ISV PRESSURE	Internal storage vessel pressure transducer is not reading pressure correctly.	Exit current test and contact a Robinair authorized service center for more information.
OUT OF RANGE ISV TEMPERATURE	Internal storage vessel temperature sensor is not reading temperature correctly.	Exit current test and contact a Robinair authorized service center for more information.
OUT OF RANGE LOW SIDE PRESSURE	Low-side pressure transducer is not reading pressure correctly.	Exit current test and contact a Robinair authorized service center for more information.
PRESSURE TEST FAILED CHECK FOR LEAKS	A leak in vehicle A/C system.	Exit current test and perform repairs on vehicle A/C system.
SERIAL NUMBER HAS ALREADY BEEN USED	Filter serial number entered into the machine is not correct.	Filter has already been used on this machine. Obtain new authentic Robinair filter No. 34728.
SOURCE TANK IS EMPTY	Refrigerant cannot be transferred to the ISV because the source tank is empty.	Exit current test and replace the source tank.
TANK FULL. REMOVE REFRIGERANT BEFORE CONTINUING	ISV is too full to recover additional refrigerant.	Perform a charge process to remove refrigerant from ISV before any further recovery attempts.

Troubleshooting Messages

Display	Cause	Solution
TRIAL PERIOD EXPIRED UNIT ACTIVATION REQUIRED TO CONTINUE USE	Failure to register and activate the machine within 30 days of initial startup will cause the machine to lock out and no longer function.	Press F1 and refer to Unit Activation section in this manual to register the machine.
VACUUM TEST FAILED. CHECK FOR LEAKS	A leak in the vehicle A/C system.	Exit current test and perform repairs on vehicle A/C system.

Storage and Transportation of Equipment

Storage

Never leave the machine live if an immediate use is not scheduled.

1. Disconnect the machine from its power supply.
2. Loop the service hoses around the handle twice and attach them to the storage ports. See Figure 16.
3. Store the machine in a dry, stable area, away from flames and hot surfaces. The temperature of the storage area should range between -25°C and 60°C .
4. Lock the front wheels.

Transportation of Equipment



WARNING: To prevent personal injury should the machine require transport to a local Robinair service center, follow local government regulations regarding transportation of equipment containing R1234yf.

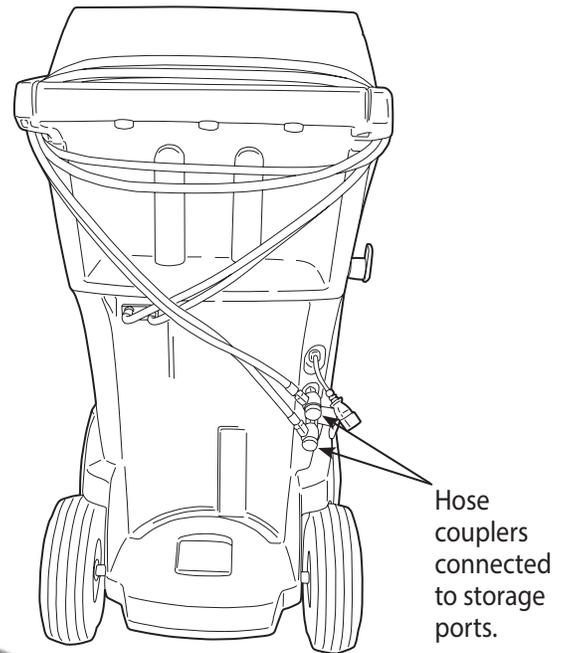


Figure 16

Disposal of Equipment

Disposal of Equipment



At the end of its useful life, dispose of the Robinair No. AC1234-3(P) machine according to current government regulations.

- Public administration and producers of electrical / electronic equipment (EEE) are involved in facilitating the processes of the re-use and recovery of waste electrical / electronic equipment through the organization of collection activities and the use of appropriate planning arrangements.
- In accordance with European Directive WEEE 2002/96/EC, special collection sites are available for waste electrical / electronic equipment.
- Do not dispose of this equipment as miscellaneous solid municipal waste. Arrange to have it collected separately. Unauthorized disposal of waste electrical / electronic equipment is punishable by law with appropriate penalties.
- The reuse and correct recycling of electrical / electronic equipment (EEE) is required for the protection of the environment and the well-being of humans.

Disposal of Recycled Materials

It is the responsibility of the user to determine if a material is a hazardous waste at the time of disposal. The user must ensure compliance with all applicable laws and regulations.

1. Deliver the refrigerant recovered from A/C systems to gas suppliers for recycling or disposal.
2. Deliver the lubricants extracted from A/C systems to used oil collection centers.
3. Review the laws in your jurisdiction to determine correct disposal procedures for pump oil.

Disposal of the Machine

1. Detach and vent the gas from the machine circuit. Completely discharge the refrigerant tank in compliance with current government regulations.
2. Deliver the machine to an appropriate disposal center.

Disposal of Batteries



At the end of their useful life, dispose of batteries according to current government regulations. Batteries must be recycled or disposed of correctly. Do not throw away batteries as part of normal refuse disposal.



To prevent personal injury, do not throw batteries into open flame.

ROBINAIR®

Original-Betriebsanleitung



Modell AC1234-3
Modell AC1234-3P

Klimaservicegerät für Klimaanlage mit
Kältemittel R1234yf



Beschreibung: Klimageservicegerät für Klimaanlage mit Kältemittel R1234yf

PRODUKTINFORMATION

Notieren Sie die Seriennummer und das Baujahr des Gerätes für ein zukünftiges Nachschlagen. Diese Kenndaten sind auf dem Typenschild am Gerät angegeben.

AC1234-3

Seriennummer: _____ Baujahr: _____

HAFTUNGSAUSSCHLUSS: Alle Angaben, Abbildungen und technischen Daten in diesem Handbuch basieren auf aktuellen, zum Zeitpunkt der Veröffentlichung verfügbaren Informationen. Der Hersteller behält sich das Recht auf jederzeitige Änderungen vor, ohne Einzelpersonen oder Unternehmen vorab über die Überarbeitungen bzw. Änderungen in Kenntnis setzen zu müssen. ROBINAIR haftet weder für Fehler in diesem Handbuch noch für direkte Schäden oder Folgeschäden (einschließlich des entgangenen Gewinns) im Zusammenhang mit der Lieferung, den Leistungsmerkmalen und dem Gebrauch des Geräts. Fordern Sie bei Bedarf zusätzliche Hinweise zu Unfall- und Gesundheitsschutz bei den zuständigen Behörden und dem Fahrzeug-, Kältemittel- und Schmierstoffhersteller an.

Sicherheitshinweise	2
Einführung	
Technische Daten	5
Funktionen von Modell AC1234-3(P)	6
Funktionen des Bedienfeldes	7
Funktionen des Setup-Menüs	8
Inbetriebnahme	
Auspacken des Geräts	9
Auspacken des Zubehörkits	9
Einschalten des Gerätes	9
Sprache wählen	10
Maßeinheiten wählen	10
Datum und Uhrzeit einstellen	10
Kopfzeile des Ausdrucks bearbeiten	10
Evakuieren	11
Tankfüllen	11
Aktivierung des Geräts	13
Bedienungsanleitung	
Eingabe der Servicedaten	14
Absaugen	15
Vakuum	17
Schläuche spülen	18
Füllen	19
Automatik	20
System spülen	21
Wartung	
Wartungsplan	13
Elektrische Sicherungen	24
Hauptschalter	24
Sprache laden	24
Tankfüllen	25
Filterwartung	26
Kalibrierungsprüfung	28
Ölwechsel der Vakuumpumpe	29
Lecksuche	30
Einstellen der Öleinspritzung	31
Kopfzeile des Ausdrucks bearbeiten	32
Papier am Drucker nachlegen	32
Drucker installieren	33
Ersatzteile	34
Glossar	34
Fehlermeldungen	35
Lagern und Transportieren des Geräts	39
Entsorgen des Geräts	40

Sicherheitshinweise

Erläuterung der Sicherheits-Signalwörter in diesem Handbuch

Das Signalwort eines Warnhinweises kennzeichnet das Ausmaß bzw. den Grad der Gefährdung.



GEFAHR: Weist auf eine unmittelbare Gefährdung hin, die bei Nichtbeachtung zu schweren oder tödlichen Verletzungen führt.



WARNUNG: Weist auf eine potenzielle Gefährdung hin, die bei Nichtbeachtung zu schweren oder tödlichen Verletzungen führen kann.



ACHTUNG: Weist auf eine potenzielle Gefährdung hin, die bei Nichtbeachtung zu leichten oder mittelschweren Verletzungen führen kann.

ACHTUNG: Weist bei einer Verwendung ohne Warnsymbol auf eine potenzielle Gefährdung hin, die bei Nichtbeachtung zu Sachschäden führen kann.

Diese Sicherheitshinweise beziehen sich auf Situationen, die Robinair bekannt sind. Robinair kann jedoch nicht alle erdenklichen Gefahren kennen, beurteilen und davor warnen. Sie müssen selbst sicherstellen, dass Ihre persönliche Sicherheit nicht durch Betriebszustände und Arbeitsverfahren gefährdet wird.

Erläuterung der Sicherheitsaufkleber von Modell AC1234-3(P)

	Die Bedienungsanleitung gründlich durchlesen und einhalten.
	Dieses Gerät bei Regen oder hoher Luftfeuchtigkeit nicht im Freien verwenden.
	Schutzhandschuhe tragen.
	Schutzbrille tragen.
	Wechselspannung.
	Schutzerdung.
	Gefahr eines elektrischen Schlags.



WARNUNG: Verhindern Sie Unfälle - beachten Sie dazu folgende Hinweise.



DAS GERÄT DARF NUR VON FACHPERSONAL BEDIENT WERDEN. Lesen Sie vor der Inbetriebnahme des Gerätes die Anleitung und Warnhinweise in diesem Handbuch und halten Sie sie ein. Der Bediener muss sich mit Klima- und Kühlanlagen, Kältemitteln und den Gefahren an Druckgeräten auskennen. Falls der Bediener dieses Handbuch nicht lesen kann, müssen ihm die Betriebsanleitung und die Sicherheitshinweise in seiner Muttersprache vorgelesen und erklärt werden.



GEBRAUCHEN SIE DAS KLIMASERVICEGERÄT AC1234-3 NUR IN DER IN DIESEM HANDBUCH BESCHRIEBENEN ART UND WEISE. Durch einen nicht bestimmungsgemäßen Gebrauch können das Gerät beschädigt und dessen Sicherheitseinrichtungen außer Kraft gesetzt werden.



DER DRUCKBEHÄLTER ENTHÄLT FLÜSSIGES KÄLTEMITTEL. Der Kältemitteltank darf nicht überfüllt werden, da anderenfalls Explosionsgefahr und Gefahr für Leib und Leben besteht. Verwenden Sie zum Absaugen von Kältemittel keine Einwegbehälter; es dürfen nur geprüfte wiederauffüllbare Behälter mit Überdruckventil verwendet werden.



SCHLÄUCHE KÖNNEN UNTER DRUCK STEHENDES FLÜSSIGES KÄLTEMITTEL ENTHALTEN. Ein Kontakt mit Kältemittel kann schwere Verletzungen wie Erblinden und Erfrierungen der Haut verursachen. Tragen Sie die vorgeschriebene Schutzausrüstung einschließlich einer Schutzbrille und Schutzhandschuhe. Kuppeln Sie die Schläuche stets besonders vorsichtig ab. Vor dem Abkuppeln des Gerätes muss der Vorgang vollständig abgeschlossen sein, damit kein Kältemittel in die Atmosphäre freigesetzt wird.



ATMEN SIE KEIN KÄLTEMITTEL UND KEINE ÖLDÄMPFE ODER ÖLNEBEL EIN. R1234yf reduziert den Sauerstoff in der Atemluft, was Benommenheit und Schwindel bewirken kann. Hohe Konzentrationen von R1234yf verursachen Erstickung, Verletzungen an Augen, Nase, Rachen und Lunge und können das zentrale Nervensystem schädigen. Betreiben Sie das Gerät nur in Räumen mit einer Zwangsbelüftung, die mindestens einen vollständigen Luftwechsel pro Stunde gewährleistet. Falls unbeabsichtigterweise Kältemittel aus dem System ausgetreten ist, müssen Sie den Arbeitsbereich vor der Wiederaufnahme der Servicearbeiten gründlich lüften.

LASSEN SIE KEIN KÄLTEMITTEL IN DIE UMGEBUNGSLUFT ENTWEICHEN. Diese Sicherheitsvorschrift soll verhindern, dass Personen in der Arbeitsumgebung dem Kältemittel ausgesetzt sind.



ZUR MINDERUNG DER BRANDGEFAHR: Betreiben Sie das Gerät nicht in der Nähe von ausgelaufenem Benzin, offenen Benzinkanistern oder Kanistern mit sonstigen entzündlichen Stoffen.

ZUR MINDERUNG DER BRANDGEFAHR: Verwenden Sie kein Verlängerungskabel. Das Verlängerungskabel kann sich überhitzen und einen Brand verursachen. Verwenden Sie im Bedarfsfall ein möglichst kurzes Verlängerungskabel mit einem Mindestquerschnitt 14 AWG.

ZUR MINDERUNG DER BRANDGEFAHR: Betreiben Sie das Gerät nicht in der Nähe von offenen Flammen oder heißen Oberflächen. Kältemittel kann sich bei hohen Temperaturen zersetzen und giftige Substanzen in der Umgebung freisetzen, die für den Anwender gesundheitsschädlich sind.

ZUR MINDERUNG DER BRANDGEFAHR: Betreiben Sie das Gerät nicht in Umgebungen, in denen explosive Gase oder Dämpfe auftreten.

ZUR MINDERUNG DER BRANDGEFAHR: Betreiben Sie das Gerät nicht in ATEX-klassifizierten Bereichen. Schützen Sie das Gerät vor allen Einflüssen, die zu Störungen der Elektrik führen oder sonstige Gefahren durch Umwelteinwirkungen verursachen können.



VERWENDEN SIE ZUR DRUCK- ODER LECKAGEPRÜFUNG AM GERÄT BZW. AN DER FAHRZEUGKLIMAANLAGE KEINE DRUCKLUFT. Gemische aus Luft und Kältemittel R1234yf sind bei erhöhtem Druck brennbar. Derartige Gemische sind potenziell gefährlich und können einen Brand oder eine Explosion mit Verletzungen oder Sachschäden verursachen.



DAS GERÄT FÜHRT HOCHSPANNUNG, ES BESTEHT DIE GEFAHR EINES ELEKTRISCHEN SCHLAGES. Bei Berührung besteht Verletzungsgefahr. Unterbrechen Sie vor Wartungsarbeiten am Gerät stets die Stromversorgung.

LASSEN SIE DAS GERÄT NICHT EINGESCHALTET, WENN SEIN GEBRAUCH NICHT UNMITTELBAR BEVORSTEHT. Unterbrechen Sie vor einer längeren Außerbetriebnahme oder Wartungsarbeiten an internen Gerätekomponenten die Stromversorgung. Verriegeln Sie den Hauptschalter, damit Unbefugte das Gerät nicht einschalten oder gebrauchen können.

VERSTELLEN SIE DAS ÜBERDRUCKVENTIL NICHT UND ÄNDERN SIE KEINE SYSTEMEINSTELLUNGEN DER STEUERUNG. Ein nicht bestimmungsgemäßer Gebrauch kann das Gerät beschädigen und die Schutzvorrichtungen des Gerätes außer Kraft setzen.

Sicherheitshinweise

ACHTUNG : Vermeiden Sie Schäden am Gerät - beachten Sie unbedingt folgende Hinweise.



ZUM SCHUTZ VOR KREUZKONTAMINATIONEN DARF DIESES GERÄT NUR MIT KÄLTEMITTEL R1234YF BETRIEBEN WERDEN. Das Gerät ist mit speziellen Anschlüssen für das Absaugen, Recycling und Füllen von Kältemittel R1234yf ausgestattet. Versuchen Sie nicht, das Gerät für andere Kältemittel umzurüsten. Mischen Sie nie unterschiedliche Kältemittel im selben System oder Behälter. Das Mischen verschiedener Kältemittel führt zu schweren Schäden am Gerät und an der Fahrzeugklimaanlage.

VERWENDEN SIE DIESES GERÄT NICHT UNTER DIREKTER SONNENEINSTRALUNG. Stellen Sie das Gerät in ausreichender Entfernung zu Wärmequellen wie z. B. direkter Sonneneinstrahlung auf, da es sich sonst zu stark erwärmt. Wird das Gerät unter normalen Umgebungsbedingungen (10 °C bis 50 °C) betrieben, bleibt der Druck innerhalb des zulässigen Bereichs.



BETRIEBEN SIE DAS GERÄT NICHT BEI REGEN ODER HOHER LUFTFEUCHTIGKEIT IM FREIEN. Schützen Sie das Gerät vor allen Betriebszuständen und Umwelteinflüssen, die zu Störungen der Elektrik führen können.

BETRIEBEN SIE DAS GERÄT NICHT IN EXPLOSIONSGEFÄHRDETEN BEREICHEN.

STELLEN SIE DAS GERÄT AN EINER AUSREICHEND BELEUCHTETEN STELLE AUF EINER EBENEN STANDFLÄCHE AUF, AN DER ES KEINEN SCHWINGUNGEN AUSGESETZT IST, UND ARRETIEREN SIE DIE VORDERRÄDER.

Weitere Informationen zu Arbeitssicherheit und Gesundheitsschutz erhalten Sie beim Kältemittelhersteller.

Sicherheitseinrichtungen

Das Klimateilservicegerät Robinair AC1234-3(P) ist mit folgenden Sicherheitseinrichtungen ausgestattet:

- Überdruckventile.
- Ein Druckwächter stoppt den Kompressor, sobald ein zu hoher Druck erfasst wird.



WARNUNG: Eine Manipulation dieser Sicherheitseinrichtungen kann schwere Verletzungen zur Folge haben.

Prüfung des Kältemitteltanks

Die regelmäßige Überprüfung von Druckgeräten und die Aufzeichnungspflicht sind durch die Gesetze und Vorschriften des Landes geregelt, in dem der Kältemitteltank betrieben wird. Der Betreiber ist für die Einhaltung von Gesetzen, Vorschriften und technischen Richtlinien verantwortlich. Bei Normalbetrieb ist keine Wartung der Kältemitteltanks erforderlich. Weitere Informationen finden Sie im Kapitel „Wartung“ in diesem Handbuch.

Das Klimagesegerät Robinair AC1234-3 ist für einen Einsatz an Fahrzeugklimaanlagen mit R1234yf bestimmt und auf maximale Kompatibilität mit vorhandenen Servicegeräten und Standard-Serviceprozeduren ausgelegt. Das Gerät arbeitet nach dem Singlepass-Verfahren (d. h. das Kältemittel fließt einmal durch einen Filter), das die Spezifikationen für recyceltes Kältemittel erfüllt. Halten Sie die vorgeschriebenen Serviceprozeduren ein, damit kein Kältemittel R-1234yf in die Umwelt gelangt.

Hinweis: Für mit R1234yf befüllte Klimaanlagen sind Spezialöle erforderlich. Die Ölspezifikationen sind im Wartungshandbuch des Klimaanlagenherstellers angegeben.

Technische Daten

Kompressor	1/4 PS
Abmessungen	107 x 61 x 76 cm
Anzeige	3,94 x 6,34 cm VGA-Graphikdisplay
Filter	150 kg
Luftfeuchtigkeit	32,2 °C (90°F), 80% rel. Feuchte, nicht kondensierend
Manometer	Ø 63 mm
Höchstdruck	18 bar
Geräusch	<70 dB(A)
Nennspannung	230 V, 50/60 Hz
Ölbehälter	355 ml
Betriebstemperatur	10 - 50 °C
Leistungsaufnahme	1100 VA
Leistung der Vakuumpumpe	70 L/M (2.5 cfm) 50 Hz
Serviceschläuche	250 cm / SAE J2888
Fassungsvermögen des Tanks	8,50 kg (18.74 lb.)
Gewicht	67 kg

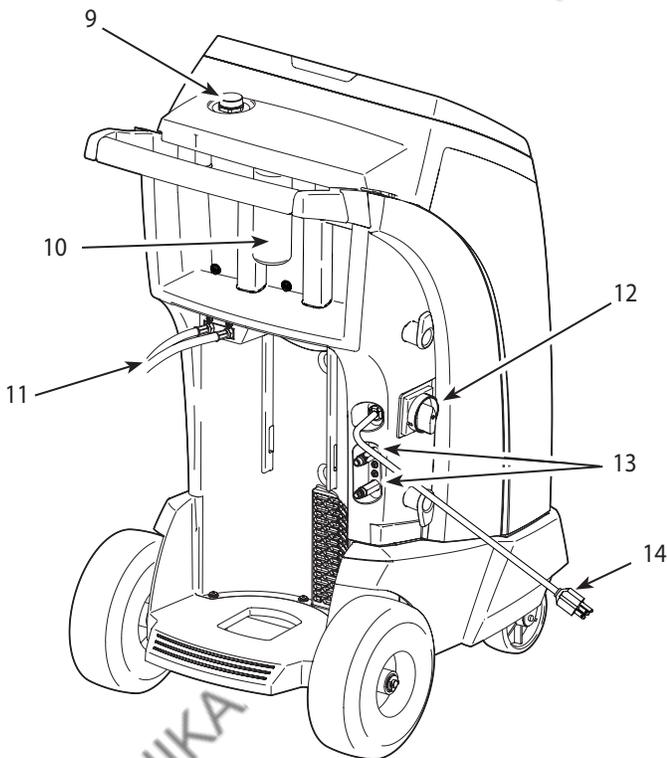
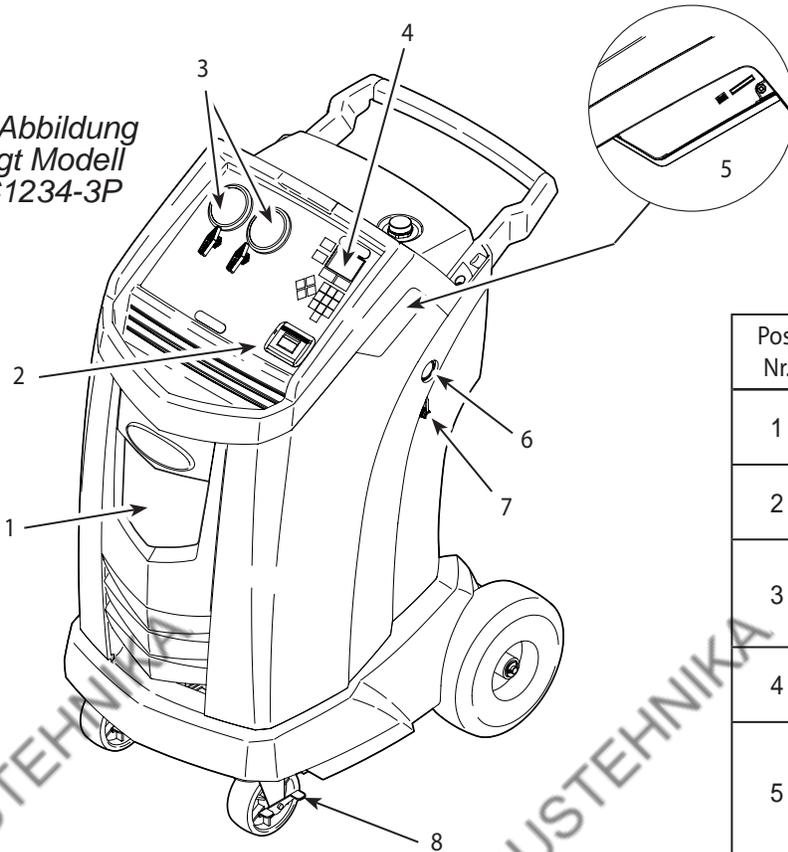


Die Abbildung zeigt Modell AC1234-3

Einführung

Funktionen von Modell AC1234-3(P)

Die Abbildung zeigt Modell AC1234-3P



Pos. Nr.	Bezeichnung
1	Ölablassbehälter
2	Drucker (nur AC1234-3P)
3	Manometer und Bedienfeld-Ventile von Niederdruckseite (blau) und Hochdruckseite (rot)
4	Grafik-Display und Tastenfeld
5	USB- und SD-Speicherkarten-Anschluss; Doppelte Isolierung gegen Hauptleitungen, Prüfspannung 2224 V _{R.M.S.}
6	Ölschauglas der Vakuumpumpe
7	Ölablassventil der Vakuumpumpe
8	Radarretierung
9	Öleinfüllventil mit Verschlusskappe der Vakuumpumpe
10	Behälter für Öleinspritzung
11	Serviceschläuche
12	Verriegelbarer Hauptschalter mit Stellungsanzeige
13	Serviceschlauch-Spülanschlüsse
14	Netzkabel

Bedienfeldtasten

PFEIL NACH OBEN Die Markierung des Menüpunktes zum vorherigen Eintrag verschieben; die Lautstärke des Signaltons erhöhen.

PFEIL NACH UNTEN Die Markierung des Menüpunktes zum nächsten Eintrag verschieben; die Lautstärke des Signaltons verringern.

PFEIL NACH RECHTS Zur nächsten Menüseite scrollen; einen Schnellvorlauf des Videos aufrufen.

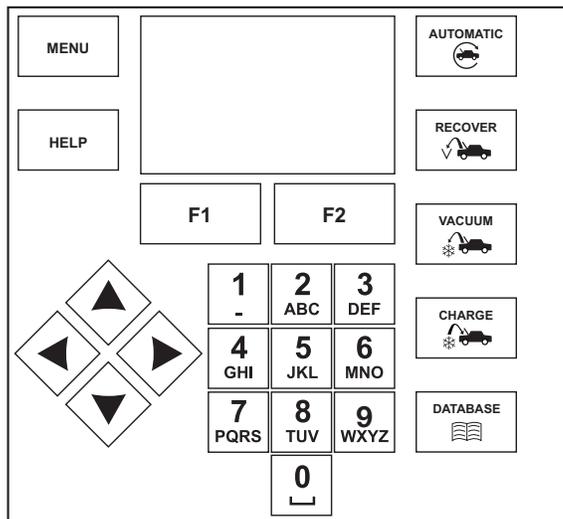
PFEIL NACH LINKS Zur vorherigen Menüseite scrollen; einen Schnelrücklauf des Videos aufrufen.

F1 Eine Auswahl vornehmen oder eine Abfrage beantworten.

F2 Eine Auswahl vornehmen oder eine Abfrage beantworten.

HILFE Zusatzinformationen zum aktuellen Bildschirminhalt anzeigen.

MENÜ Zusätzliche Funktionen und Parameter aufrufen.



Bedienfeldtasten



AUTOMATIK Ruft ein Menü auf, in dem der Anwender einen automatischen Programmablauf aus Absaugen, Vakuum, Dichtheitsprüfung und Füllen einrichten kann.



ABSAUGEN Aktiviert das Absaugen des Kältemittels aus der Fahrzeugklimaanlage.



VAKUUM Aktiviert das Evakuieren der Fahrzeugklimaanlage, bei dem Luft und Feuchtigkeit entfernt werden.



FÜLLEN Aktiviert das Füllen der Fahrzeugklimaanlage mit einer vorprogrammierten Kältemittelmenge.



DATENBANK Liefert Informationen zur Füllkapazität der einzelnen Fahrzeugmodelle.

Einführung

Funktionen des Setup-Menüs

Drücken Sie zum Aufruf der folgenden Funktionen die Menü-Taste und wählen Sie dann den Eintrag „Setup“.

Kalibrierungsprüfung

Dient zur Überprüfung der Kalibrierung der Waage. Siehe den Abschnitt *Kalibrierungsprüfung* im Kapitel „Wartung“ dieser Betriebsanleitung.

Kopfzeile des Ausdrucks editieren

Dient zur Eingabe der Daten, die bei jedem Druckvorgang ausgedruckt werden sollen.

Filterwartung

Der Filter entfernt Säure, Schwebstoffe und Feuchtigkeit aus dem Kältemittel. Damit jederzeit eine korrekte Filtrierung gewährleistet ist, muss der Filter nach 150 kg (331 lbs.) gefiltertem Kältemittel ausgewechselt werden.

Dieser Menüpunkt zeigt die restliche Filterkapazität an, nach der sich das Gerät abschaltet und nicht mehr betriebsbereit ist. Siehe das Kapitel *Filterwartung* im Abschnitt „Wartung“.

Schläuche spülen

Spült das restliche Öl aus den Serviceschläuchen des Geräts, um sie für den Service am nächsten Fahrzeug vorzubereiten.

Einstellung der Öleinspritzung

Ändert die Genauigkeit der Öleinspritzung. Mit diesem Menüpunkt ändern Sie den Korrekturfaktor der Öleinspritzung, falls Sie sehr hoch- oder sehr niedrigviskoses Öl verwenden oder das Gerät bei sehr hohen oder sehr niedrigen Umgebungstemperaturen betreiben. Nähere Hinweise siehe das Kapitel *Einstellung der Öleinspritzung* im Abschnitt „Wartung“ des Handbuchs.

Werksmenü

Reserviert für den Hersteller Robinair.

Pumpenwartung

Zeigt die verbliebene Zeitdauer an, bis der nächste Vakuumpumpen-Ölwechsel fällig ist. Für eine optimale Leistung der Vakuumpumpe sollten Sie das Vakuumpumpenöl möglichst bei jedem Filterwechsel wechseln. Siehe den Abschnitt *Wechsel des Vakuumpumpenöls* im Kapitel „Wartung“.

Kältemittelmanagement

Zeigt die Kältemittelmenge an, die (während der gesamten Nutzungsdauer des Gerätes) abgesaugt, recycelt bzw. eingefüllt und seit dem letzten Filterwechsel gefiltert wurde.

Sprache wählen

Dient zur Wahl der Sprache der Displaymeldungen. Als Standardsprache ist Englisch eingestellt.

Servicemenü

Reserviert für den Robinair-Kundendienst.

Maßeinheiten wählen

Stellt die Gewichtsanzeige des Geräts auf Kilogramm oder britische Pound ein. In der Voreinstellung wird das Gewicht in Kilogramm angezeigt.

Datum/Uhrzeit einstellen

Stelle das aktuelle Datum und die aktuelle Uhrzeit am Gerät ein.

System spülen

Stellt ein Verfahren zum Abscheiden des Öls durch Durchspülen der Klimaanlage oder Komponenten einer Klimaanlage mit flüssigem Kältemittel bereit. Nach dem Spülen wird das Kältemittel vom Gerät abgesaugt und im Recycling-Kreislauf gefiltert.

Systeminformation

Zeigt die Softwareversion des Geräts an.

Tankfüllen

Mit dieser Funktion des Setup-Menüs füllen Sie das Kältemittel aus einem externen Behälter in den Tank des Geräts um. Die Einfüllmenge des Tanks kann den Anforderungen des Anwenders entsprechend erhöht oder verringert werden. Siehe den Abschnitt *Tankfüllen* im Kapitel „Wartung“.

Geräteaktivierung

Falls das Gerät nicht innerhalb von 30 Tagen nach der Erstinbetriebnahme registriert und aktiviert wird, schaltet es sich ab und ist nicht länger betriebsbereit. Wählen Sie diese Seite des Setup-Menüs und folgen Sie den Anweisungen, bevor der Testzeitraum abläuft.

Servicedaten anzeigen

Zeigt die Fahrzeuginformationen an, die im Servicedaten-Menü eingegeben wurden. Fahrzeuge werden nach Servicedatum und Fahrzeug-Identifikationsnummer angezeigt. In der Datenbank sind 25 Fahrzeug-Identifikationsnummern gespeichert.

Auspacken des Geräts

1. Entfernen Sie die Umreifungsbänder vom Karton.
2. Entfernen Sie den oberen Karton, das Pappe-Formteil und die Schutzecken.
3. Entfernen Sie die Schutzhülle vom unteren Karton.
4. Rollen Sie das Gerät vorsichtig und ohne starke Erschütterungen vorwärts von der Palette herunter.



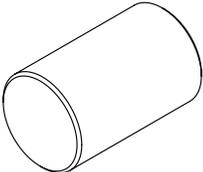
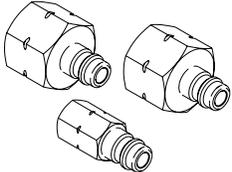
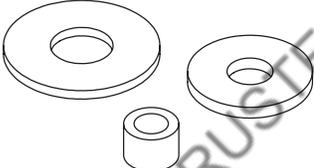
WARNUNG: Verhindern Sie Unfälle mit Kältemittel. Beachten Sie die Anweisungen und Warnhinweise in diesem Handbuch und tragen Sie die persönliche Schutzausrüstung einschließlich Schutzbrille und Schutzhandschuhen.



Auspacken des Zubehörkits

Nehmen Sie das Zubehörkit aus dem Karton und entfernen Sie die Kunststoffverpackung.

Zubehörkit

Kalibriergewicht 533 g		Tankfüllschlauch-Adapter (3)	
Dichtungen (3)		Beutel mit Betriebsanleitung, Garantiekarte, die ausgefüllt und eingesendet werden muss, Sicherheitsdatenblättern und Liste der Servicezentren.	

Einschalten des Gerätes

1. Wickeln Sie das Netzkabel vom Griff ab und schließen Sie es an eine geerdete Steckdose mit der vorgeschriebenen Spannung an.
2. Stellen Sie das Gerät so auf, dass Netzstecker und Geräteschalter für den Bediener leicht zugänglich sind. Die Belüftungsöffnungen auf der Rückseite des Gerätes dürfen nicht verdeckt werden.
3. Arretieren Sie die vorderen Räder.
4. Drehen Sie den Hauptschalter im Uhrzeigersinn, um das Gerät einzuschalten. Siehe Abbildung 1.

Das Gerät schaltet in den Setup-Modus der Inbetriebnahme.

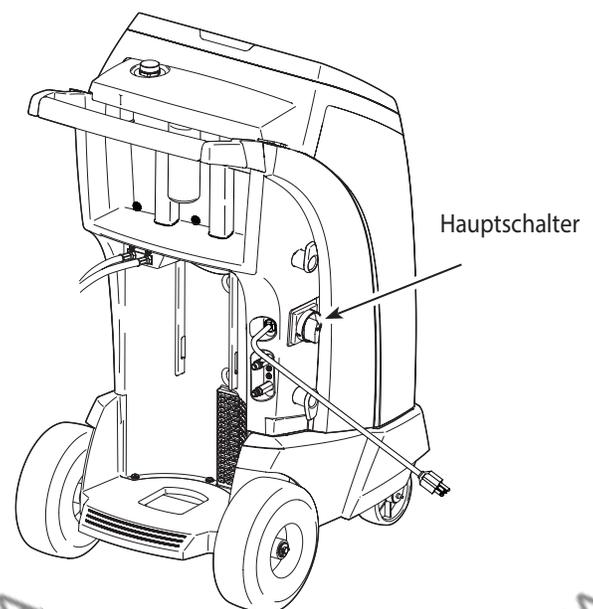


Abbildung 1

Inbetriebnahme

Sprache wählen

Der Bediener kann die Sprache wählen, in der die Displaymeldungen angezeigt werden. Als Standardsprache ist Englisch eingestellt.

1. Mit der NachOben- bzw. NACHUNTEN-Pfeiltaste tippen Sie die verfügbaren Sprachen einzeln durch.
2. Drücken Sie die Taste F1, um die ausgewählte Sprache einzustellen.

Hinweis: Wie Sie eine schon geladene Sprache aktualisieren oder eine neue Sprache hinzufügen, ist im Abschnitt „Wartung“ dieses Handbuchs beschrieben.

Maßeinheiten wählen

Der Bediener kann festlegen, welche Maßeinheiten angezeigt werden sollen. Voreinstellung ist das metrische System.

1. Mit der NachOben- bzw. NACHUNTEN-Pfeiltaste schalten Sie zwischen britischen und metrischen Maßeinheiten um.
2. Drücken Sie die Taste F1, um die angezeigte Maßeinheit auszuwählen.

Datum/Uhrzeit einstellen

Bewegen Sie den Cursor mit den Pfeiltasten. Ändern Sie den Inhalt der Anzeige mit dem Tastenfeld.

1. Drücken Sie die NachOben- bzw. NACHUNTEN-Pfeiltaste, um den Eintrag zu wählen, den Sie ändern möchten: Tag, Monat, Jahr oder Uhrzeit.
2. Ändern Sie die Werte mit der Textfunktion der Zahlentasten.
3. Drücken Sie die Taste F1, um die Einstellung zu speichern.

Kopfz. Ausdr. bearb.

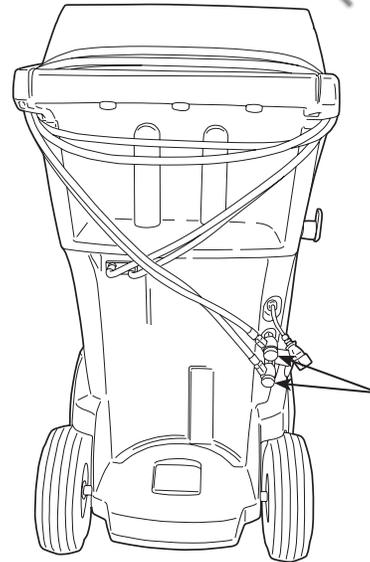
Dieses Gerät kann die Kenndaten für Absaugen, Vakuum, Füllen und Spülen von bis zu 25 Fahrzeugen speichern. Die in der Menüseite „Kopfzeile des Ausdrucks editieren“ eingegebenen Daten werden auf jedem Ausdruck ausgedruckt. Falls Sie einen Drucker an das Gerät anschließen möchten, lesen Sie bitte das Kapitel *Einrichten eines Druckers* im Abschnitt „Wartung“ dieses Handbuchs.

1. Geben Sie den Text mit den Pfeiltasten und der Textfunktion der Zahlentasten ein:
 - PFEIL NACH LINKS dient als Rücktaste.
 - PFEIL NACH RECHTS bewegt den Mauszeiger nach rechts.
 - DIE TASTE NULL (0) dient als Leertaste.
 - NACHOBEN- und NACHUNTEN-Pfeil dienen zur Navigation zwischen den Zeilen.
2. Drücken Sie die Taste F1, um den Vorgang fortzusetzen; bzw. drücken Sie die Taste F2, um zur vorherigen Kopfzeile zurückzugehen.

Service Vakuum

Daraufhin reinigt das Gerät sein Leitungssystem, bevor das Setup fortgesetzt wird.

1. Kontrollieren Sie am Schauglas der Vakuumpumpe, ob der Ölstand bis zur Mitte des Schauglases reicht.
2. Schließen Sie nach entsprechender Aufforderung die Serviceschläuche des Gerätes an die Spülanschlüsse an (siehe Abbildung 2).
3. Öffnen Sie Schnellkupplungen der Serviceschläuche, indem Sie die Gewinderinge im Uhrzeigersinn drehen.
4. Drücken Sie die Taste F1. Das Gerät reinigt sein Leitungssystem und generiert einen Warnton, wenn der Vorgang abgeschlossen ist.



Serviceschläuche
an Spülanschlüsse
angeschlossen

Abbildung 2

Tankfüllen

Bei diesem Vorgang wird Kältemittel aus einem externen Behälter in den Kältemitteltank des Geräts umgefüllt. Das Fassungsvermögen des Kältemittel tanks beträgt 8,5 kg. Bewegen Sie den Cursor mit den Pfeiltasten und geben Sie den Wert über das Tastenfeld ein.

1. Auf dem Display des Geräts werden die gewünschte Tankfüllmenge, die Höchstfüllmenge und die Menge des in den Kältemittel tank absaugbaren Kältemittels angezeigt. Geben Sie die gewünschte Tankfüllmenge ein. *Hinweis: Damit zum Befüllen der Fahrzeugklimaanlage genügend Kältemittel im Behälter enthalten ist, müssen Sie mindestens 3,6 kg einfüllen.*
2. Schließen Sie den Schlauch der Niederdruckseite (blau) an die Anschlussverschraubung des externen Behälters an.
3. Öffnen Sie das Ventil der Niederdruckseite (blau) am Bedienfeld.
4. Öffnen Sie das Schnellkupplungsventil des Schlauchs, indem Sie den Gewindering im Uhrzeigersinn drehen.
5. Öffnen Sie das Ventil des externen Behälters.
6. Stellen Sie den externen Behälter so auf, dass das flüssige Kältemittel zum Anschluss fließt.
7. Drücken Sie die Taste F1, um das Tankfüllen zu starten. Das Gerät beginnt mit dem Füllen des Kältemittel tanks. Damit zum Befüllen einer Fahrzeugklimaanlage genug Kältemittel im Tank vorhanden ist, müssen Sie mindestens 3,6 kg einfüllen. Dieser Vorgang dauert 15 bis 20 Minuten.

Hinweis:

Höchstfüllmenge: Die Kältemittelmenge im Tank, die in eine Fahrzeugklimaanlage gefüllt werden kann.

Absaugmenge: Die Menge zusätzlichen Kältemittels, die aus einem Fahrzeug in den Tank abgesaugt werden kann.

Inbetriebnahme

Tankfüllen (Fortsetzung)

8. Das Gerät stoppt den Vorgang, sobald die gewünschte Kältemittelmenge in den Tank eingefüllt ist oder der externe Behälter entleert ist. Beachten Sie die Meldungen auf dem Display.
9. Schließen Sie das Ventil der Niederdruckseite (blau) am Bedienfeld.
10. Schließen Sie das Schnellkupplungsventil des Schlauchs, indem Sie den Gewinding gegen den Uhrzeigersinn drehen.
11. Schließen Sie das Ventil des externen Behälters.
12. Drücken Sie die Taste F2, um zum Setup-Menü zurückzugehen.

Das Gerät ist hiernach betriebsbereit.

Hinweis:

- *Die Waage muss nicht kalibriert werden; sie wurde schon beim Hersteller kalibriert.*
- *Nach dem Tankfüllen wird auf dem Display nicht mehr der programmierte Füllstand angezeigt.*

Das Display zeigt die für den Füllvorgang verfügbare Kältemittelmenge an, die ca. 0,91 kg geringer als die Kältemittel-Gesamtmenge im Tank ist.

Geräteaktivierung

Falls das Gerät nicht innerhalb von 30 Tagen nach der Erstinbetriebnahme registriert und aktiviert wird, schaltet es sich ab und ist nicht länger betriebsbereit.

1. Wählen Sie die Geräteaktivierung im Setup-Menü. Auf dem Display wird folgende Meldung angezeigt:

XX VERBLIEBENE TAGE DES TESTZEITRAUMS BIS
ZUR GERÄTEAKTIVIERUNG. JETZT AKTIVIEREN?

2. Drücken Sie die Taste F1, um die Aktivierung zu starten. Auf dem Display wird folgende Meldung angezeigt:

PERSÖNLICHER PRODUKTCODE
XXXXXXXXXXXX
HTTPS://REGISTER.SERVICESTOLUTIONSPORTAL.COM
FÜR AKTIVIERUNGSCODE

3. Rufen Sie auf einem PC den Webbrowser auf und gehen Sie zu der bei Schritt 2 angezeigten Webadresse.
4. Geben Sie Ihren Benutzernamen und Ihr Passwort ein und melden Sie sich auf der Website an. *Hinweis: Falls Sie noch kein Benutzerkonto haben, klicken Sie auf die Schaltfläche REGISTRIEREN, um einen Benutzernamen und ein Passwort zu wählen.*
5. Geben Sie den persönlichen Produktcode Ihres Geräts ein, um einen Aktivierungscode zu erhalten.
6. Bei Modell AC1234-3(P) drücken Sie die Taste F1. Auf dem Display wird folgende Meldung angezeigt:

PERSÖNLICHER PRODUKTCODE
XXXXXXXXXXXX
GEBEN SIE DEN CODE EIN:
XXXXXXXXXXXXXXXXXXXX

Geben Sie den Aktivierungscode in das dafür vorgesehene Feld ein. *Hinweis: Geben Sie den Code genau so ein, wie er Ihnen mitgeteilt wurde. Es wird zwischen Groß- und Kleinschrift unterschieden.*

7. Schreiben Sie sich den Aktivierungscode auf oder speichern Sie ihn an einem sicheren Ort in einer Datei. Drücken Sie die Taste F1.
8. Auf dem Display wird folgende Meldung angezeigt:

AKTIVIERUNG ERFOLGREICH.

Drücken Sie die Taste F1. Das AC1234-3(P) wurde aktiviert.

Bedienungsanleitung — Eingabe der Servicedaten

Eingabe der Servicedaten

Nach der Wahl einer Servicefunktion können Sie Angaben über das Fahrzeug eingeben und in der Datenbank des Geräts speichern.

1. Auf dem Display wird folgende Meldung angezeigt:

SERVICEDATEN EINGEBEN - NEUER DATENSATZ

2. Drücken Sie die Taste F1, um einen neuen Datensatz einzugeben, oder scrollen Sie zum zuvor erwarteten Fahrzeug und drücken Sie die Taste F1. Auf dem Display wird folgende Meldung angezeigt:

SERVICEDATEN EINGEBEN
VIN: _____
KILOMETERSTAND: _____
FABRIKAT: _____
MODELL: _____

3. Verwenden Sie die Pfeiltasten zur Navigation zwischen den Zeilen und die Textfunktion der Zahlentasten für die Texteingabe.

Die in dieser Seite eingegebenen Informationen werden nach Datum und Fahrzeugidentifikationsnummer (VIN) gespeichert. Die Datenbank speichert 25 aktuelle Einträge, die jüngsten stehen oben in der Liste.

Diese Angaben werden auf Modell AC1234-3P ebenfalls in die Ausdrücke der Serviceberichte übernommen.



Absaugen von Kältemittel aus einer Fahrzeugklimaanlage

1. Entleeren Sie vor dem Absaugen den Ölablassbehälter. Ziehen Sie den Ölablassbehälter gerade nach unten aus dem Gerät, ohne ihn zu drehen oder hin- und herzubewegen. Siehe Abbildung 3.
2. Schließen Sie die Serviceschläuche der Hochdruckseite (rot) und der Niederdruckseite (blau) an die Fahrzeugklimaanlage an.
3. Öffnen Sie die Schnellkupplungsventile der Schläuche, indem Sie die Gewindinge im Uhrzeigersinn drehen.
4. Öffnen Sie die Ventile der Hochdruckseite und Niederdruckseite auf dem Bedienfeld des Geräts.
5. Drücken Sie die Taste ABSAUGEN auf dem Bedienfeld. Siehe Abbildung 4.
6. Drücken Sie die Taste F1. Das Gerät startet den Absaugvorgang. Das klickende Geräusch zeigt an, dass sich das Magnetventil öffnet und schließt. Dies ist normal.
7. Das Gerät führt einen automatischen Reinigungszyklus durch, bei dem sämtliches Kältemittel aus dem Leitungssystem des Gerätes entfernt wird.



WARNUNG: Verhindern Sie Unfälle mit Kältemittel. Beachten Sie die Anweisungen und Warnhinweise in diesem Handbuch und tragen Sie die persönliche Schutzausrüstung einschließlich Schutzbrille und Schutzhandschuhen.



Abbildung 3

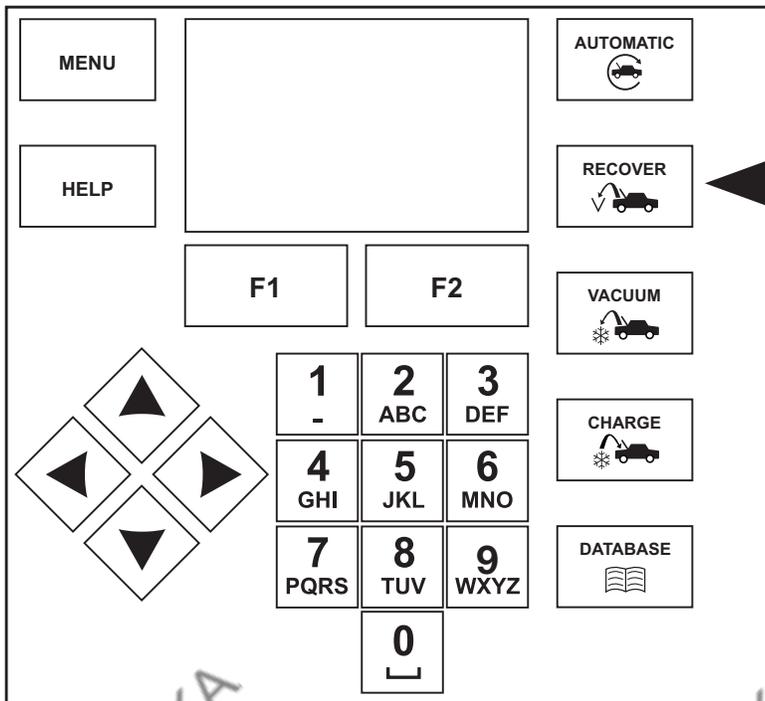
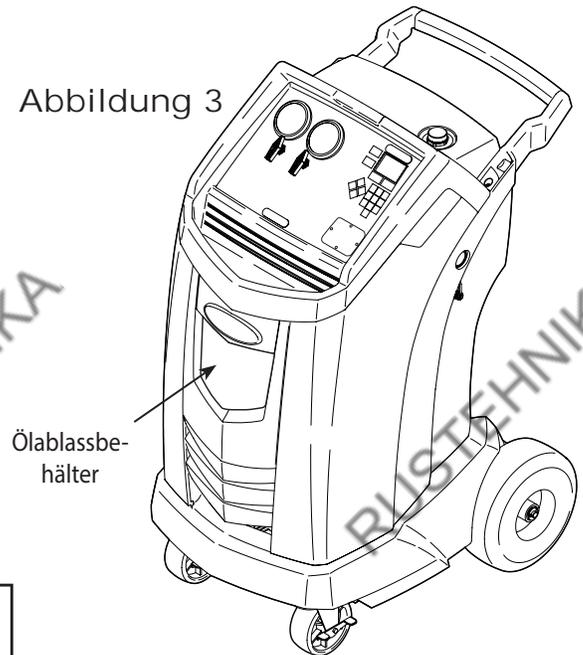


Abbildung 4

Bedienungsanleitung — Absaugen

Absaugen von Kältemittel aus einer Fahrzeugklimaanlage (Fortsetzung)

8. Sobald das System auf einen Unterdruck von -0,45 bar (13 in/Hg) evakuiert ist, ist der Absaugvorgang abgeschlossen.
9. Nach dem Absaugen entleert das Gerät den Ölbehälter, was bis zu 90 Sekunden dauern kann.
10. Nach dem Ölablassen wird auf dem Display die abgesaugte Kältemittelmenge und die abgelassene Ölmenge angezeigt. Bei Modell AC1234-3P können Sie die Absaug-Information und das Ergebnis der Diagnose vor dem Absaugvorgang ausdrucken, indem sie die Taste F1 drücken. Drücken Sie die Taste F2, um zur Auswahlseite zurückzugehen.

Hinweis: Die Anzeige der vom Gerät abgesaugten Menge kann je nach Umgebungsbedingungen variieren. Daher sollten von dem angezeigten Wert keine Rückschlüsse auf die Genauigkeit der Waage gezogen werden.

11. Die aus der Klimaanlage entfernte Ölmenge muss nach dem Evakuieren wieder in die Klimaanlage eingefüllt werden.
 - Verwenden Sie für den Ölwechsel beim Recyclingvorgang ausschließlich Frischöl.
 - Entsorgen Sie das Altöl entsprechend den gesetzlichen Vorschriften.

Der Absaugvorgang ist abgeschlossen.

ACHTUNG: Um das Austreten von Kältemittel in die Atmosphäre zu vermeiden, müssen Sie das Gerät bei Umgebungstemperaturen über 40 °C (104 °F) zwischen zwei Absaugvorgängen mit eingeschaltetem Hauptschalter 30 Minuten lang abkühlen lassen.

Nicht kondensierbare Gase werden automatisch durch ein Entlüftungsventil aus dem Kältemitteltank abgelassen. Bei nachfolgenden Absaugungen und übermäßig hohen Umgebungstemperaturen kann der Druck im Tank rasch ansteigen und ein unerwünschtes Ansprechen dieses Überdruckventils bewirken. Das kann zu einem überhöhtem Kältemittelaustritt führen.



Evakuieren der Fahrzeugklimaanlage

1. Schließen Sie die Serviceschläuche an die Serviceanschlüsse des Fahrzeugs an.
2. Öffnen Sie die Schnellkupplungsventile der Serviceschläuche, indem Sie die Gewinderinge im Uhrzeigersinn drehen.
3. Öffnen Sie die Ventile der Hochdruckseite und Niederdruckseite auf dem Bedienfeld des Geräts.
4. Drücken Sie die Taste VAKUUM.
5. Drücken Sie die Taste F1, um die 15-minütige Standard-Vakuumdauer zu akzeptieren, oder geben Sie mit den Zahlentasten eine gewünschte Vakuumdauer ein. Drücken Sie die Taste F1.

Hinweis: Das Evakuieren bricht ab, sobald der Druck auf über 0,35 bar (5 psi) ansteigt. In diesem Fall müssen Sie vor allen weiteren Schritten erst das Kältemittel absaugen.

6. Das Gerät erzeugt während der programmierten Zeitdauer ein Vakuum in der Klimaanlage.
7. Das Gerät stoppt, sobald die eingestellte Dauer abgelaufen ist.

Bei Modell AC1234-3P können Sie Vakuum-Information ausdrucken, indem Sie die Taste F1 drücken.

Drücken Sie die Taste F2, um zur Auswahlseite zurückzugehen.



WARNUNG: Verhindern Sie Unfälle mit Kältemittel. Beachten Sie die Anweisungen und Warnhinweise in diesem Handbuch und tragen Sie die persönliche Schutzausrüstung einschließlich Schutzbrille und Schutzhandschuhen.

Bedienungsanleitung — Schläuche spülen

Spülen der Schläuche

Wenn beim nächsten Fahrzeug eine andere Ölsorte verwendet wird, müssen die Ölrückstände aus den Schläuchen herausgespült werden, um eine Kontamination zu vermeiden.

1. Wählen Sie SCHLÄUCHE SPÜLEN im Setup-Menü. Auf dem Display wird folgende Meldung angezeigt:

SCHLIESSEN SIE DIE SCHLÄUCHE AN DIE SPÜLANSCHLÜSSE AN UND ÖFFNEN SIE DIE VENTILE.

2. Schließen Sie die Serviceschläuche an die Spülanschlüsse des Gerätes an (siehe Abbildung 5).
3. Öffnen Sie die Schnellkupplungsventile der Serviceschläuche, indem Sie die Gewinderinge im Uhrzeigersinn drehen.
4. Öffnen Sie die Ventile der Hochdruckseite und Niederdruckseite auf dem Bedienfeld des Geräts.
5. Drücken Sie die Taste F1, um das Schlauchspülen zu starten. Dieser Vorgang dauert drei Minuten. Anschließend folgt ein Absaugvorgang.
6. Nach dem Schlauchspülen wird auf dem Display folgende Meldung angezeigt:

SCHLÄUCHE SPÜLEN ABGESCHLOSSEN

Drücken Sie die Taste F2, um den Vorgang zu beenden und zum Setup-Menü zurückzugehen.

7. Schließen Sie die Schnellkupplungsventile, indem Sie die Gewinderinge gegen den Uhrzeigersinn drehen.
8. Schließen Sie die Ventile auf dem Bedienfeld des Geräts.



WARNUNG: Verhindern Sie Unfälle mit Kältemittel. Beachten Sie die Anweisungen und Warnhinweise in diesem Handbuch und tragen Sie die persönliche Schutzausrüstung einschließlich Schutzbrille und Schutzhandschuhen.

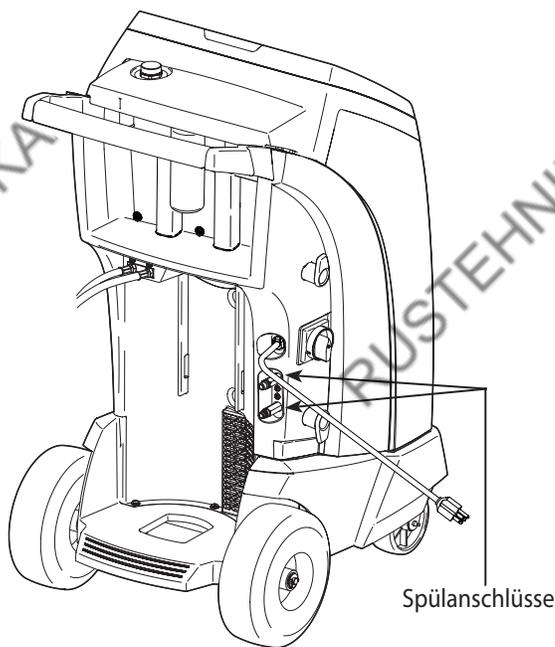


Abbildung 5



Füllen der Fahrzeugklimaanlage

Während des FÜLLENS wird eine automatische Lecksuche durchgeführt. Damit die Lecksuche keine Fehlalarme erzeugt, sollten die Temperaturen von Fahrzeugklimaanlage und Klimateilgerät höchstens um 5 °C voneinander abweichen.

1. Schließen Sie beide Serviceschläuche an die Serviceanschlüsse des Fahrzeugs an. Öffnen Sie die Bedienfeld-Ventile von Hochdruckseite und Niederdruckseite.
2. Drücken Sie die Taste FÜLLEN. Das Display zeigt folgende Meldung an:

KÄLTEMITTEL: 00.0000 KG
ÖL: 000 ML
DRÜCKEN SIE DIE MENÜ-TASTE,
UM DIE MASSEINHEITEN ZU ÄNDERN.

3. Geben Sie mit den Pfeiltasten und Zahlentasten die gewünschte Füllmenge ein.
4. Drücken Sie die Taste F1, um den Füllvorgang zu starten. Nachdem das Gerät die Lecksuche vor dem Füllvorgang durchgeführt hat, werden Sie aufgefordert, eine Füllsequenz zu wählen. *Hinweis: Wenn gleichzeitig Öl eingespritzt wird, kann das Füllen nur über die Hochdruckseite oder über beide Seiten erfolgen.*
 - Füllen durch den Hochdruckschlauch: Vergewissern Sie sich, dass das Bedienfeld-Ventil der Hochdruckseite (rot) und beide Schnellkupplungen der Serviceschläuche geöffnet sind. Schließen Sie das Bedienfeld-Ventil der Niederdruckseite (blau).
 - Füllen durch den Niederdruckschlauch: Vergewissern Sie sich, dass das Bedienfeld-Ventil der Niederdruckseite (blau) und beide Schnellkupplungen der Serviceschläuche geöffnet sind. Schließen Sie das Bedienfeld-Ventil der Hochdruckseite (rot).
 - Füllen durch beide Schläuche: Vergewissern Sie sich, dass alle Bedienfeld-Ventile und Schnellkupplungen der Serviceschläuche geöffnet sind.
5. Drücken Sie die Taste F1, um den Füllvorgang fortzusetzen. Das Bewegen oder Stöße gegen das Geräts können zu einer ungenauen Befüllung führen. Wenn sich der Befüllungszyklus an den Sollwert annähert, verlangsamt sich der Betrieb des Gerätes. Der Ablauf besteht aus Füllen, einer Ruhephase, erneutem Füllen, einer Ruhephase usw..
6. Schließen Sie nach entsprechender Aufforderung alle offenen Serviceventile. Die Bedienfeld-Ventile müssen jedoch weiterhin geöffnet bleiben. Nehmen Sie die Serviceschläuche von der Klimaanlage ab und schließen Sie sie an die Spülanschlüsse des Gerätes an. Drücken Sie die Taste F1, um die Schläuche zu entleeren.
7. Die Seite FÜLLEN ABGESCHLOSSEN zeigt unter anderem das Ergebnis des Füllvorgangs an. Bei Modell AC1234-3P können Sie diese Übersicht ausdrucken, indem Sie die Taste F1 drücken. Drücken Sie die Taste F2, um zur Auswahlseite zurückzugehen.
8. Schließen Sie die Bedienfeld-Ventile. Die Fahrzeugklimaanlage ist hiernach betriebsbereit.



WARNUNG: Verhindern Sie Unfälle mit Kältemittel. Beachten Sie die Anweisungen und Warnhinweise in diesem Handbuch und tragen Sie die persönliche Schutzausrüstung einschließlich Schutzbrille und Schutzhandschuhen.

Hinweis: Der Füllvorgang ist von Fahrzeug zu Fahrzeug unterschiedlich. Das Füllen an Fahrzeugen mit nur einem Serviceventil sollte von Hand vorgenommen werden. Genaue Anweisungen finden Sie im Servicehandbuch des Fahrzeugs.

ACHTUNG: Falls die Ventile von Niederdruckschlauch (blau) oder Hochdruckschlauch (rot) während des Schlauchreinigungsvorgangs geöffnet bleiben, saugt die Anlage das Kältemittel wieder aus dem Fahrzeug ab.



Automatikfunktion

Mit der AUTOMATIKFUNKTION kann der Anwender einen automatischen Ablauf aus Absaugen, Vakuum, Dichtheitsprüfung und/oder Füllen programmieren. Eine automatische Sequenz kann insgesamt bis zu einer Stunde dauern.

1. Schließen Sie die Serviceschläuche der Hochdruckseite (rot) und der Niederdruckseite (blau) an die Fahrzeugklimaanlage an.
2. Öffnen Sie die Schnellkupplungsventile der Serviceschläuche, indem Sie die Gewinderinge im Uhrzeigersinn drehen.
3. Öffnen Sie die Ventile der Hochdruckseite und der Niederdruckseite auf dem Bedienfeld des Geräts.
4. Drücken Sie die Taste AUTOMATIK. Folgen Sie den Anweisungen auf dem Display, während das Gerät den Automatikzyklus durchläuft. Beachten Sie während des Füllvorgangs die spezifischen Hinweise für das Füllen in diesem Handbuch.
5. Schließen Sie nach entsprechender Aufforderung die Schnellkupplungsventile der Serviceschläuche, indem Sie die Gewinderinge gegen den Uhrzeigersinn drehen. Die Bedienfeld-Ventile müssen jedoch weiterhin geöffnet bleiben.
6. Nehmen Sie die Serviceschläuche von der Klimaanlage ab und schließen Sie sie an die Spülanschlüsse des Gerätes an. Drücken Sie die Taste F1, um die Schläuche zu entleeren. Hierdurch wird das Gerät für den nächsten Service vorbereitet.
7. Die Seite mit der Meldung FÜLLEN ABGESCHLOSSEN zeigt das Ergebnis des Füllvorgangs an. Bei Modell AC1234-3P können Sie die Übersicht ausdrucken, indem Sie die Taste F1 drücken. Drücken Sie die Taste F2, um zur Auswahlseite zurückzugehen.
8. Schließen Sie jetzt alle Bedienfeld-Ventile.



WARNUNG: Verhindern Sie Unfälle mit Kältemittel. Beachten Sie die Anweisungen und Warnhinweise in diesem Handbuch und tragen Sie die persönliche Schutzausrüstung einschließlich Schutzbrille und Schutzhandschuhen.

Hinweise zur Automatikfunktion

- Das FÜLLEN von Fahrzeugen mit nur einem Serviceventil sollte manuell nach den Anweisungen im Servicehandbuch des Fahrzeugherstellers ausgeführt werden.
- Die beim ABSAUGEN rückgewonnene Ölmenge wird vor dem FÜLLZYKLUS automatisch eingespritzt.
- Falls kein ABSAUGEN erfolgte, können Sie die Menge des einzuspritzenden Öls bei der Programmierung der FÜLLMENGE eingeben.
- Bei Störungen des automatischen Ablaufs generiert das System drei Warntöne. Der Ablauf wird so lange unterbrochen, bis der Anwender die weitere Vorgehensweise wählt.
- Die Dichtheitsprüfung vor dem Füllvorgang läuft automatisch ab.

Anlage spülen

Die SPÜLFUNKTION wird mit einem vom Fahrzeughersteller zugelassenen Spüladapter ausgeführt. Für die nachfolgenden Arbeitsschritte ist daher die Bedienungsanleitung des Adapters zu beachten.

1. Stellen Sie sicher, dass der Filter und das Sieb der Spülvorrichtung nicht verstopft sind.
2. Montieren Sie die Spülvorrichtung an der Rückseite des Robinair-Klimaservicegerätes. Verbinden Sie zu diesem Zeitpunkt noch keine Anschlüsse.
3. Nehmen Sie den Ölablassbehälter aus dem Robinair-Klimaservicegerät (siehe Abbildung 6). Entleeren Sie den Ölbehälter und entsorgen Sie das Altöl entsprechend den gesetzlichen Vorschriften. Bauen Sie den Ölablassbehälter wieder in das Gerät ein.
4. Saugen Sie das gesamte Kältemittel aus der zu spülenden Klimaanlage ab.
5. Schreiben Sie die abgesaugte Ölmenge auf. Diese Menge sowie Öl, das evtl. beim Spülen gesammelt wird, muss wieder eingefüllt werden.

Hinweis: Die Ölmenge, die beim Spülen der Anlage gesammelt und angezeigt wird, beinhaltet nicht die beim anfänglichen Absaugen gewonnene Ölmenge.

6. Vergewissern Sie sich, dass mindestens 6,0 kg (13.2 lb.) Kältemittel im Robinair-Klimaservicegerät enthalten sind. Das Gerät kann kein komplettes Spülen des Systems durchführen, wenn nicht mindestens 6,0 kg Kältemittel im Kältemitteltank enthalten sind.

Hinweis: Falls das Gerät weniger als 6,0 kg (13.2 lb.) Kältemittel enthält, schlagen Sie die Hinweise im Abschnitt „Tank füllen“ dieses Handbuchs nach.

7. Kuppeln Sie das Robinair-Klimaservicegerät vom Fahrzeug ab.
8. Schließen Sie die Spüladapter und Umgehungsleitungen wie im Servicehandbuch des Fahrzeugs beschrieben an.
9. Schließen Sie den Serviceschlauch der Niederdruckseite (blau) direkt an den Filter der Spülvorrichtung an.
10. Entfernen Sie den Serviceanschluss der Hochdruckseite (rot) und schließen Sie den Serviceschlauch der Hochdruckseite (rot) an den Saugleitungsadapter des Geräts an.
11. Schließen Sie den Rücklaufadapter des Geräts mit dem beiliegenden Schlauch an den Eintritt der Spülvorrichtung an.
12. Schließen Sie die Schläuche entsprechend der Anleitung der Spülvorrichtung an.
13. Wählen Sie die Option Anlage spülen im Setup-Menü. Das Display zeigt die Aufforderung, den korrekten Anschluss der Spülvorrichtung zu überprüfen und beide Bedienfeld-Ventile zu öffnen. Drücken Sie die Taste F1, um den Vorgang fortzusetzen.



WARNUNG: Verhüten Sie Unfälle mit Kältemittel. Beachten Sie die Anweisungen und Warnhinweise in diesem Handbuch und tragen Sie die persönliche Schutzausrüstung einschließlich Schutzbrille und Schutzhandschuhen.

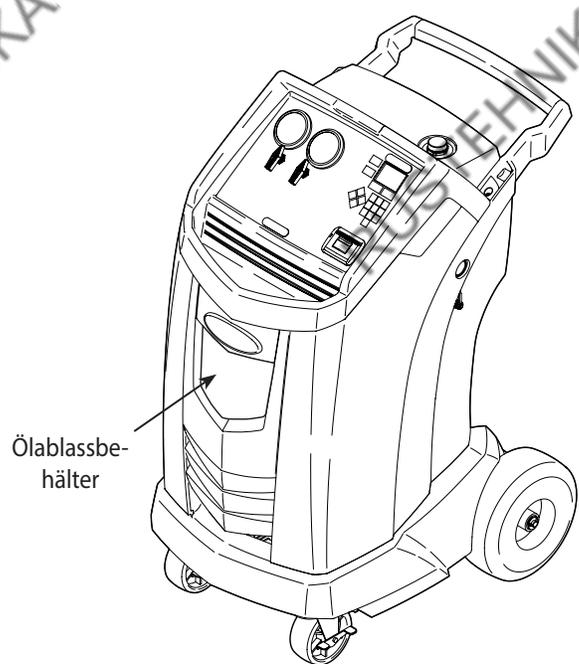


Abbildung 6

Bedienungsanleitung — Anlage spülen

Anlage spülen (Fortsetzung)

14. Akzeptieren Sie die Standard-Vakuumdauer oder programmieren Sie eine längere Dauer. Drücken Sie die Taste F1.
15. Sobald das Vakuum abgeschlossen ist, beginnt eine 5-minütige Druckprüfung. Es wird eine geringe Menge Kältemittel eingefüllt und durch den Spülkreislauf abgesaugt, während das Gerät die Anlage kontinuierlich auf Druckverluste prüft.
16. Nach einer erfolgreichen Druckprüfung zeigt das Display folgende Meldung an:

ND-VENTIL DES BEDIENFELDS
SCHLIESSEN UND HD-VENTIL ÖFFNEN

Schließen Sie das Bedienfeld-Ventil der Niederdruckseite und öffnen Sie das Bedienfeld-Ventil der Hochdruckseite. Drücken Sie die Taste F1, um den Spülzyklus zu starten.

17. Nach einem kurzen Füllvorgang zeigt das Display folgende Meldung an:

HD-VENTIL DES BEDIENFELDS
SCHLIESSEN UND ND-VENTIL ÖFFNEN

Schließen Sie das Bedienfeld-Ventil der Hochdruckseite und öffnen Sie das Bedienfeld-Ventil der Niederdruckseite. Drücken Sie die Taste F1, um den Vorgang fortzusetzen. Das eingefüllte Kältemittel wird durch den Serviceschlauch der Niederdruckseite abgesaugt.

18. Die Arbeitsschritte 15 und 16 werden drei weitere Male wiederholt, um ein effizientes Spülen der Anlage sicherzustellen. Nach dem vierten Zyklus lässt das Gerät selbsttätig das Öl ab. Nach dem Ölablassen zeigt das Display die bei diesem Vorgang insgesamt abgelassene Ölmenge an:

GESAMTES
ÖL: XXXYY

19. Ersetzen Sie nach dem Spülen und Wiedereinrichten des Systems das bei diesem Arbeitsablauf verloren gegangene Öl. Weitere Anweisungen finden Sie im Servicehandbuch des Fahrzeugs.
20. Drücken Sie die Taste F2, um zum Setup-Menü zurückzugehen.



WARNUNG: Kuppeln Sie die Serviceventile während des Spülvorgangs NICHT ab. Das Kältemittel kann an den Anschlüssen herausspritzen und Verletzungen verursachen.

ACHTUNG: Die Spülvorrichtung enthält einen austauschbaren Filter und ein Schmutzsieb, die beide verstopfen können. Lesen Sie nach dem Spülzyklus den Druck in der Anlage auf dem hochdruckseitigen (roten) Manometer ab und stellen Sie am Adapter fest, ob das Kältemittel vollständig entfernt wurde.

Falls die Anlage unter Druck steht oder Kältemittel in der Anlage verblieben ist, müssen Sie den Spülzyklus beenden und in die Betriebsart „Absaugen“ wechseln, um das Kältemittel durch Hochdruckschlauch (rot) und Niederdruckschlauch (blau) abzusaugen. Führen Sie anschließend eine Filterwartung durch und wiederholen Sie den Spülvorgang.

Wartungsplan

Wartungseingriff	Empfohlenes Intervall
Filter wechseln	Nach 150 kg (331 lbs.) gefiltertem Kältemittel. Siehe den Abschnitt <i>Filterwartung</i> im Kapitel <i>Wartung</i> dieses Handbuchs.
Vakuumpumpenöl wechseln	Beim Filterwechsel. Siehe den Abschnitt <i>Vakuumpumpenöl wechseln</i> im Kapitel <i>Wartung</i> dieses Handbuchs.
Räder und Laufrollen auf Leichtgängigkeit prüfen	Monatlich.
Kalibrierung der Waage prüfen	Monatlich. Siehe den Abschnitt <i>Kalibrierungsprüfung</i> im Kapitel <i>Wartung</i> dieses Handbuchs.
Gerät auf Leckagen prüfen	Monatlich. Schläuche und Anschlussventile auf Leckage prüfen. Trennen Sie das Gerät vom Stromnetz, nehmen Sie die Verkleidung ab und überprüfen Sie die Verschraubungen mit einem elektronischen Lecksuchgerät.
Frischluftgitter säubern (Siehe Abb. 7)	Monatlich. Verwenden Sie dazu einen sauberen Lappen.
Gehäuse und Bedienfeld säubern	Monatlich. Verwenden Sie dazu einen sauberen Lappen.
Netzkabel und Schläuche auf Schnitte und Scheuerstellen prüfen	Täglich.
Radlager schmieren und Bremskomponenten inspizieren	Monatlich.
Druckprüfung	Alle 10 Jahre — muss von einem autorisierten Robinair Servicezentrum durchgeführt werden.

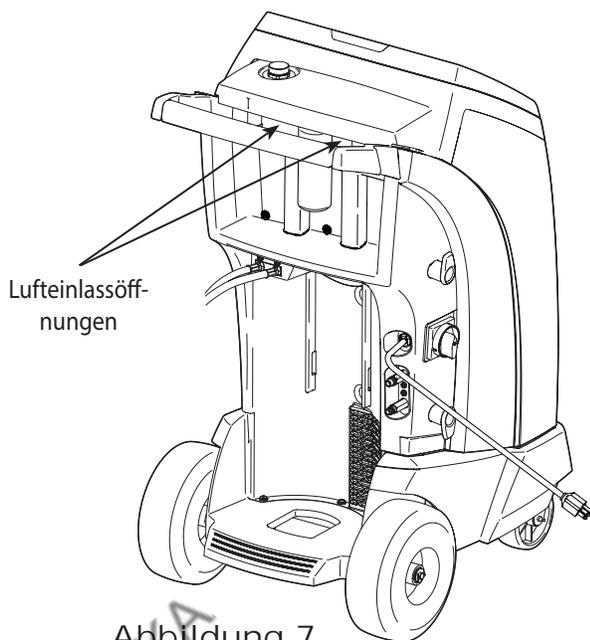


Abbildung 7



WARNUNG: Verhindern Sie mögliche Unfälle - beachten Sie folgende Hinweise.



- Nur Fachpersonal darf Sichtprüfungen und Reparaturen an diesem Gerät durchführen.



- Lesen und befolgen Sie die Anweisungen und Sicherheitshinweise in diesem Handbuch.

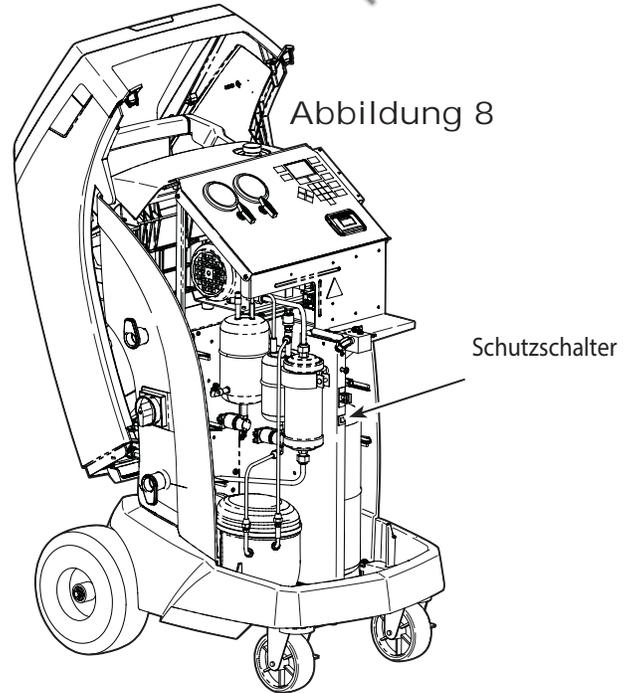


- Tragen Sie die persönliche Schutzausrüstung einschließlich Schutzbrille und Schutzhandschuhen.

Elektrische Sicherungen

Das Gerät ist mit einem Schutzschalter in der Zuleitung ausgerüstet (siehe Bild 8). Bei Ansprechen des Schutzschalters springt die Taste heraus. Durch das Ansprechen des Schutzschalters wird die gesamte Energiezufuhr des Geräts unterbrochen.

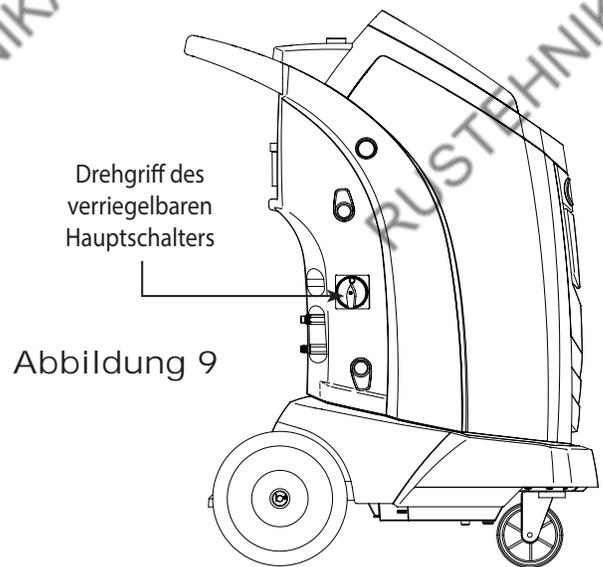
1. Entfernen Sie die vordere Verkleidung.
2. Drücken Sie für ein Reset die Taste des Schutzschalters.
3. Schließen Sie die Verkleidung wieder.



Verriegelung und Stellungsanzeige

Verriegeln Sie den Hauptschalter, damit Unbefugte das Gerät nicht einschalten oder gebrauchen können. Siehe Abbildung 9.

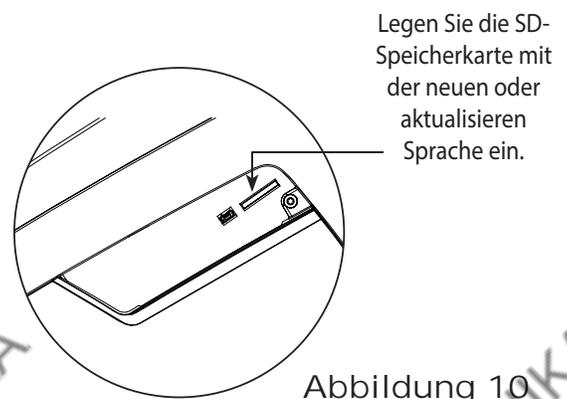
1. Drehen Sie den verriegelbaren Hauptschalter gegen den Uhrzeigersinn.
2. Hängen Sie ein Vorhängeschloss oder eine vergleichbare Vorrichtung in die dafür vorgesehenen Öffnungen ein, damit der Schalter nicht im Uhrzeigersinn gedreht und das Gerät nicht eingeschaltet werden kann.



Sprache laden

Im Folgenden ist beschrieben, wie Sie eine Sprache von einer SD-Speicherkarte hinzufügen oder aktualisieren können.

1. Wählen Sie die Option SPRACHE WÄHLEN im Setup-Menü.
2. Scrollen Sie mit den Pfeiltasten zum Eintrag NEU LADEN. Drücken Sie die Taste F1.
3. Legen Sie die SD-Speicherkarte mit der Sprachdatei in den seitlichen Schlitz am Gerät ein. Siehe Abbildung 10.
4. Folgen Sie den Anweisungen, um die Sprache zu laden oder zu aktualisieren. Falls Sie eine neue Sprache laden, müssen Sie wählen, welche Sprache ersetzt werden soll.



Tankfüllen

Dieser Menüpunkt dient dazu, Kältemittel aus einem externen Behälter in den Kältemittel tank des Geräts zu füllen.

Die maximale Füllmenge des Kältemittel tanks beträgt 8,5 kg. Bewegen Sie den Cursor mit den Pfeiltasten; geben Sie den Wert über das Tastenfeld ein. *Hinweis: Damit zum Befüllen der Fahrzeugklimaanlage genügend Kältemittel im Behälter enthalten ist, müssen Sie mindestens 3,6 kg einfüllen.*

1. Schließen Sie den blauen Schlauch der Niederdruckseite an die Anschlussverschraubung eines vollen externen Behälters an.
2. Öffnen Sie das Ventil der Niederdruckseite (blau) auf dem Bedienfeld des Geräts.
3. Stellen Sie den externen Behälter so auf, dass das flüssige Kältemittel zum Anschluss fließt. Öffnen Sie das Ventil des externen Behälters.
4. Wählen Sie die Option TANK FÜLLEN im Setup-Menü. Auf dem Display wird folgende Meldung angezeigt:

TANKFÜLLEN	
TANKFÜLLMENGE: XX.XYY	
HÖCHSTFÜLLMENGE: XX.XXYY	
ABSAUGMENGE: XX.XXYY	
START	ABBRUCH

5. Geben Sie die abzusaugende Menge ein und drücken Sie die Taste F1. Damit zum Befüllen der Fahrzeugklimaanlage genug Kältemittel im Behälter vorhanden ist, müssen Sie mindestens 3,6 kg einfüllen.
6. Das Gerät beginnt mit dem Füllen des Kältemittel tanks und stoppt selbsttätig, sobald der vorgewählte Tankfüllstand erreicht ist. Um das Tankfüllen vor dem eingestellten Füllstand zu unterbrechen, drücken Sie die Taste F2. Auf dem Display wird eine Option zum Beenden des Vorgangs angezeigt.
7. Nach der Fertigstellung schließen Sie das Schnellkupplungsventil des Serviceschlauchs und das Ventil am Bedienfeld. Nehmen Sie den Schlauch vom externen Behälter ab.

Wartung

Filterwartung

Der Filter dient zum Auffangen von Säure und Schwebstoffen sowie zum Entfernen von Feuchtigkeit aus dem Kältemittel. Um stets eine vorschriftsgemäße Entfernung von Feuchtigkeit und Verunreinigungen gewährleisten zu können, muss der Filter nach einer Filterleistung von 150 kg (331 lbs.) gefiltertem Kältemittel ausgewechselt werden.

Das Gerät zeigt eine Warnmeldung an, wenn 125 kg (276 lbs.) der Filterkapazität aufgebraucht wurden; und das Gerät schaltet sich ab, wenn 150 kg (331 lb.) der Filterkapazität erreicht sind. Es kann dann nicht weiter betrieben werden.

Prüfen der restlichen Filterkapazität

1. Wählen Sie die Option FILTERWARTUNG im Setup-Menü bzw. wenn eine Meldung des Geräts dazu auffordert. Auf dem Display wird folgende Meldung angezeigt:

RESTLICHE KAPAZITÄT:
XXX.XYY
DEN FILTER JETZT ERSETZEN?

Das Gerät zeigt die verbliebene Filterkapazität bis zur Abschaltung des Gerätes an.

2. Drücken Sie die Taste F1, um den Filter zu wechseln, oder drücken Sie die Taste F2, um den Betrieb des Geräts wieder aufzunehmen.

 **WARNUNG:** Die Komponenten des Geräts stehen unter hohem Druck. Vermeiden Sie Verletzungen, wechseln Sie den Filter erst nach der Aufforderung durch das Gerät aus.

Filterwechsel

1. Nachdem Sie F1 gedrückt haben, um den Filter zu wechseln, fordert das Gerät zur Eingabe des neuen Filtercodes auf.

NEUE FILTER-SERIENNUMMER EINGEBEN

Geben Sie die Seriennummer des neuen Filters über die Zahlentastatur ein und drücken Sie die Taste F1, um fortzufahren.

Hinweis: Falls die Meldung FALSCHER SERIENNUMMER angezeigt wird, haben Sie die Seriennummer falsch eingegeben oder der Filter wurde schon mit diesem Gerät verwendet.



WARNUNG: Verhindern Sie Unfälle mit Kältemittel. Beachten Sie die Anweisungen und Warnhinweise in diesem Handbuch und tragen Sie die persönliche Schutzausrüstung einschließlich Schutzbrille und Schutzhandschuhen.



Achtung: Um Schäden am Gerät zu vermeiden, dürfen nur Robinair-Originalfilter mit Teilenummer 34728 für dieses Gerät verwendet werden. Alle Leistungsangaben und Gewährleistungsansprüche setzen die Verwendung dieses spezifischen Filters voraus.

Filterwartung (Fortsetzung)

- Das Gerät löscht den vorhandenen Filter, dann erscheint die Anzeige:

GERÄT AUSSCHALTEN UND DEN FILTER WECHSELN

Schalten Sie das Gerät aus. Entfernen Sie den Ölbehälter. Entfernen Sie die vier Schrauben, mit denen die Verkleidung befestigt ist. Siehe Abbildung 11.

3. Klappen Sie die Verkleidung nach hinten und hängen Sie sie an die Rückseite des Gerätes ein (siehe Abbildung 12).
4. Nehmen Sie den Filter ab, indem Sie die Überwurfmutter der Kupferleitung gegen den Uhrzeigersinn losdrehen. Ziehen Sie die Mutter vom Filter ab und bewegen Sie die Leitungen zur Seite.
5. Lösen Sie die Befestigungsschraube am Klemmring des Filters. Ziehen Sie den Filter aus dem Klemmring.
6. Vergewissern Sie sich, dass die O-Ringe der Kupferleitungen geschmiert und in einwandfreiem Zustand sind. (Die O-Ringe müssen mit der Ölsorte ISO 6743-3 DVA / DVC geschmiert werden.)
7. Setzen Sie den neuen Filter in den Klemmring ein und ziehen Sie die Befestigungsschraube des Klemmrings fest. Der Filter MUSS so eingesetzt sein, dass die Durchflussrichtung nach unten verläuft und er von seiner Oberseite zur Unterseite durchströmt wird.
8. Schließen Sie die obere und untere Kupferleitung wieder an den Filter an. Ziehen Sie die Überwurfmutter mit 20 Nm fest.
9. Entsorgen Sie den aus dem Gerät ausgebauten Filter entsprechend der gesetzlichen Vorschriften.

Entfernen Sie die vier Schrauben, mit denen die Verkleidung befestigt ist.

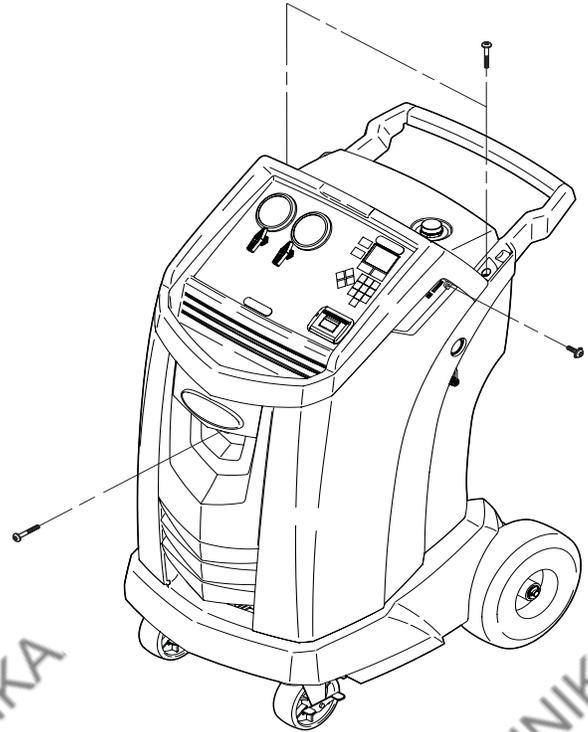


Abbildung 11

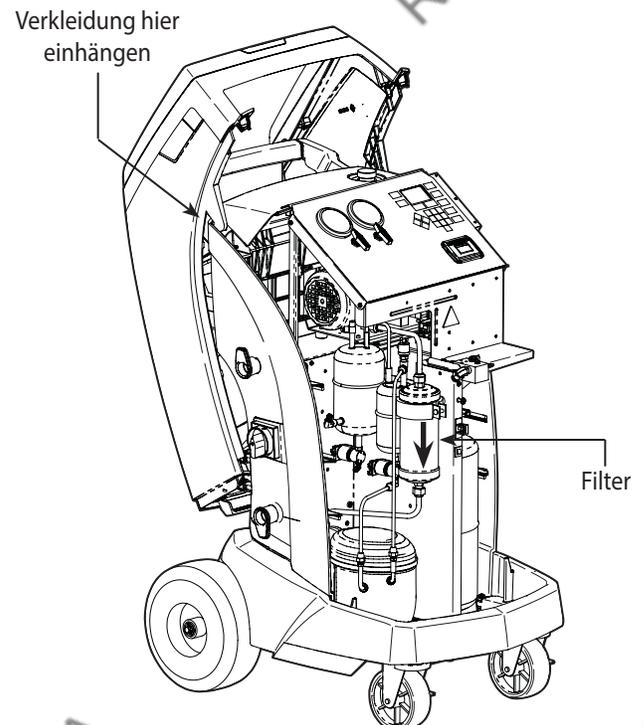


Abbildung 12

Wartung

Kalibrierungsprüfung

Diese Funktion soll sicherstellen, dass die Waage des Geräts jederzeit einwandfrei kalibriert ist. Für die Prüfung darf nur das mit dem Gerät gelieferte Kalibriergewicht verwendet werden.

1. Prüfen Sie, ob der Magnet am Boden des Gerätes sauber ist (siehe Abbildung 13).
2. Wählen Sie die Option KALIBRIERUNGSPRÜFUNG im Setup-Menü. Auf dem Display wird folgende Meldung angezeigt:

DAS KALIBRIERUNGSGEWICHT AUF DEN MAGNETEN AM BODEN DES GERÄTS LEGEN

3. Bringen Sie das Kalibriergewicht am Magneten auf dem Boden des Gerätes an. Drücken Sie die Taste F1, um den Vorgang fortzusetzen.
4. Auf dem Display wird folgende Meldung angezeigt:

DAS KALIBRIERUNGSGEWICHT VOM MAGNETEN AM BODEN DES GERÄTS ENTFERNEN

Nehmen Sie das Kalibriergewicht vom Magneten ab. Drücken Sie die Taste F1, um den Vorgang fortzusetzen.

- Falls das Display folgende Meldung anzeigt:

KALIBRIERUNG ERFOLGREICH

ist die Waage kalibriert. Drücken Sie die Taste F2, um zum Setup-Menü zurückzugehen.

- Falls das Display folgende Meldung anzeigt:

KALIBRIERUNG FEHLGESCHLAGEN

ist die Waage nicht mehr kalibriert. Sie können erneut die Taste F1 drücken, um es noch einmal zu versuchen. Falls die Kalibrierung erneut nicht gelingt, müssen Sie ein autorisiertes Robinair Servicezentrum zwecks Kundendienst kontaktieren.

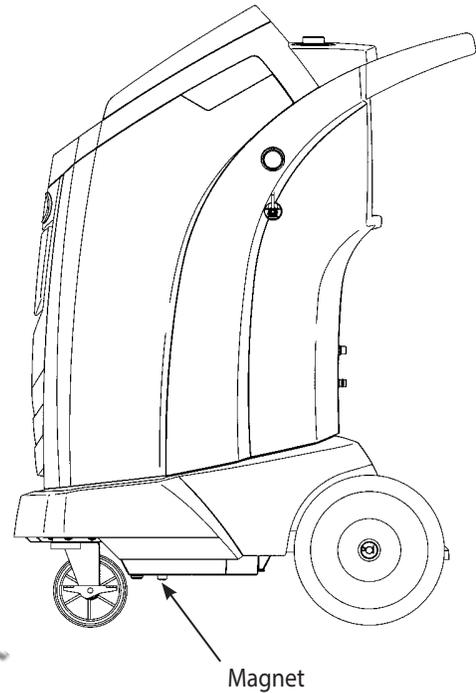


Abbildung 13

Ölwechsel der Vakuumpumpe

1. Wählen Sie die Option PUMPENWARTUNG im Setup-Menü oder nach entsprechender Aufforderung. Das Display zeigt die Betriebsdauer der Vakuumpumpe seit dem letzten Ölwechsel an.

RESTLICHE ÖLSTANDZEIT
XXX:XX (HHH:MM)
JETZT ÖL WECHSELN?

2. Drücken Sie die Taste F1, um das Vakuumpumpenöl zu wechseln. Falls das Gerät die Meldung angezeigt:

ÖL WIRD AUFGEWÄRMT,
BITTE WARTEN

lassen Sie die Vakuumpumpe ca. zwei Minuten lang laufen, um das Öl aufzuwärmen. Ist das Öl bereits warm, zeigt das Display folgende Meldung an:

ALTÖL AUS DER PUMPE ABLASSEN UND
DURCH 150 ML FRISCHÖL ERSETZEN

3. Öffnen Sie LANGSAM den Verschluss der Öleinfüllöffnung, um zu prüfen, ob das Gerät drucklos ist. Nehmen Sie den Verschluss dann vorsichtig ab. Siehe Abbildung 14.
4. Nehmen Sie den Verschluss des Ölablassventils ab und lassen Sie das Öl in einen geeigneten Behälter abfließen, um es anschließend zu entsorgen. Bringen Sie den Verschluss wieder an und ziehen Sie ihn fest. Drücken Sie die Taste F1, um den Vorgang fortzusetzen.
5. Auf dem Display wird folgende Meldung angezeigt:

PUMPE BIS SCHAUGLASMITTE MIT FRISCHÖL FÜLLEN

Füllen Sie an der Öleinfüllöffnung langsam Vakuumpumpenöl in die Pumpe ein, bis der Ölstand die Mitte des Schauglases erreicht. Bringen Sie den Verschluss wieder an der Einfüllöffnung an und ziehen Sie ihn fest. Drücken Sie die Taste F1, um zur Menüseite der Pumpenwartung zurückzugehen.

! ACHTUNG: Verhindern Sie Unfälle. Betreiben Sie das Gerät NICHT ohne Verschluss an der Öleinfüllöffnung, da die Vakuumpumpe bei Normalbetrieb druckbeaufschlagt ist.

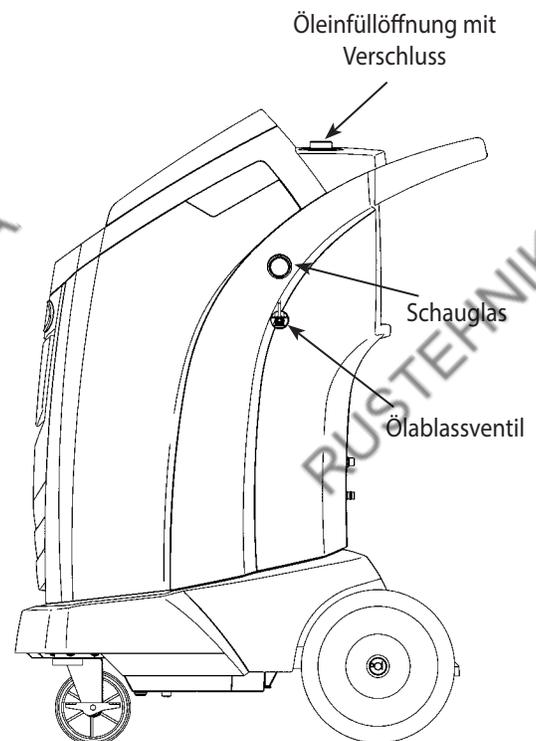


Abbildung 14

Achtung: Der Anwender ist für die Kontrolle des Ölstands und Reinheit des Öls der Vakuumpumpe zuständig. Wenn kontaminiertes Öl nicht aus der Vakuumpumpe abgelassen und gewechselt wird, wird die Vakuumpumpe irreparabel beschädigt.

Lecksuche

Um einen sicheren, umweltfreundlichen und wirtschaftlichen Betrieb zu gewährleisten, führt das Gerät in regelmäßigen Abständen (alle 10 Tage) eine Software-gesteuerte Eigenprüfung durch. Dabei werden die Kältemittel führenden Komponenten mit Druck beaufschlagt und auf einen Druckabfall geprüft, der Hinweis auf eine Leckage sein kann.

1. Nach der Einschaltung muss eine Lecksuche durchgeführt werden, auf dem Display wird folgende Meldung angezeigt:

DIE SCHLÄUCHE AN DIE SPÜLANSCHLÜSSE
ANSCHLIESSEN UND DIE VENTILE ÖFFNEN

Die Serviceschlauch-Schnellkupplungen an die Spülanschlüsse auf der Maschinenrückseite anschließen. Öffnen Sie die Schnellkupplungsventile, indem Sie die Gewinderinge im Uhrzeigersinn drehen.

2. Öffnen Sie die Ventile der Hochdruckseite und Niederdruckseite auf dem Bedienfeld des Geräts. Drücken Sie zum Start die Taste F1. Das Gerät führt eine Absaugung seiner Leitungen durch und zeigt folgende Meldung an:

ABSAUGEN LÄUFT

3. Das Gerät führt eine 30-sekündige Vakuumprüfung und zeigt folgende Meldung an:

VAKUUMPRÜFUNG LÄUFT

Falls die Vakuumprüfung nicht erfolgreich ist, fordert das Gerät mit einer Meldung zur Lecksuche auf.

4. Nachdem das Gerät die Vakuumprüfung erfolgreich abgeschlossen hat, werden seine internen Komponenten mit einem kontrollierten Druck beaufschlagt. Auf dem Display wird folgende Meldung angezeigt:

DRUCKPRÜFUNG LÄUFT

Dieser Druck wird fünf Minuten lang aufrecht erhalten und auf einen möglichen Druckabfall hin überwacht. Auf dem Display wird eine Rückwärtszählung in Minuten und Sekunden angezeigt.

- Falls ein akzeptabler Druckabfall erfasst wird, saugt das Gerät Kältemittel ab, schaltet in das Setup-Menü zurück und ist damit betriebsbereit.
- Wird ein nicht zulässiger Druckabfall erfasst, fordert das Gerät mit einer Meldung zur Lecksuche auf. Bringen Sie das Gerät in diesem Fall zur Reparatur in ein autorisiertes Robinair-Kundendienstzentrum.

Hinweis:

- Die Lecksuche kann auch jederzeit aus dem Setup-Menü aufgerufen werden.
- Falls Sie die Leckprüfung nach der entsprechenden Aufforderung nicht durchführen, fordert das Gerät Sie nach jedem Einschalten erneut dazu auf, bis die Prüfung durchgeführt wurde.



WARNUNG: Verhindern Sie Unfälle. Beachten Sie die gesetzlichen Vorschriften für den Transport von Geräten mit R1234yf-Füllung, wenn Sie das Klimageschäft zu einem Robinair-Kundendienst in der Nähe bringen.

Einstellen der Öleinspritzung

Die Öleinspritzfunktion des Geräts erfolgt automatisch und zeitgesteuert. Diverse Faktoren haben einen Einfluss auf die Genauigkeit.

Falls Sie ein sehr hoch- oder sehr niedrigviskoses Öl verwenden und bei sehr hohen bzw. sehr niedrigen Umgebungstemperaturen arbeiten, müssen Sie den Korrekturfaktor der Öleinspritzung evtl. korrigieren, um mit dem Gerät genau dosierte Öleinspritzungen zu erzielen.

Der Standard-Korrekturwert beträgt 0,25 und gilt für Ölviskosität PAG100 und Umgebungstemperatur 25 °C.

1. Um den Korrekturfaktor der Öleinspritzung zu verstellen, wählen Sie EINSTELLUNG ÖLEINSPRITZUNG im Setup-Menü. Auf dem Display wird folgende Meldung angezeigt:

X.XX ERHÖHEN, UM MEHR ÖL EINZUSPRITZEN, ODER VERRINGERN, UM WENIGER ÖL EINZUSPRITZEN
--

2. Geben Sie den gewünschten Korrekturfaktor mit Hilfe der Pfeiltasten und des Tastenfelds ein. Geeignete Werte liegen im Bereich von 0,01 bis 1,00.
 - Ein Korrekturfaktor von 1,00 verlängert die Dauer der Öleinspritzung und erhöht damit die eingespritzte Ölmenge.
 - Ein Korrekturfaktor von 0,01 verkürzt die Dauer der Öleinspritzung und verringert damit die eingespritzte Ölmenge.
3. Drücken Sie die Taste F1, um den Wert zu speichern. Drücken Sie die Taste F2, um zum Setup-Menü zurückzugehen, ohne den Wert zu speichern.

ACHTUNG: Um chemische Unverträglichkeiten mit Gerätekomponenten zu vermeiden, dürfen nur vom Fahrzeughersteller zugelassene Öle verwendet werden. Störungen, die durch die Verwendung nicht zugelassener Öle verursacht sind, führen zum Erlöschen der Gewährleistung.

Wartung

Kopfzeile des Ausdrucks editieren

So ändern Sie den Text, der auf dieser Seite angezeigt wird:

1. Wählen Sie im Setup-Menü den Eintrag „Kopfzeile des Ausdrucks editieren“.
2. Der Cursor steht im ersten auszufüllenden Feld.
Aktualisieren Sie den Text mit den Pfeiltasten und der Textfunktion der Zahlentasten:
 - PFEIL NACH LINKS dient als Rücktaste.
 - PFEIL NACH RECHTS bewegt den Mauszeiger nach rechts.
 - DIE TASTE NULL (0) dient als Leertaste.
 - NACHOBEN- und NACHUNTEN-Pfeil dienen zur Navigation zwischen den Zeilen.
3. Drücken Sie die Taste F1, um die Änderungen zu speichern und zum Setup-Menü zurückzugehen.
Drücken Sie die Taste F2, um zur vorherigen Kopfzeile zurückzugehen und das Setup-Menü zu beenden.

Nachlegen von Druckerpapier (nur Modell AC1234-3P)

Einlegen einer neuen Papierrolle in den Drucker:

1. Nehmen Sie die Abdeckung des Druckers ab, indem Sie die Lasche herausziehen (siehe Abbildung 15).
2. Nehmen Sie die alte Papierrolle heraus.
3. Legen Sie die neue Papierrolle ein. Der Papieranfang muss oben auf der Papierrolle liegen.
4. Bringen Sie die Abdeckung wieder am Drucker an. Der Papieranfang muss über der Walze liegen.

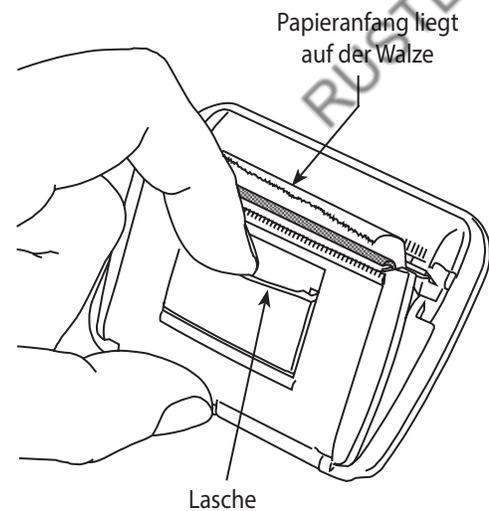


Abbildung 15

Einen Drucker installieren

Für alle Modelle ohne Drucker kann separat ein Drucker erworben und installiert werden. Sämtliche Gerätemodelle sind schon mit einem Kabel für den Drucker vorgerüstet. So installieren Sie einen Drucker:

1. Schalten Sie das Gerät AUS und trennen Sie es vom Stromnetz.
2. Entfernen Sie die vier Schrauben, mit denen die Verkleidung befestigt ist. Siehe Abbildung 11.
3. Klappen Sie die Verkleidung nach hinten und hängen Sie sie an die Rückseite des Gerätes ein (siehe Abbildung 12).
4. Entfernen Sie die zwei Schrauben in den oberen Ecken des Bedienfelds, um das Bedienfeld nach vorn zu schwenken.
5. Das Anschlusskabel des Druckers ist an der Rückseite des Einsatzes in der Aussparung für den Drucker befestigt. Entfernen Sie den Kabelbinder, um das Kabel zu lösen. Das Kabel wird bei einem späteren Arbeitsschritt angeschlossen.
6. Entfernen Sie den Einsatz aus der Aussparung für den Drucker, indem Sie auf die Laschen drücken und den Einsatz damit aus dem Bedienfeld herausdrücken.
7. Entfernen Sie die zwei Verriegelungen des Druckers. Hebeln Sie dazu mit einem flachen Schraubendreher an den Laschen am Ende der Verriegelung unter. Hebeln Sie die Lasche nach außen und schieben Sie den Arm dabei vom Drucker weg.
8. Setzen Sie den Drucker in die Aussparung des Bedienfelds ein. Drücken Sie auf die Frontseite des Druckers, bis er bündig mit dem Bedienfeld abschließt; das Papier muss oben aus dem Drucker auslaufen (siehe Bild 15).
9. Setzen Sie die Verriegelungsarme des Druckers von der Innenseite des Bedienfelds her wieder an. Drücken Sie sie hinein, bis sie die Innenseite des Bedienfelds berühren.
10. Machen Sie das freie Ende des Druckerkabels ausfindig, das Sie bei Schritt 5 vom Einsatz abgenommen haben.
11. Schließen Sie die zwei freien Stecker an die zugehörigen Steckverbinder auf der Rückseite des Druckers an.
12. Schwenken Sie das Bedienfeld zurück in seine Einbauposition und befestigen Sie es mit den zwei Schrauben, die bei Schritt 4 entfernt wurde.
13. Bringen Sie die Verkleidung wieder am Gerät an und schrauben Sie die bei Schritt 2 entfernten vier Schrauben ein.

Der Drucker ist hiermit betriebsbereit.

Ersatzteile und Glossar

Ersatzteile

Komponente	Auswechslung Teilenummer
Kalibriergewicht	SP01100095
Filter	34728
Ölablassbehälter	SP01100162
Öleinspritzbehälter	SP01100025
Drucker	SP00100099
Druckerpapier (3 Rollen)	SP00100087
ND Serviceanschluss	18122
HD Serviceanschluss	18123
Serviceschlauch (<i>Niederdruckseite, blau</i>)	70123
Serviceschlauch (<i>Hochdruckseite, rot</i>)	70124
Tankadapter (1234 <22 HW)	SP01100352
Tankadapter (1234 DNT)	SP01100353
Tankadapter (1234 >22 HW)	SP01100354
Vakuumpumpenöl (600 ml)	5604052
Vinyl-Staubschutzabdeckung (<i>Option</i>)	SP01100250



ACHTUNG: Verhindern Sie Unfälle. Verwenden Sie ausschließlich in dieser Teileliste aufgeführte Ersatzteile. Die Komponenten dieser Teileliste wurden von Robinair sorgfältig geprüft und ausgewählt.

Glossar

Klimaanlage: Die Fahrzeugklimaanlage, an der der Serviceeingriff durchgeführt wird.

Evakuieren: Absaugen von Feuchte und sonstigen nicht kondensierbaren Gasen aus der Klimaanlage mit einer Vakuumpumpe.

Kältemitteltank: Der speziell für dieses Gerät konstruierte, wiederauffüllbare Kältemittelbehälter; 8,5 kg (18.7 lb.) Fassungsvermögen.

Dichtheitsprüfung (Vakuum): Alle Kältemittel führenden Komponenten werden evakuiert und auf einen Druckanstieg überwacht, der Hinweis auf eine Leckage sein kann.

Gerät: Modell AC1234-3 oder AC1234-3P.

Lecksuche: Alle Kältemittel führenden Komponenten werden mit Druck beaufschlagt und auf einen Druckabfall geprüft, der Hinweis auf eine Leckage sein kann.

Absaugen / Recycling: Das Kältemittel wird aus einer Klimaanlage abgesaugt, gefiltert und im Kältemitteltank des Geräts gespeichert.

Kältemittel: R1234yf.

Meldung	Ursache	Lösung
KALIBRIERUNG FEHLGESCHLAGEN	Waage des Geräts ist nicht mehr kalibriert.	<i>Drücken Sie die Taste F1, um die KALIBRIERUNGSPRÜFUNG neu zu starten. Falls die Kalibrierung weiterhin nicht erfolgreich ist, müssen Sie die Prüfung abbrechen und ein autorisiertes Robinair-Kundendienstzentrum zwecks Reparatur kontaktieren.</i>
FÜLLVORGANG UNTERBROCHEN! ANSCHLÜSSE UND VENTILE PRÜFEN	Das Kältemittel ist im Tank oder im Gerät abgesperrt.	<i>Prüfen Sie, ob die Anschlüsse einwandfrei ausgeführt und die Ventile in der korrekten Stellung sind.</i>
DATENBANK NICHT INSTALLIERT	Das Gerät wurde nicht mit einer installierten Datenbank geliefert.	<i>Kontaktieren Sie ein autorisiertes Robinair-Kundendienstzentrum zwecks weiterer Auskünfte.</i>
TANKGEWICHT ZU HOCH	Schutzschaltung gegen Überfüllen ausgelöst. Gerät ist wegen zu viel Kältemittel im internen Tank blockiert.	<i>Kontaktieren Sie ein autorisiertes Robinair-Kundendienstzentrum zwecks weiterer Auskünfte.</i>
FILTER VERBRAUCHT FILTER GEWICHT XXX.XYY DEN FILTER JETZT ERSETZEN?	150 kg (331 lbs.) oder mehr Kältemittel wurden seit dem letzten Filterwechsel abgesaugt.	<i>Schlagen Sie den Wechsel des Vakuumpumpenöls im Abschnitt „Filterwartung“ dieses Handbuchs nach.</i>
HOCHDRUCK IM TANK	Das Gerät ist wegen zu hohem Druck im Kältemitteltank blockiert, vermutlich weil die Tanktemperatur zu hoch ist.	<i>Lassen Sie das Gerät vor einem erneuten Klimageservice erst abkühlen. Falls das Problem weiterbesteht, müssen Sie ein autorisiertes Robinair-Kundendienstzentrum zwecks weiterer Auskünfte kontaktieren.</i>
KÄLTEMITTELANALYSE NICHT ERFOLGREICH	Das analysierte Kältemittel ist kein R1234yf oder es ist kontaminiert.	<i>Saugen Sie kein verschmutztes Kältemittel mit dem Klimageservicegerät AC1234-3(P) ab. Verwenden Sie ein separates Kältemittel-Absauggerät für kontaminiertes Kältemittel.</i>
EINTRITTSDRUCK ZU HOCH FÜR VAKUUM	Bevor das Gerät die Klimaanlage evakuiert, prüft es, ob der Druck in der Anlage die Vakuumpumpe schädigen kann. In diesem Fall ist der Systemdruck höher als 0,35 bar.	<i>Drücken Sie die Taste F1. Schlagen Sie den Abschnitt ABSAUGEN in diesem Handbuch nach, denn in diesem Fall müssen Sie vor allen weiteren Schritten erst das Kältemittel absaugen.</i>

Fehlermeldungen

Meldung	Ursache	Lösung
IOE KOMMUNIKATION FEHLGESCHLAGEN	Kommunikation mit Relaisplatine fehlgeschlagen.	<i>Schalten Sie ein Reset der Relaisplatine, indem Sie die Taste F2 drücken. Falls das Problem weiterbesteht, müssen Sie ein autorisiertes Robinair-Kundendienstzentrum zwecks weiterer Auskünfte kontaktieren.</i>
KÄLTEMITTELMENGE UNZUREICHEND. FÜR DAS SPÜLEN DER ANLAGE SIND 6,00 KG ERFORDERLICH	Es ist nicht genug Kältemittel im Tank enthalten, um die Anlage zu spülen.	<i>Siehe den Abschnitt „Tankfüllen“ im Kapitel „Wartung“ in diesem Handbuch.</i>
KÄLTEMITTELMENGE UNZUREICHEND FÜR FÜLLVORGANG GEWÄHLT: XX.XXYY VERFÜGBAR: XX.XXYY	Wenn bei der gewünschten Füllmenge nach dem Füllvorgang weniger als 0,91 kg (2 lbs.) Kältemittel im Tank verbleibt, wird der Füllvorgang nicht gestartet.	<i>Siehe den Abschnitt „Tankfüllen“ im Kapitel „Wartung“ in diesem Handbuch.</i>
CODE UNGÜLTIG	Der am Gerät eingegebene Aktivierungscode ist nicht korrekt.	<i>Prüfen Sie, ob der eingegebene Aktivierungscode mit dem Code übereinstimmt, den Sie erhalten haben. Es wird zwischen Groß- und Kleinschrift unterschieden.</i>
UNGÜLTIGE SERIENNUMMER!	Die am Gerät eingegebene Seriennummer des Filters ist nicht korrekt.	<i>Prüfen Sie, ob die eingegebene Nummer mit der Seriennummer am Filter übereinstimmt. Prüfen Sie, ob der Filter schon einmal auf dem Gerät im Einsatz war.</i>
LECKSUCHE NICHT ERFOLGREICH	Es ist eine Leckstelle in der Fahrzeugklimaanlage vorhanden.	<i>Beenden Sie die Prüfung und reparieren Sie die Fahrzeugklimaanlage.</i>
KEIN DRUCK AN DEN ANSCHLÜSSEN ANSCHLÜSSE ÜBERPRÜFEN TROTZDEM ABSAUGEN?	Systemdruck ist geringer als 0,35 bar.	<i>Prüfen Sie, ob der Hochdruckschlauch (rot) und der Niederdruckschlauch (blau) angeschlossen und die Kupplungsventile geöffnet sind. Drücken Sie die Taste F1, um den Absaugvorgang zu starten; bzw. drücken Sie die Taste F2, um das ABSAUGEN zu überspringen und mit dem VAKUUM fortzufahren.</i>

Meldung	Ursache	Lösung
ÖLABLASSEN UNTERBROCHEN	Der Druck im Druckspeicher ist bis eine Minute vor dem geplanten Ölablassen nicht auf über 1,10 bar angestiegen.	<i>Es muss ein ausreichend hoher Druck im Druckspeicher vorhanden sein, um das vom Kältemittel abgeschiedene Öl aus dem System herauszupressen. Drücken Sie für einen erneuten Versuch die Taste F1; oder drücken Sie die Taste F2, um den Vorgang abubrechen.</i>
RESTLICHE ÖLSTANDZEIT XX:XXX JETZT ÖL WECHSELN?	Auf dem Display wird die restliche Filterkapazität bis zur Abschaltung des Geräts angezeigt.	<i>Schlagen Sie den Wechsel des Vakuumpumpenöls im Abschnitt „Filterwartung“ dieses Handbuchs nach.</i>
NICHT IM ZULÄSSIGEN BEREICH DRUCK IM DRUCKSPEICHER	Der Drucksensor im Druckspeicher liefert keine korrekten Messwerte.	<i>Beenden Sie die Prüfung und kontaktieren Sie ein autorisiertes Robinair-Kundendienstzentrum zwecks weiterer Auskünfte.</i>
NICHT IM ZULÄSSIGEN BEREICH LUFTSTROM	Der Luftmengenmesser liefert keine korrekten Messwerte.	<i>Beenden Sie die Prüfung und kontaktieren Sie ein autorisiertes Robinair-Kundendienstzentrum zwecks weiterer Auskünfte.</i>
NICHT IM ZULÄSSIGEN BEREICH DRUCK HD-SEITE	Der Drucksensor der Hochdruckseite liefert keine korrekten Messwerte.	<i>Beenden Sie die Prüfung und kontaktieren Sie ein autorisiertes Robinair-Kundendienstzentrum zwecks weiterer Auskünfte.</i>
NICHT IM ZULÄSSIGEN BEREICH TANKDRUCK	Der Drucksensor im Kältemitteltank liefert keine korrekten Messwerte.	<i>Beenden Sie die Prüfung und kontaktieren Sie ein autorisiertes Robinair-Kundendienstzentrum zwecks weiterer Auskünfte.</i>
NICHT IM ZULÄSSIGEN BEREICH TANKTEMPERATUR	Der Temperatursensor im Kältemitteltank liefert keine korrekten Messwerte.	<i>Beenden Sie die Prüfung und kontaktieren Sie ein autorisiertes Robinair-Kundendienstzentrum zwecks weiterer Auskünfte.</i>
NICHT IM ZULÄSSIGEN BEREICH DRUCK ND-SEITE	Der Drucksensor der Niederdruckseite liefert keine korrekten Messwerte.	<i>Beenden Sie die Prüfung und kontaktieren Sie ein autorisiertes Robinair-Kundendienstzentrum zwecks weiterer Auskünfte.</i>
DRUCKPRÜFUNG NICHT ERFOLGREICH LECKSUCHE DURCHFÜHREN	In der Fahrzeugklimaanlage ist eine Leckstelle vorhanden.	<i>Beenden Sie die Prüfung und reparieren Sie die Fahrzeugklimaanlage.</i>

Fehlermeldungen

Meldung	Ursache	Lösung
SERIENNUMMER WURDE SCHON VERWENDET	Die am Gerät eingegebene Seriennummer des Filters ist nicht korrekt.	<i>Der Filter wurde schon auf diesem Gerät verwendet. Besorgen Sie einen neuen Robinair Originalfilter mit Teilenummer 34728.</i>
EXTERNER BEHÄLTER IST LEER	Das Kältemittel kann nicht in den Kältemitteltank umgefüllt werden, da der externe Behälter leer ist.	<i>Brechen Sie die Prüfung ab und ersetzen Sie den externen Behälter.</i>
TANK VOLL. VOR WEITEREN SCHRITTEN KÄLTEMITTEL ENTNEHMEN	Der Kältemitteltank ist zu voll, um weiteres Kältemittel absaugen zu können.	<i>Führen Sie einen Füllvorgang durch, um dadurch Kältemittel aus dem Tank zu entnehmen, bevor Sie ein weiteres Absaugen aufrufen.</i>
TESTZEITRAUM ABGELAUFEN ZUM WEITEREN GEBRAUCH MUSS DAS GERÄT AKTIVIERT WERDEN	Falls das Gerät nicht innerhalb von 30 Tagen nach der Erstinbetriebnahme registriert und aktiviert wird, schaltet es sich ab und ist nicht länger betriebsbereit.	<i>Drücken Sie die Taste F1 und schlagen Sie im Abschnitt „Geräteaktivierung“ dieses Handbuchs die Registrierung des Geräts nach.</i>
VAKUUMPRÜFUNG NICHT ERFOLGREICH. LECKSUCHE DURCHFÜHREN	Es ist eine Leckstelle in der Fahrzeugklimaanlage vorhanden.	<i>Beenden Sie die Prüfung und reparieren Sie die Fahrzeugklimaanlage.</i>

Lagern und Transportieren des Geräts

Lagerung

Lassen Sie das Gerät nicht eingeschaltet, wenn sein Gebrauch nicht unmittelbar bevorsteht.

1. Trennen Sie das Gerät vom Stromnetz.
2. Wickeln Sie die Serviceschläuche zweimal um den Griff und schließen Sie sie an die Spülanschlüsse an. Siehe Abbildung 16.
3. Stellen Sie das Gerät an einem trockenen und sicheren Ort in ausreichender Entfernung zu offenen Flammen und heißen Oberflächen ab. Die Temperatur im Lagerungsbereich sollte zwischen -25 °C und $+60\text{ °C}$ betragen.
4. Arretieren Sie die vorderen Räder.

Transportieren des Geräts



WARNUNG: Verhüten Sie Unfälle. Beachten Sie die gesetzlichen Vorschriften für den Transport von Geräten mit R1234yf-Füllung, wenn Sie das Klimageservicegerät zu einem Robinair-Kundendienst in der Nähe bringen.

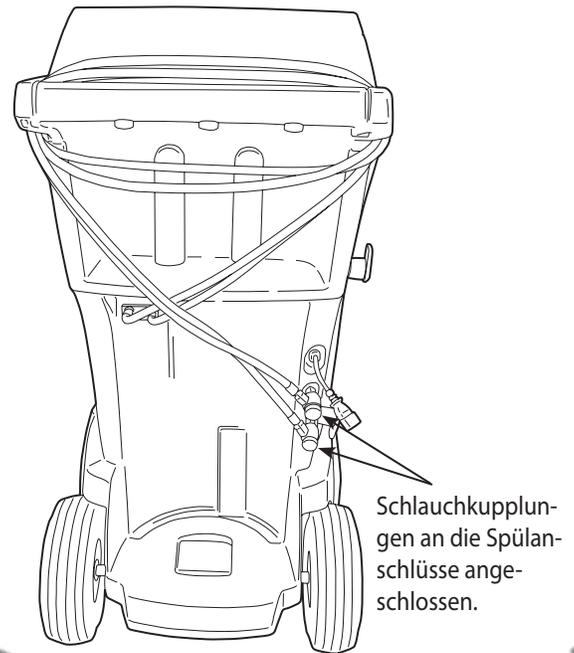


Abbildung 16

Entsorgen des Geräts

Entsorgen des Geräts



Nach Ende seiner Nutzungsdauer müssen Sie das Klimageschäft Robinair AC1234-3(P) entsprechend den gesetzlichen Vorschriften entsorgen.

- Staatliche Stellen und die Hersteller elektrischer und elektronischer Geräte (EEE) arbeiten gemeinsam daran, die Wiederverwendung und das Recycling elektrischer und elektronischer Altgeräte durch Einsammeln und eine planmäßige Verwertung zu vereinfachen.
- Entsprechend den Vorschriften der europäischen Richtlinie WEEE 2002/96/EG wurden spezielle Sammelstellen für elektrische und elektronische Altgeräte eingerichtet.
- Entsorgen Sie das Gerät nicht als Hausmüll. Lassen Sie es an einer Sammelstelle entsorgen. Eine nicht autorisierte Entsorgung elektrischer oder elektronischer Altgeräte ist verboten und steht unter Strafe.
- Die Wiederverwendung und das vorschriftsgemäße Recycling elektrischer bzw. elektronischer Altgeräte (EEE) schont die Umwelt und dient dem Gesundheitsschutz der Menschen.

Entsorgung von Wertstoffen

Der Gerätebetreiber muss klären, ob ein Werkstoff zum Zeitpunkt seiner Entsorgung als Sondermüll eingestuft ist. Der Betreiber muss sämtliche einschlägigen Gesetze und Vorschriften beachten.

1. Geben Sie das aus Klimaanlage abgelaugte Kältemittel bei Kältemittellieferanten zwecks Recycling oder Entsorgung ab.
2. Geben Sie die aus Klimaanlage rückgewonnenen Schmierstoffe bei einer Altöl-Sammelstelle ab.
3. Entsorgen Sie das Vakuumpumpenöl entsprechend den in Ihrem Land geltenden gesetzlichen Vorschriften.

Entsorgen des Geräts

1. Öffnen Sie das Leitungssystem und lassen Sie das Kältemittel aus dem Gerät ab. Entleeren Sie den Kältemittelbehälter vollständig, beachten Sie dazu die einschlägigen gesetzlichen Vorschriften.
2. Übergeben Sie das Gerät an eine geeignete Wertstoffsammelstelle.

Entsorgen von Batterien



Entsorgen Sie Batterien nach Ablauf ihrer Nutzungsdauer entsprechend den einschlägigen gesetzlichen Vorschriften. Batterien müssen korrekt recycelt oder entsorgt werden. Geben Sie Batterien nicht in den Hausmüll.



Verhindern Sie Unfälle, werfen Sie Batterien nicht ins Feuer.

Descrizione: stazione di recupero, riciclo e ricarica per l'uso con impianti A/C contenenti R1234yf.

INFORMAZIONI SUL PRODOTTO

Annotare e archiviare il numero di serie e l'anno di fabbricazione di questa stazione. Queste informazioni sono riportate sulla targa dati della stazione.

AC1234-3

Numero di serie: _____ Anno di fabbricazione: _____

DECLINAZIONE DI RESPONSABILITÀ: le informazioni, le illustrazioni e i dati tecnici contenuti in questo manuale sono basati sulle informazioni più recenti disponibili al momento della pubblicazione. L'azienda si riserva il diritto di apportare in qualsiasi momento modifiche senza preavviso. Inoltre ROBINAIR non sarà responsabile di errori contenuti in questo documento né di danni incidentali o indiretti (incluse perdite di profitti) in relazione alla fornitura, alle prestazioni o all'utilizzo di questo materiale. Se necessario, richiedere ulteriori informazioni sulla sicurezza e sulla tutela della salute agli appropriati enti governativi e ai produttori del veicolo, del refrigerante e del lubrificante.

Precauzioni.....	2
Introduzione	
Dati tecnici	5
Caratteristiche della stazione AC1234-3(P)	6
Funzioni del pannello di controllo	7
Funzioni del menu Impostazioni.....	8
Impostazioni iniziali	
Disimballaggio della stazione.....	9
Disimballaggio del kit di accessori	9
Accensione della stazione	9
Selezione della lingua	10
Selezione dell'unità di misura.....	10
Impostazione della data e ora	10
Modifica intestazione stampa	10
Pulizia interna automatica	11
Rabbocco del serbatoio	11
Attivazione unità	11
Istruzioni per l'uso	
Inserimento dati servizio	14
Recupero	15
Vuoto.....	17
Lavaggio tubi	18
Carica.....	19
Funzione automatica	20
Lavaggio.....	21
Manutenzione	
Manutenzione generale.....	13
Protezione elettrica	24
Interruttore principale di alimentazione lucchettabile	24
Caricamento della lingua	24
Rabbocco del serbatoio	25
Manutenzione filtro	26
Verifica della taratura	28
Cambio dell'olio della pompa del vuoto.....	29
Controllo perdite.....	30
Regolazione iniezione olio.....	31
Modifica intestazione stampa	32
Sostituzione della carta della stampante	32
Installazione di una stampante	33
Elenco dei ricambi.....	34
Glossario	34
Messaggi diagnostici	35
Immagazzinaggio e trasporto della stazione.....	39
Smaltimento dell'apparecchiatura	40

Precauzioni

Legenda dei termini di sicurezza utilizzati nel presente manuale

Ciascun termine di sicurezza indica il grado o il livello di gravità del rischio.



PERICOLO: indica una situazione di pericolo imminente che, se non evitata, causerà infortuni gravi o mortali.



AVVERTENZA: indica una situazione di possibile pericolo che, se non evitata, può causare infortuni gravi o mortali.



ATTENZIONE: indica una situazione di possibile pericolo che, se non evitata, può causare infortuni moderati o di minore entità.

ATTENZIONE: utilizzata senza il simbolo di avviso per la sicurezza, indica una situazione di possibile pericolo che, se non evitata, può causare danni alle cose.

Questi avvisi si riferiscono a evenienze note a Robinair. L'azienda non può valutare tutti i possibili rischi né avvisare in merito. L'utente deve accertarsi che le condizioni e le procedure non mettano a rischio la sua incolumità.

Legenda degli adesivi di sicurezza apposti alla stazione AC1234-3(P)

	Leggere attentamente le istruzioni.
	Non usare all'aperto in caso di pioggia o umidità elevata.
	Obbligo di usare guanti.
	Obbligo di usare occhiali di protezione.
	Tensione alternata.
	Messa a terra di protezione.
	Pericolo di folgorazione.



AVVERTENZA: Per prevenire infortuni,



CONSENTIRE SOLO A PERSONALE QUALIFICATO DI USARE LA STAZIONE. Prima di mettere in funzione la stazione, leggere e seguire le istruzioni e le avvertenze contenute in questo manuale. L'operatore deve avere familiarità con gli impianti di condizionamento dell'aria e refrigerazione, con i refrigeranti e i pericoli dei componenti sotto pressione. Se l'operatore non è in grado di leggere questo manuale, le istruzioni per l'uso e le precauzioni vanno lette e spiegate nella sua lingua madre.



USARE LA STAZIONE AC1234-3(P) COME ILLUSTRATO IN QUESTO MANUALE. Usando la macchina in modo diverso da come è stata progettata se ne compromette la funzionalità e si annullano le protezioni di cui è dotata.



IL CILINDRO PRESSURIZZATO CONTIENE REFRIGERANTE LIQUIDO. Non riempire eccessivamente il serbatoio interno, in quanto si può causare un'esplosione e infortuni gravi o mortali. Non recuperare il refrigerante in contenitori non riutilizzabili; adoperare solo contenitori riutilizzabili omologati dotati di valvole di sicurezza alta pressione.



I TUBI FLESSIBILI POSSONO CONTENERE REFRIGERANTE LIQUIDO SOTTO PRESSIONE. Il contatto con il refrigerante può causare infortuni, cecità e congelamento della pelle. Indossare un equipaggiamento protettivo che includa occhiali di sicurezza e guanti. Scollegare i tubi procedendo con estrema cautela. Accertarsi che la fase sia stata completata prima di scollegare la stazione, per evitare l'emissione di refrigerante nell'atmosfera.



NON INALARE REFRIGERANTE O LUBRIFICANTE ALLO STATO DI VAPORE O NEBULIZZATO Il refrigerante R1234yf riduce la quantità di ossigeno disponibile per la respirazione, causando sonnolenza e vertigini. L'esposizione a concentrazioni elevate di R1234yf causa asfissia, lesioni oculari, al naso, alla gola e ai polmoni, e può nuocere al sistema nervoso centrale. Usare la stazione in luoghi in cui sia presente un sistema meccanico di ventilazione che completi il ricambio dell'aria almeno una volta all'ora. Se si verifica una fuoriuscita accidentale dall'impianto, ventilare l'area di lavoro prima di riprendere le operazioni.

NON DISPERDERE IL REFRIGERANTE NELL'AMBIENTE. Una tale precauzione è necessaria per prevenire la presenza di refrigerante nell'ambiente di lavoro.



PER RIDURRE IL RISCHIO DI INCENDIO, non usare la macchina presso contenitori di benzina o altri liquidi infiammabili né vicino a punti in cui si è versata una di tali sostanze.

PER RIDURRE IL RISCHIO DI INCENDIO, non usare una prolunga, poiché potrebbe surriscaldarsi e causare un incendio. Se è necessario usare una prolunga, sceglierne una quanto più corta possibile e con sezione di almeno 14 AWG.

PER RIDURRE IL RISCHIO DI INCENDIO, non usare la macchina presso fiamme e superfici ad alta temperatura. Il refrigerante può decomporsi ad alta temperatura ed emettere nell'ambiente sostanze tossiche che possono essere nocive per l'utente.

PER RIDURRE IL RISCHIO DI INCENDIO, non usare la macchina in ambienti contenenti gas o vapori esplosivi.

PER RIDURRE IL RISCHIO DI INCENDIO, non usare la macchina in aree o zone con classificazione ATEX. Proteggerla da condizioni che potrebbero causare un guasto elettrico o altri pericoli correlati all'interazione con l'ambiente.



NON USARE ARIA COMPRESSA PER SOTTOPORRE LA MACCHINA O L'IMPIANTO A/C DEL VEICOLO A UNA PROVA DI PRESSIONE O DI PERDITA. Le miscele di aria e refrigerante R1234yf possono essere combustibili a pressioni elevate; sono potenzialmente pericolose e possono causare un incendio o un'esplosione e quindi infortuni o danni alle cose.



ALTA TENSIONE ALL'INTERNO DELLA MACCHINA; RISCHIO DI FOLGORAZIONE. L'esposizione può causare infortuni; scollegare l'alimentazione prima di eseguire la manutenzione o riparazioni della macchina.

MAI LASCIARE LA MACCHINA SOTTO TENSIONE SE NON È IN PROGRAMMA IL SUO USO IMMEDIATO. Scollegare l'alimentazione elettrica prima di un lungo periodo di inattività o prima di eseguire la manutenzione interna. Per accertarsi che personale non autorizzato non possa mettere in funzione la macchina, usare la funzione che consente di lucchettare l'interruttore principale di alimentazione.

NON MODIFICARE LA VALVOLA DI SICUREZZA ALTA PRESSIONE NÉ LE IMPOSTAZIONI PRINCIPALI DEL SISTEMA. Usando la macchina in modo diverso da come è stata progettata se ne compromette la funzionalità e si annullano le protezioni di cui è dotata.

Precauzioni

ATTENZIONE. Per prevenire danni all'apparecchiatura



PER PREVENIRE CONTAMINAZIONE INCROCIATA, USARE QUESTA MACCHINA SOLO CON IL REFRIGERANTE R1234YF. La macchina è dotata di raccordi speciali per il recupero, riciclo e ricarica solo del refrigerante R1234yf. Non tentare di adattarla per l'uso con un altro refrigerante. Non miscelare tipi diversi di refrigerante attraverso un impianto o nello stesso contenitore; si causerebbero danni gravi alla stazione e all'impianto A/C del veicolo.

NON USARE LA STAZIONE ALLA LUCE SOLARE DIRETTA. Collocare la macchina lontano da fonti di calore, come la luce solare diretta, che possono causare temperature eccessive. L'uso della macchina in condizioni ambientali normali (da 10 a 50 °C) mantiene le pressioni sotto limiti ragionevoli.



NON USARE LA STAZIONE ALL'APERTO IN CASO DI PIOGGIA O UMIDITÀ ELEVATA. Proteggerla da condizioni che potrebbero causare un guasto elettrico o altri pericoli correlati all'interazione con l'ambiente.

NON USARE LA STAZIONE IN AREE IN CUI ESISTE IL RISCHIO DI ESPLOSIONE.

COLLOCARE LA STAZIONE SU UNA SUPERFICIE PIANA E IN CONDIZIONI DI ILLUMINAZIONE SUFFICIENTE; BLOCCARNE LE RUOTE ANTERIORI E NON SOTTOPORLA A VIBRAZIONI.

Per ulteriori informazioni sulla sicurezza e sulla tutela della salute, rivolgersi al produttore del refrigerante.

Dispositivi di protezione

La stazione Robinair AC1234-3(P) è dotata dei seguenti dispositivi di protezione:

- Valvole di sicurezza alta pressione.
- Un pressostato di massima pressione che arresta il compressore quando viene rilevata una pressione eccessiva.



AVVERTENZA: La manomissione di questi dispositivi di protezione può causare infortuni gravi.

Test serbatoio per refrigerante

La documentazione ufficiale e le prove periodiche necessarie per gli strumenti pressurizzati sono regolamentati da leggi e/o norme nazionali che dipendono dal paese in cui si usa il serbatoio per refrigerante. L'utilizzatore è responsabile del rispetto delle leggi, delle norme e del regolamento tecnico. Durante il normale servizio, non è necessaria alcuna manutenzione dei serbatoi per refrigerante. Per ulteriori informazioni vedere la sezione Manutenzione.

La stazione Robinair AC1234-3(P) è concepita per l'uso su veicoli dotati di impianto A/C con R1234yf ed è compatibile con le normali procedure e le attuali apparecchiature di manutenzione. È un sistema a singola passata (ossia, il refrigerante fluisce attraverso un filtro una sola volta) che soddisfa le specifiche relative a refrigeranti riciclati. Seguire le procedure di manutenzione consigliate per l'impiego del refrigerante R1234yf.

Nota: gli impianti con R1234yf richiedono oli speciali. Per i dati tecnici dell'olio, consultare il manuale di manutenzione fornito dal produttore dell'impianto A/C.

Dati tecnici

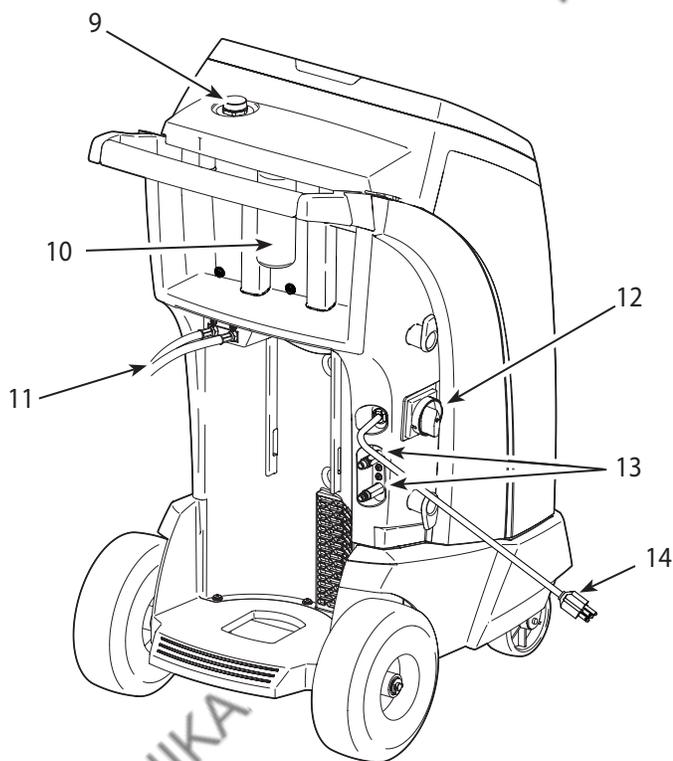
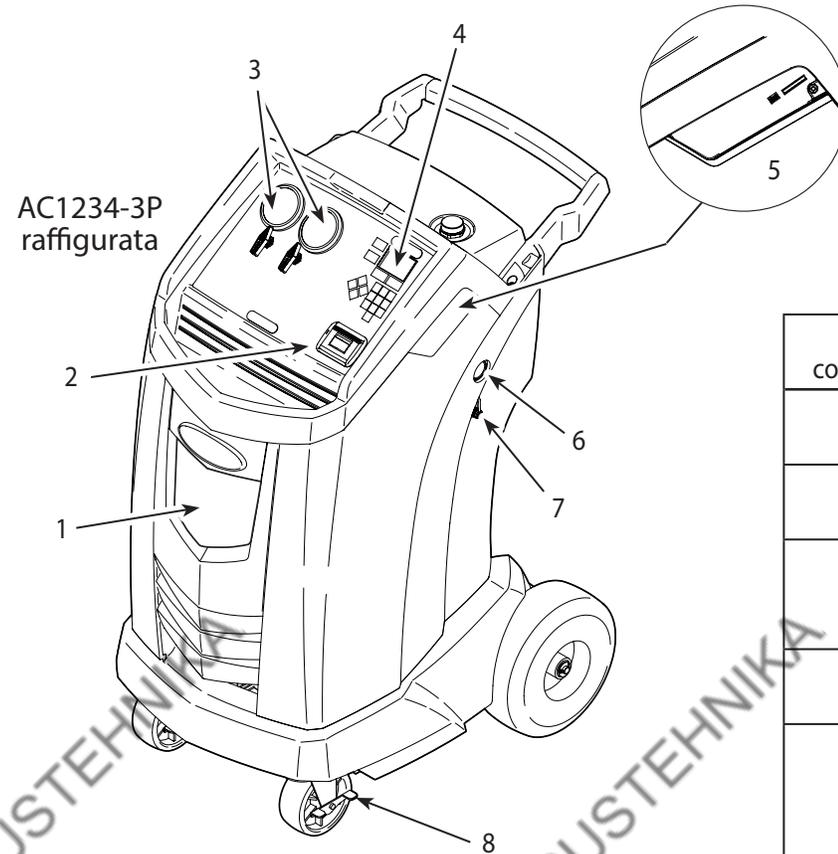
Compressore	1/4 CV
Dimensioni	107 cm x 61 cm x 76 cm
Display	LCD grafico VA 3,94 x 6,34 cm
Filtro	150 kg
Umidità	32,2 °C (90 °F), 80% umidità relativa senza condensa
Manometro	Ø 63 mm
Pressione massima	18 bar
Rumorosità	<70 dB(A)
Tensione nominale	230 V, 50/60 Hz
Serbatoio olio	355 ml
Temperatura di esercizio	da 10 °C a 50 °C
Consumo di corrente	1100 VA
Cilindrata aria libera pompa	2,5 CFM (70 l/m) 50 Hz
Tubi di servizio	250 cm / SAE J2888
Capacità serbatoio	8,50 kg (18,74 lb)
Peso	67 kg



AC1234-3 raffigurata

Introduzione

Caratteristiche della stazione AC1234-3(P)



N. componente	Descrizione
1	Serbatoio scarico olio
2	Stampante (solo AC1234-3P)
3	Manometri e valvole pannello di bassa pressione (blu) e alta pressione (rosso)
4	Display grafico e tastierino
5	Collegamenti USB e scheda SD; doppio isolamento a 2224 V _{RMS} rispetto ai cavi di rete
6	Indicatore di livello olio pompa del vuoto
7	Raccordo scarico olio pompa del vuoto
8	Fermo ruota
9	Tappo e attacco rabbocco olio pompa vuoto
10	Serbatoio iniezione olio
11	Tubi di servizio
12	Interruttore principale di alimentazione lucchettabile
13	Raccordi di lavaggio per i tubi di servizio
14	Cavo di alimentazione

Funzioni del pannello di controllo

FRECCIA SU per selezionare l'opzione precedente di un menu o aumentare il volume dell'audio.

FRECCIA GIÙ per selezionare l'opzione successiva di un menu o diminuire il volume dell'audio.

FRECCIA A DESTRA per scorrere alla schermata successiva o fare avanzare velocemente il video.

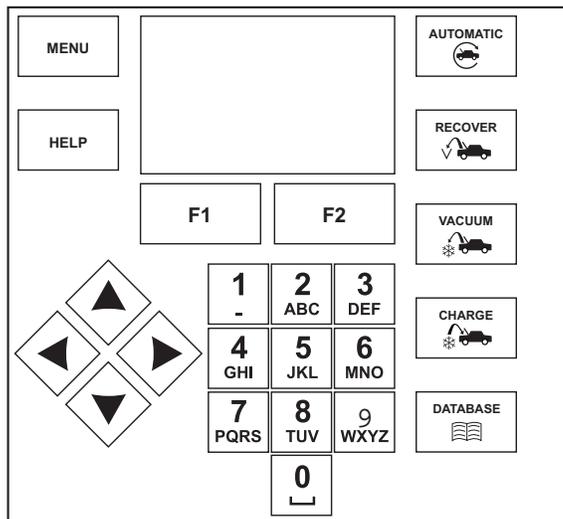
FRECCIA A SINISTRA per scorrere alla schermata precedente o riavvolgere il video.

F1 effettua una selezione o risponde a una domanda.

F2 effettua una selezione o risponde a una domanda.

HELP per visualizzare informazioni sulla schermata attuale.

MENU accede a funzioni e parametri supplementari.



Tastierino del pannello di controllo



AUTOMATIC per attivare un menu che agevola l'impostazione di una funzione automatica di recupero/vuoto/verifica di perdite/carica.



RECOVER per attivare la sequenza di recupero del refrigerante dall'impianto A/C del veicolo.



VACUUM per attivare la funzione di vuoto nell'impianto A/C del veicolo per rimuovere aria e condensa.



CHARGE per attivare la sequenza di carica dell'impianto A/C del veicolo con una quantità programmata di refrigerante.



DATABASE per visualizzare informazioni sulla quantità di carica in base al modello del veicolo.

Introduzione

Funzioni del menu Impostazioni

Accedere alle seguenti funzioni premendo il pulsante Menu e selezionando Impostazioni.

Verifica della taratura

Per verificare la taratura della bilancia interna. Vedi Verifica della taratura nella sezione Manutenzione del presente manuale.

Modifica intestazione stampa

Programma le informazioni che compariranno sulla stampa riassuntiva ogni volta che viene usata la funzione di stampa.

Manutenzione del filtro

Il filtro rimuove acidi, particelle e condensa dal refrigerante. Per rispondere ai requisiti, è obbligatorio sostituire il filtro dopo che sono stati filtrati 150 kg (331 lb) di refrigerante.

Questa voce del menu visualizza la capacità rimanente del filtro prima che la stazione si blocchi e cessa di funzionare. Vedi Manutenzione filtro nella sezione Manutenzione.

Lavaggio tubi

Per ripulire la stazione dai residui di olio in preparazione della manutenzione del veicolo successivo.

Regolazione iniezione olio

L'accuratezza dell'iniezione olio dipende da alcune variabili. Utilizzare questa voce del menu per regolare il fattore di correzione di iniezione dell'olio quando si utilizzano oli a viscosità molto alta o molto bassa, o se la macchina funziona con temperature ambiente molto alte o molto basse. Per istruzioni vedi Regolazione iniezione olio nella sezione Manutenzione del manuale.

Menu Produzione

Riservato all'uso esclusivamente di tecnici della produzione di Robinair.

Manutenzione pompa

Questa voce del menu visualizza il tempo rimanente fino al successivo cambio dell'olio della pompa del vuoto. Per ottenere prestazioni ottimali dalla pompa del vuoto, sostituire l'olio ogni volta che si sostituisce il filtro. Vedi Cambio dell'olio della pompa del vuoto nella sezione Manutenzione.

Gestione refrigerante

Visualizza la quantità di refrigerante recuperato, caricato e reintegrato (per la durata della stazione) e filtrato dall'ultimo cambio del filtro.

Selezione della lingua

Selezionare una lingua tra quelle visualizzate. La lingua predefinita è l'inglese.

Menu Assistenza

Riservato all'uso da parte dei centri di assistenza Robinair.

Selezione dell'unità di misura

Per programmare la macchina in modo da visualizzare i valori in chilogrammi o libbre. La visualizzazione predefinita è chilogrammi.

Impostazione della data e ora

Per programmare nella stazione l'ora e la data correnti.

Lavaggio

Fornisce un metodo per rimuovere olio forzando liquido refrigerante attraverso il sistema A/C o i componenti di un sistema A/C. Dopo il lavaggio, il refrigerante viene recuperato dalla macchina e filtrato dal circuito di ricircolo.

Informazioni sistema

Visualizza il livello di revisione del software della stazione.

Rabbocco del serbatoio

Per trasferire il refrigerante da un serbatoio esterno al serbatoio interno. Il valore di rabbocco del serbatoio deve essere regolato per eccesso o difetto, per soddisfare le esigenze dell'utente. Vedi Rabbocco del serbatoio nella sezione Manutenzione.

Attivazione unità

La mancata registrazione e attivazione della macchina entro 30 giorni dall'avviamento iniziale causano il bloccaggio della macchina e l'impossibilità di utilizzarla. Selezionare questa voce del Menu Impostazioni e seguire le istruzioni che compaiono sullo schermo prima che il periodo di prova scada.

Visualizza dati servizio

Visualizza le informazioni sul veicolo inserite nella schermata Inserimento dati servizio. I veicoli vengono visualizzati per data di servizio e numero VIN. Nel database vengono salvati fino a 25 VIN.

Disimballaggio della stazione

1. Togliere la fascette dalla scatola.
2. Rimuovere il contenitore in cartone superiore, il vassoio sagomato e le tavole angolari.
3. Rimuovere la custodia dal contenitore in cartone inferiore.
4. Far rotolare con cautela l'unità in avanti, facendola uscire dal pallet, evitando di far subire colpi improvvisi alla stazione.



AVVERTENZA: per prevenire infortuni mentre si lavora con il refrigerante, leggere e seguire le istruzioni e le avvertenze di questo manuale, e indossare un equipaggiamento protettivo, come occhiali e guanti di sicurezza.

Disimballaggio del kit di accessori

Estrarre il kit dalla scatola e rimuovere l'imballaggio di plastica.

Kit di accessori

Peso di taratura 533 g		Adattatori tubo flessibile per rabbocco del serbatoio (3)	
Guarnizioni (3)		Busta di plastica contenente il manuale per l'uso, la scheda della garanzia (da compilare e spedire), le schede dati sulla sicurezza dei materiali (MSDS) pertinenti e l'elenco dei centri di assistenza.	

Accensione della stazione

1. Svolgere il cavo di alimentazione dal manico, e collegarlo a una presa con la giusta tensione, dotata di messa a terra.
2. Collocare la stazione in modo che la spina e l'interruttore di alimentazione siano a portata di mano dell'operatore. Verificare che la griglia di ventilazione, sulla parte posteriore della stazione, non sia ostruita.
3. Bloccare le ruote anteriori.
4. Girare la leva di accensione dell'interruttore di alimentazione in senso orario per accendere la stazione. Vedere la Figura 1.

La prima volta che viene accesa la stazione, si avvia automaticamente la modalità di Impostazione iniziale.

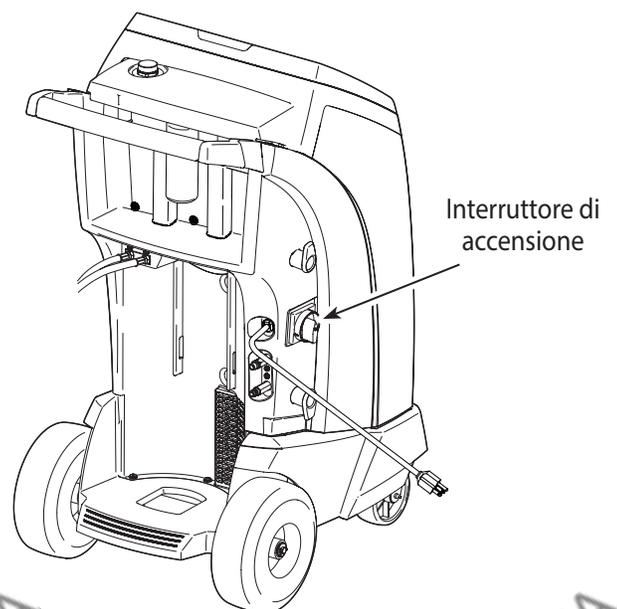


Figura 1

Impostazioni iniziali

Selezione della lingua

Scegliere la lingua dell'interfaccia utente. La lingua predefinita è l'inglese.

1. Usare il pulsante freccia SU o GIÙ per scorrere le lingue disponibili, una riga per volta.
2. Premere F1 per impostare la lingua prescelta.

Nota: Per aggiornare una lingua esistente o per aggiungerne una nuova, consultare Caricamento della lingua nella sezione Manutenzione del manuale.

Selezione dell'unità di misura

Impostare le unità di misura da visualizzare. Quelle predefinite sono le unità del sistema metrico.

1. Usare il pulsante freccia SU o GIÙ per selezionare tra sistema metrico o imperiale britannico.
2. Premere F1 per rendere effettiva l'unità di misura visualizzata.

Impostazione della data e ora

Usare i pulsanti freccia per spostare il cursore. Usare il tastierino per modificare le informazioni visualizzate.

1. Usare i pulsanti freccia SU e GIÙ per modificare l'elemento visualizzato: giorno, mese, anno, o ora.
2. Usare l'interfaccia multitocco sul tastierino numerico per modificare le informazioni:
3. Premere F1 per salvare.

Modifica intestazione stampa

Questa stazione ha la possibilità di salvare informazioni su recupero, vuoto, caricamento, e lavaggio per massimo 25 veicoli. Le informazioni caricate in Modifica intestazione stampa compariranno su ogni stampata. Se si desidera aggiungere una stampante alla stazione, consultare Installazione di una stampante nella sezione Manutenzione del manuale.

1. Inserire il testo utilizzando i pulsanti freccia e l'interfaccia multitocco sul tastierino numerico:
 - il pulsante freccia SINISTRA funge da tasto backspace.
 - Il pulsante freccia DESTRA consente di spostare il cursore a destra.
 - Il tasto ZERO (0) funge da barra spaziatrice.
 - Per navigare all'interno delle righe, utilizzare i tasti freccia SU e GIÙ.
2. Premere F1 per continuare; premere F2 per tornare all'intestazione precedente.

Pulizia interna automatica

A questo punto la macchina pulisce i suoi tubi interni prima di procedere con le impostazioni.

1. Controllare dall'indicatore il livello dell'olio nella pompa del vuoto.
2. Quando viene visualizzato l'apposito messaggio, collegare i tubi di servizio della stazione ai raccordi di lavaggio, come illustrato nella Figura 2.
3. Aprire gli attacchi dei tubi di servizio girando le ghiera in senso orario.
4. Premere F1. La stazione esegue la pulizia dei suoi tubi interni e quindi emette un segnale acustico quando il processo è completato.

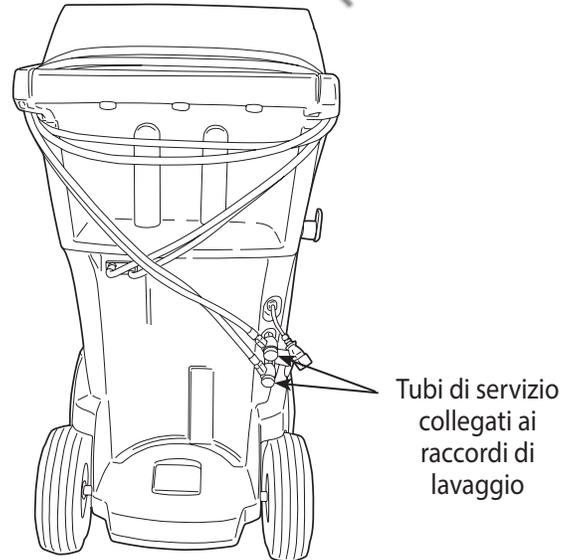


Figura 2

Rabbocco del serbatoio

Questa procedura trasferisce refrigerante da un serbatoio esterno al serbatoio interno della stazione. La capacità massima del serbatoio interno è di 8,5 kg. Utilizzare i pulsanti freccia per spostare il cursore; utilizzare il tastierino per inserire un valore.

1. La stazione visualizza i campi per immettere la quantità di rabbocco desiderata, la quantità ricaricabile di refrigerante, e la quantità di refrigerante recuperabile all'interno del serbatoio interno. Inserire la quantità di rabbocco del serbatoio desiderata. Nota: aggiungere almeno 3,6 kg di refrigerante per assicurarsi che ne sia disponibile una quantità sufficiente per la carica.
2. Collegare il flessibile lato bassa pressione (blu) al raccordo del liquido sul serbatoio esterno.
3. Aprire la valvola lato bassa pressione (blu) sul pannello di controllo.
4. Aprire la valvola dell'attacco sul tubo girando la ghiera in senso orario.
5. Aprire la valvola del serbatoio esterno.
6. Posizionare il serbatoio esterno in modo tale da fare fluire il refrigerante nell'attacco.
7. Premere F1 per avviare il processo di riempimento del serbatoio. La stazione inizia a riempire il serbatoio di stoccaggio interno. Aggiungere almeno 3,6 kg di refrigerante per assicurarsi che ne sia disponibile una quantità sufficiente per la carica. Questa fase dura 15 – 20 minuti.

Nota:

Quantità ricaricabile: la quantità di refrigerante contenuta nel serbatoio interno, che è possibile caricare nell'impianto A/C di un veicolo.

Quantità recuperabile: la quantità totale di refrigerante supplementare che è possibile recuperare nel serbatoio interno.

Impostazioni iniziali

Rabbocco del serbatoio (segue)

8. La stazione si arresta quando la quantità specificata di refrigerante è stata trasferita nel serbatoio interno o quando il serbatoio esterno è vuoto. Seguire le istruzioni sul display.
9. Chiudere la valvola lato bassa pressione (blu) sul pannello di controllo.
10. Chiudere la valvola dell'attacco girando la ghiera in senso antiorario.
11. Chiudere la valvola del serbatoio esterno.
12. Premere F2 per tornare al menu Impostazioni.

La stazione è pronta per il funzionamento.

Nota:

- non è necessario tarare la bilancia, poiché è stata tarata in fabbrica.
- Al termine del riempimento del serbatoio, il display non mostra una quantità uguale a quella programmata.

Il display mostra la quantità di refrigerante disponibile per la carica, pari circa a 0,91 kg in meno della quantità totale di refrigerante contenuto nel serbatoio.

Attivazione unità

La mancata registrazione e attivazione della macchina entro 30 giorni dall'avviamento iniziale causano il bloccaggio della macchina e l'impossibilità di utilizzarla.

1. Selezionare Attivazione unità dal menu Impostazioni. Sul display compare

XX GIORNI DEL PERIODO
DI PROVA RIMASTI PER ATTIVARE
L'UNITÀ. ATTIVARE ADESSO?

2. Premere F1 per avviare il processo di attivazione. Sul display compare

CODICE PERSONALE
IDENTIFICATIVO DEL PRODOTTO
XXXXXXXXXXXX
[HTTPS://REGISTER.SERVICESOLUTIONSPORTAL.COM](https://register.servicesolutionsportal.com)
PER CODICE DI ATTIVAZIONE

3. Aprire un browser Internet su un personal computer e inserire l'indirizzo mostrato nella fase 2.
4. Inserire nome utente e password, ed effettuare il login per accedere al sito web. Nota: se si accede al sito per la prima volta, fare clic sul pulsante REGISTRAZIONE per creare il proprio nome utente e la propria password.
5. Inserire il Codice personale identificativo della stazione per ricevere un codice di attivazione.
6. Sulla stazione AC1234-3(P), premere F1. La stazione visualizza

IL CODICE PERSONALE IDENTIFICATIVO DEL
PRODOTTO
XXXXXXXXXXXX
INSERIRE IL CODICE:
XXXXXXXXXXXXXXXXXXXX

Inserire il codice di attivazione nel campo corretto.
Nota: inserire il codice esattamente come è stato ricevuto. Se necessario, usare le maiuscole.

7. Annotare il codice di attivazione su un pezzo di carta e conservarlo in un luogo sicuro. Premere F1.
8. La stazione visualizza

ATTIVAZIONE RIUSCITA.

Premere F1. L'attivazione della stazione AC1234-3(P) è andata a buon fine.

Istruzioni per l'uso — Inserimento dati servizio

Inserimento dati servizio

Dopo avere selezionato qualsiasi funzione di servizio, è possibile inserire informazioni sul veicolo e salvarle nel database della stazione.

1. Sul display compare

INSERISCI NUOVO RECORD DATI DI SERVIZIO
--

2. Premere F1 per inserire un nuovo record, o scorrere all'interno dei record per selezionare un veicolo precedentemente sottoposto a manutenzione e premere F1. Sul display compare

INSERISCI DATI SERVIZIO
VIN: _____
PERCORRENZA: _____
MARCA: _____
MODELLO: _____

3. Utilizzare i pulsanti freccia per spostarsi tra le righe e il tastierino multitocco per inserire il testo.

Le informazioni inserite su questa schermata vengono salvate per data e per numero di identificazione del veicolo (VIN, Vehicle Identification Number). Il database salva le 25 voci più attuali, visualizzando la più recente in cima all'elenco.

Le informazioni compaiono inoltre sulla stampa riassuntiva di servizio, se si utilizza la stazione AC1234-3P.



Recupero di refrigerante da un veicolo

1. Svuotare il serbatoio di scarico dell'olio prima di iniziare un'operazione di recupero. Rimuovere il serbatoio dalla stazione tirandolo in senso rettilineo verso il basso, senza ruotarlo o farlo oscillare. Vedi Figura 3.
2. Collegare il tubo di alta pressione (rosso) e quello di bassa pressione (blu) all'impianto A/C del veicolo.
3. Aprire la valvola dell'attacco su ciascun tubo girando la ghiera in senso orario.
4. Aprire le valvole pannello del lato alta e bassa pressione sul pannello di controllo della stazione.
5. Premere il pulsante RECOVER sul pannello di controllo. Vedere la Figura 4.
6. Premere F1. La stazione inizia il processo di recupero. I suoni uditi indicano l'apertura e la chiusura dell'elettrovalvola e sono normali.
7. La stazione esegue un ciclo di autopulizia per ripulire i tubi interni da eventuali tracce di refrigerante.
8. Quando il recupero è stato eseguito fino a -45 bar (13 in/Hg), il recupero è completo.



AVVERTENZA: per prevenire infortuni mentre si lavora con il refrigerante, leggere e seguire le istruzioni e le avvertenze di questo manuale, e indossare un equipaggiamento protettivo, come occhiali e guanti di sicurezza.



Figura 3

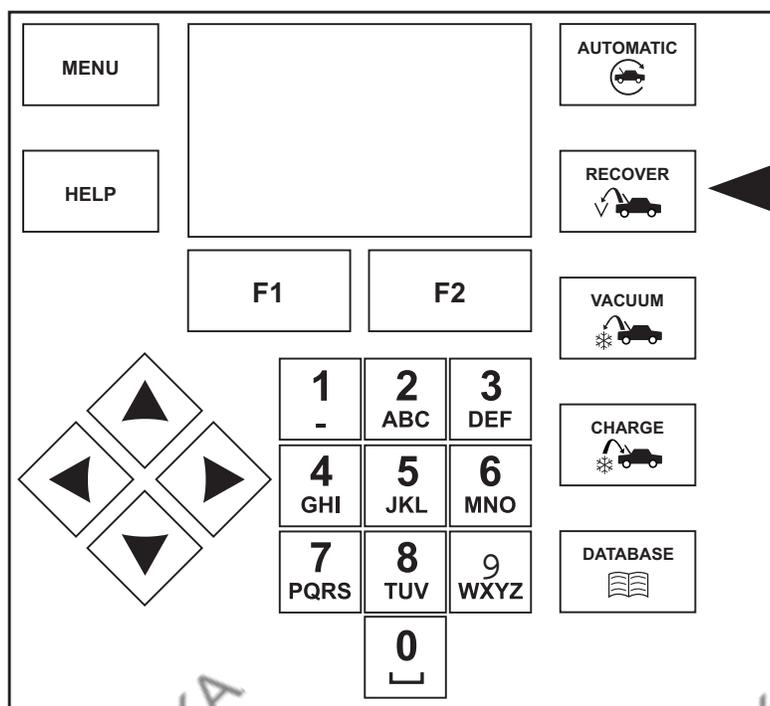
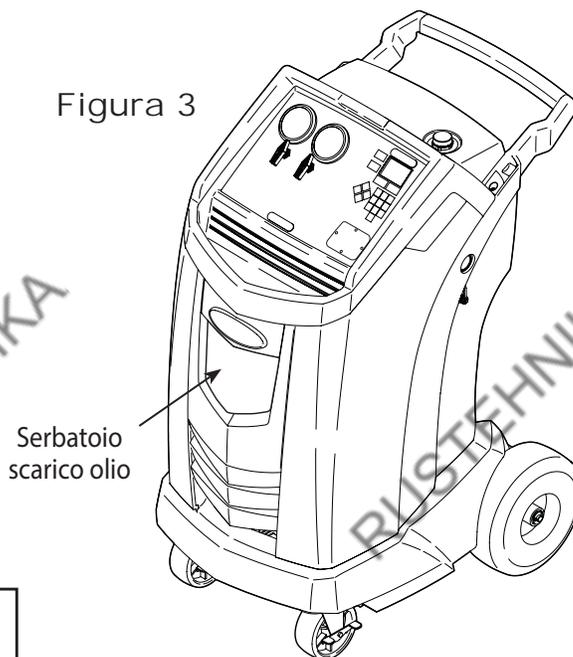


Figura 4

Istruzioni per l'uso — Recupero

Recupero di refrigerante da un veicolo (segue)

9. Dopo il recupero, la macchina esegue una procedura di scarico dell'olio, che può richiedere fino a 90 secondi per essere completata.
10. Dopo che l'olio è stato scaricato, sul display compare l'esito in cui viene descritto il refrigerante recuperato e l'olio scaricato. Se si possiede il modello di stazione AC1234-3P, si possono stampare le informazioni sul recupero e i dati diagnostici preliminari al recupero selezionando F1. Premere F2 per tornare alla schermata di Selezione azione.

Nota: il peso recuperato e visualizzato può variare a seconda delle condizioni ambientali e non va utilizzato come indicazione della precisione della bilancia.

11. La quantità di olio estratto dall'impianto A/C è uguale alla quantità di olio nuovo che può essere introdotto nell'impianto A/C al termine dell'evacuazione.

- Usare solo olio nuovo per sostituire l'olio rimosso durante il processo di recupero.
- Smaltire l'olio attenendosi alle norme di legge.

Il recupero è così completato.

ATTENZIONE: per prevenire la perdita di refrigerante nell'atmosfera, attendere per 30 minuti che la macchina si raffreddi — con l'alimentazione accesa su ON — tra un'operazione di recupero e la successiva, quando le temperature ambiente sono superiori a 40 °C (104 °F).

Per eliminare automaticamente dal serbatoio interno i gas incondensabili, si utilizza un sistema di scarico della pressione con valvola di spurgo. Più operazioni di recupero consecutive eseguite con temperature ambiente eccessivamente elevate possono rapidamente incrementare la pressione del serbatoio, causando l'attivazione automatica di questo sistema di scarico della pressione. Ciò può causare potenzialmente una perdita eccessiva di refrigerante.



Evacuazione dell'impianto A/C del veicolo

1. Collegare i tubi di servizio agli attacchi di servizio del veicolo.
2. Aprire le valvole degli attacchi dei tubi di servizio girando le ghiera in senso orario.
3. Aprire le valvole pannello del lato alta e bassa pressione sul pannello di controllo della stazione.
4. Premere VACUUM.
5. Premere F1 per accettare il tempo predefinito di evacuazione di 15 minuti, o immettere il tempo di evacuazione desiderato usando i pulsanti numerici. Premere F1.

Nota: il processo si arresta se la pressione sale al di sopra dei 35 bar (5 psi). Recuperare refrigerante prima di procedere.

6. La stazione genera un vuoto nell'impianto A/C per l'intervallo di tempo programmato.
7. La stazione si arresta al termine dell'intervallo di tempo specificato.

Se si è in possesso del Modello AC1234-3P, si possono stampare le informazioni sul vuoto selezionando F1.

Premere F2 per tornare alla schermata di Selezione azione.



AVVERTENZA: per prevenire infortuni mentre si lavora con il refrigerante, leggere e seguire le istruzioni e le avvertenze di questo manuale, e indossare un equipaggiamento protettivo, come occhiali e guanti di sicurezza.

Istruzioni per l'uso — Lavaggio dei tubi

Lavaggio dei tubi

Se il veicolo successivo su cui si deve intervenire contiene un tipo di olio diverso da quello del veicolo precedente, si consiglia di lavare i tubi di servizio per eliminare le tracce di olio residuo allo scopo di prevenire la contaminazione.

1. Selezionare FLUSH TUBI dal menu Impostazioni.
Sul display compare

COLLEGARE I TUBI AI RACCORDI DI LAVAGGIO
E APRIRE LE VALVOLE.

2. Collegare i tubi di servizio ai raccordi di lavaggio, come illustrato nella Figura 5.
3. Aprire le valvole degli attacchi dei tubi di servizio girando le ghiera in senso orario.
4. Aprire le valvole pannello del lato alta e bassa pressione sul pannello di controllo della stazione.
5. Premere F1 per avviare il processo di lavaggio dei tubi, che dura tre minuti, seguito da un recupero.
6. Una volta completato il lavaggio, sul display compare

FLUSHING TUBI OK

Premere F2 per uscire e tornare al menu Impostazioni.

7. Chiudere le valvole degli attacchi girando le ghiera in senso antiorario.
8. Chiudere le valvole pannello sul pannello di controllo della stazione.



AVVERTENZA: per prevenire infortuni mentre si lavora con il refrigerante, leggere e seguire le istruzioni e le avvertenze di questo manuale, e indossare un equipaggiamento protettivo, come occhiali e guanti di sicurezza.

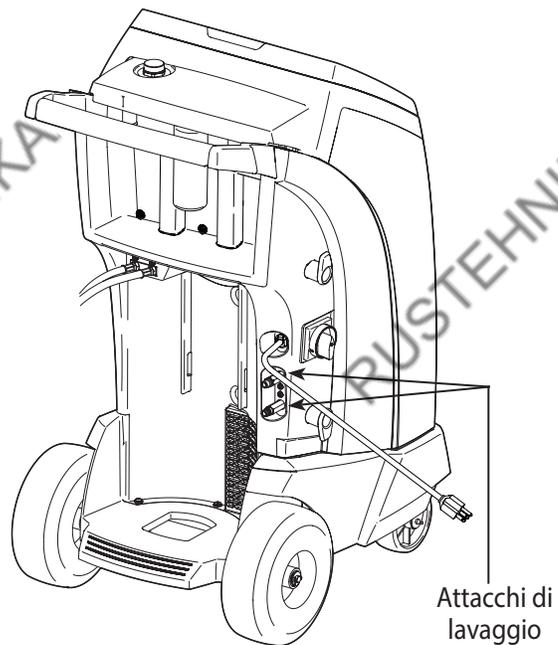


Figura 5



Ricarica dell'impianto A/C del veicolo

Durante il processo di RICARICA vengono eseguite verifiche di perdite automatiche. Per evitare falsi guasti, le temperature dell'impianto A/C del veicolo e della stazione di recupero devono avere uno scarto non superiore a ± 5 °C.

1. Collegare entrambi i tubi di servizio agli attacchi di servizio del veicolo. Aprire sia le valvole pannello del lato alta pressione sia le valvole pannello del lato bassa pressione.
2. Premere CHARGE. Sul display compare

REFRIGERANTE: 00,0000 KG
OLIO: 000 ML
SELEZIONA TASTO MENU PER CAMBIARE UNITÀ

3. Utilizzare i pulsanti freccia e il tastierino numerico per immettere la quantità desiderata da caricare.
4. Premere F1 per avviare il processo di carica. Dopo che la stazione completa la prova di perdita preliminare alla carica, viene visualizzato l'apposito messaggio di selezionare un percorso di carica. Nota: la funzione di carica, se accompagnata dall'iniezione dell'olio, può essere eseguita solamente dal lato alta pressione oppure da entrambi i lati.
 - Carica sul lato alta pressione: verificare che la valvola del pannello di alta pressione (rossa) ed entrambi gli attacchi dei tubi di servizio siano aperti. Chiudere la valvola del pannello (blu) del lato bassa pressione.
 - Carica sul lato bassa pressione: verificare che la valvola del pannello di bassa pressione (blu) ed entrambi gli attacchi dei tubi di servizio siano aperti. Chiudere la valvola del pannello (rossa) del lato alta pressione.
 - Carica su entrambi i lati: verificare che entrambe le valvole del pannello ed entrambi gli attacchi dei tubi di servizio siano aperti.
5. Premere F1 per continuare il processo di carica. A questo punto, se si sposta il veicolo o lo si urta si può ottenere una carica imprecisa. Quando il ciclo di carica è prossimo al valore desiderato per il peso, la stazione rallenta, alternando fasi di carica e di assestamento, ecc.
6. Quando viene visualizzato l'apposito messaggio, chiudere tutti gli attacchi di servizio aperti. Tuttavia se vi sono valvole pannello aperte, queste devono restare aperte. Scollegare i tubi di servizio dall'impianto A/C e collegarli ai raccordi di lavaggio della stazione. Premere F1 per avviare la pulizia dei tubi.
7. Quando compare la schermata CARICA COMPLETA, sul display viene visualizzato un resoconto dell'esito della carica. Se si è in possesso del Modello AC1234-3P, si può stampare il resoconto premendo F1. Premere F2 per tornare alla schermata di Selezione azione.
8. Chiudere le valvole pannello. Il sistema A/C del veicolo a questo punto è pronto all'uso.



AVVERTENZA: per prevenire infortuni mentre si lavora con il refrigerante, leggere e seguire le istruzioni e le avvertenze di questo manuale, e indossare un equipaggiamento protettivo, come occhiali e guanti di sicurezza.

Nota: il processo di carica varia da veicolo a veicolo. La funzione di carica per veicoli equipaggiati con un singolo raccordo di servizio deve essere eseguita manualmente. Per istruzioni specifiche in proposito, consultare il manuale di servizio del veicolo.

ATTENZIONE: Se la valvola dell'attacco di bassa pressione (blu) o di quello di alta pressione (rosso) viene lasciata aperta e viene collegata durante il processo di pulizia dei tubi, il sistema estrarrà refrigerante dal veicolo.

Istruzioni per l'uso — Funzione automatica



Funzione automatica

La funzione AUTOMATICA permette all'utente di programmare una sequenza automatica di recupero, vuoto, verifica di perdite, e / o carica. Una sequenza automatica totale può richiedere fino a un'ora per essere completata.

1. Collegare il tubo di alta pressione (rosso) e quello di bassa pressione (blu) all'impianto A/C.
2. Aprire le valvole degli attacchi dei tubi di servizio girando le ghiera in senso orario.
3. Aprire le valvole del lato alta e bassa pressione sul pannello di controllo della stazione.
4. Premere AUTOMATIC. Seguire le istruzioni sul display mentre la stazione esegue il ciclo automatico. Durante la Carica, seguire le istruzioni specifiche per la procedura di carica fornite nel presente manuale.
5. Quando compare l'apposito messaggio, chiudere gli attacchi dei tubi di servizio girando le ghiera in senso antiorario. Tuttavia se vi sono valvole pannello aperte, queste devono restare aperte.
6. Scollegare i tubi di servizio dall'impianto A/C e collegarli ai raccordi di lavaggio della stazione. Premere F1 per avviare la pulizia dei tubi. Ciò consente di preparare la stazione per l'intervento successivo.
7. Quando compare la schermata CARICA COMPLETA, sul display viene visualizzato un resoconto dell'esito della carica. Se si è in possesso del Modello AC1234-3P, si può stampare il resoconto premendo F1. Premere F2 per tornare alla schermata di Selezione azione.
8. A questo punto chiudere le valvole pannello aperte.



AVVERTENZA: per prevenire infortuni mentre si lavora con il refrigerante, leggere e seguire le istruzioni e le avvertenze di questo manuale, e indossare un equipaggiamento protettivo, come occhiali e guanti di sicurezza.

Informazioni sulla funzione automatica

- La funzione di CARICA per i veicoli dotati di un solo attacco di servizio deve essere eseguita manualmente, attenendosi alle procedure riportate nel manuale di manutenzione del produttore del veicolo.
- La quantità di olio estratto durante il processo di RECUPERO viene iniettata automaticamente prima del ciclo di CARICA.
- Se la funzione di RECUPERO non è stata eseguita, si può immettere la quantità di olio da iniettare mentre si programmano le informazioni sulla CARICA.
- Se vengono rilevati problemi durante la funzione automatica, la stazione emette tre segnali acustici. La funzione viene sospesa finché non si effettua una scelta su come procedere.
- Le prove di perdita preliminari alla carica sono automatiche.

Lavaggio

La funzione di LAVAGGIO va eseguita impiegando un kit di lavaggio approvato dal produttore del veicolo. Consultare anche le istruzioni incluse nell'adattatore mentre si svolge la seguente procedura.

1. Verificare che il filtro del dispositivo di lavaggio e il filtro in grado di trattenere particelle di certe dimensioni non siano intasati.
2. Montare il dispositivo di lavaggio sulla parte posteriore della stazione Robinair. Non eseguire alcun collegamento in questa fase.
3. Rimuovere il serbatoio di scarico dell'olio (vedi Figura 6) dalla stazione Robinair. Svuotarlo e smaltire l'olio attenendosi alle norme di legge. Reinstallare il serbatoio di scarico dell'olio sulla stazione.
4. Recuperare tutto il refrigerante dall'impianto A/C da lavare.
5. Annotare la quantità di olio raccolta durante il recupero. Questa quantità va sostituita, insieme all'eventuale olio raccolto durante il lavaggio.
Nota: la quantità di olio raccolta e documentata durante il Lavaggio dell'Impianto A/C non include la quantità di olio raccolta durante il recupero iniziale.
6. Verificare che vi siano almeno 6,0 kg (13,2 lb) di refrigerante nella stazione Robinair. Per completare un lavaggio efficace dell'impianto A/C, verificare che la stazione abbia almeno 6,0 kg di refrigerante nel serbatoio interno.
Nota: se la stazione non contiene almeno 6,0 kg (13,2 lb) di refrigerante nel serbatoio interno, vedere la sezione Rabbocco del serbatoio.
7. Scollegare la stazione dal veicolo.
8. Consultare il manuale di manutenzione della stazione e collegare gli adattatori di lavaggio e i tubi di bypass appropriati.
9. Collegare il tubo di servizio di bassa pressione (blu) direttamente al filtro del kit di lavaggio.
10. Rimuovere l'attacco di servizio di alta pressione (rosso) e collegare il tubo di servizio di alta pressione (rosso) all'adattatore del tubo di aspirazione dell'impianto A/C.
11. Usare il tubo in dotazione per collegare l'adattatore del tubo di scarico dell'impianto A/C all'ingresso del dispositivo di lavaggio.
12. Collegare i tubi seguendo le istruzioni fornite con il kit di lavaggio.
13. Selezionare Lavaggio dal menu Impostazioni. La stazione visualizza un apposito messaggio per verificare che il kit di lavaggio sia correttamente collegato e per aprire entrambe le valvole pannello. Premere F1 per continuare.
14. Accettare il tempo predefinito di vuoto o programmare un intervallo più lungo. Premere F1.



AVVERTENZA: per prevenire infortuni mentre si lavora con il refrigerante, leggere e seguire le istruzioni e le avvertenze di questo manuale, e indossare un equipaggiamento protettivo, come occhiali e guanti di sicurezza.

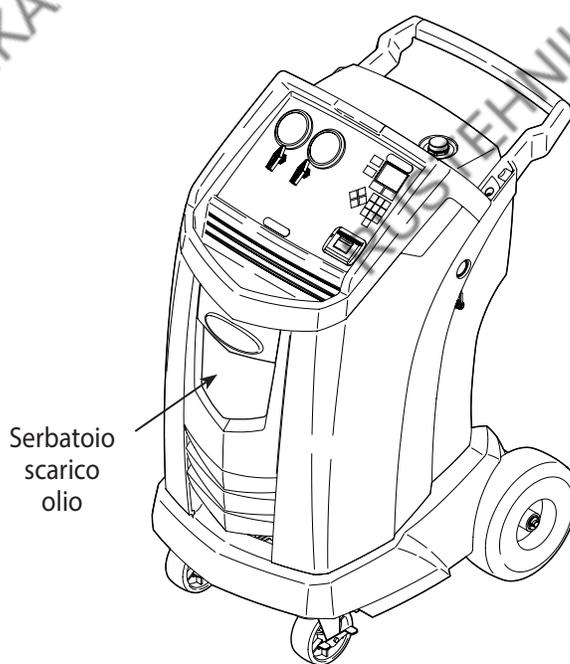


Figura 6

Istruzioni per l'uso — Lavaggio

Lavaggio (segue)

15. Dopo che il vuoto è stato effettuato, la stazione esegue una prova di pressione per 5 minuti. Una piccola quantità di refrigerante viene caricata e recuperata attraverso il circuito di lavaggio, mentre la stazione verifica costantemente se vi è perdita di pressione all'interno del sistema.
16. Dopo che la prova di pressione ha dato esito positivo, sul display compare

CHIUDERE VALVOLA PANNELLO LATO
BASSA PRESSIONE E APRIRE VALVOLA
LATO ALTA PRESSIONE

Chiudere la valvola pannello lato bassa pressione; aprire la valvola pannello lato alta pressione. Premere F1 per avviare il ciclo di lavaggio.

17. Dopo una piccola ricarica, sul display compare

CHIUDERE VALVOLA PANNELLO ALTA PRESSIONE
E APRIRE VALVOLA LATO BASSA PRESSIONE

Chiudere la valvola pannello lato alta pressione; aprire la valvola pannello lato bassa pressione. Premere F1 per continuare. Il refrigerante caricato viene recuperato tramite il tubo di servizio del lato bassa pressione.

18. Le operazioni 15 e 16 vengono ripetute altre tre volte per assicurare un lavaggio efficace del sistema. Dopo aver completato il quarto ciclo, la stazione esegue automaticamente uno scarico dell'olio. Completato lo scarico dell'olio, la stazione visualizza la quantità complessiva di olio scaricato durante il processo:

COMPLETATO
OLIO: XXXYY

19. Dopo aver completato con successo il lavaggio e dopo aver rimontato l'impianto A/C, sostituire l'eventuale olio perso durante il processo. Per ulteriori istruzioni consultare il manuale di manutenzione del veicolo.
20. Premere F2 per tornare al menu Impostazioni.

 **AVVERTENZA:** NON scollegare gli attacchi di servizio durante il processo di lavaggio. Il refrigerante potrebbe fuoriuscire dagli attacchi e l'esposizione può causare infortuni.

ATTENZIONE: il kit di lavaggio contiene un filtro sostituibile e un filtro in grado di trattenere particelle di certe dimensioni, che possono entrambi intasarsi. Alla fine del ciclo di lavaggio, controllare la pressione nell'impianto A/C sul manometro di alta pressione (rosso) e controllare l'adattatore per quanto riguarda la rimozione completa del refrigerante.

Se c'è ancora pressione o rimane del refrigerante, uscire dal ciclo di lavaggio e andare alla funzione di recupero per recuperare il refrigerante con i tubi di alta pressione (rosso) e di bassa pressione (blu). Quindi eseguire la manutenzione dei filtri e ripetere il processo di lavaggio.

Programma di manutenzione

Intervento di manutenzione	Intervallo raccomandato
Sostituzione del filtro	Il filtro deve essere sostituito dopo che sono stati filtrati 150 kg (331 lb) di refrigerante. Vedi Manutenzione del filtro nella sezione Manutenzione del presente manuale.
Cambio dell'olio della pompa del vuoto	Quando viene sostituito il filtro. Vedi Cambio dell'olio della pompa del vuoto nella sezione Manutenzione del presente manuale.
Controllo del corretto funzionamento di ruote e rotelle	Ogni mese.
Verifica della taratura della bilancia interna	Ogni mese. Vedi Verifica della taratura nella sezione Manutenzione del presente manuale.
Controllo di perdite	Ogni mese. Controllare che non vi siano perdite nei tubi e nei collegamenti. Scollegare l'alimentazione, rimuovere il frontale, e usare un rilevatore elettronico di perdite per controllare i raccordi.
Pulizia dei pannelli di aspirazione dell'aria (vedi Figura 7)	Ogni mese. Usare un panno pulito.
Pulizia del quadro e del pannello di comando	Ogni mese. Usare un panno pulito.
Ispezione dell'integrità di cavo di alimentazione e tubi flessibili	Ogni giorno.
Lubrificazione dei cuscinetti delle ruote e ispezione dei componenti del freno	Ogni mese.
Prova di pressione	Ogni 10 anni — eseguita da un centro di assistenza autorizzata Robinair.

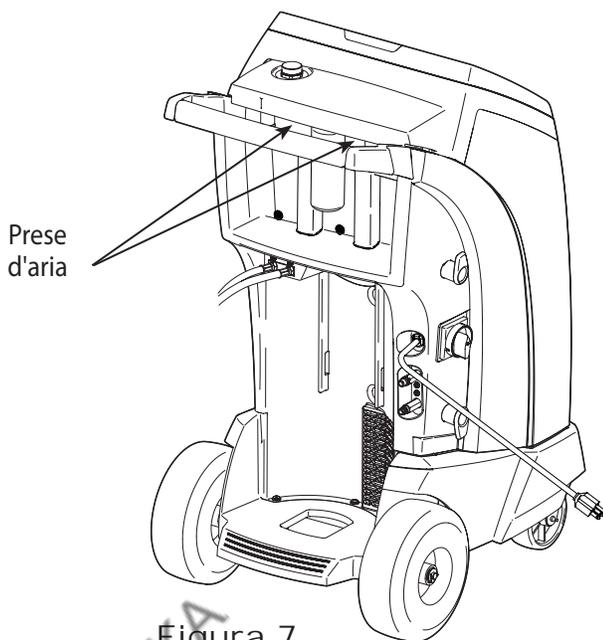


Figura 7



AVVERTENZA: per prevenire infortuni,



- solo personale qualificato deve eseguire ispezioni e riparazioni della stazione.



- Leggere e seguire le istruzioni e le avvertenze di questo manuale.



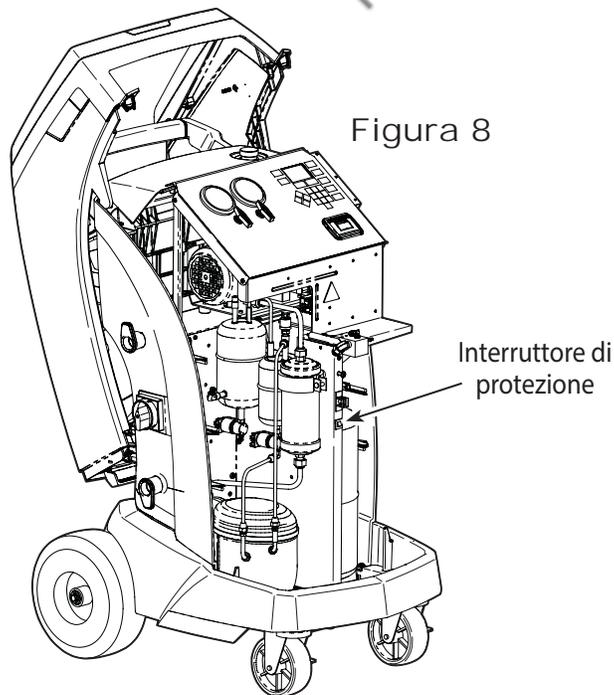
- Indossare un equipaggiamento protettivo che includa occhiali di sicurezza e guanti.

Manutenzione

Protezione elettrica

La stazione è dotata di un interruttore di protezione sul divisore centrale, come riportato nella Figura 8. Se il componente scatta, il suo pulsante fuoriesce. L'interruttore di protezione quando scatta disattiva l'alimentazione della macchina.

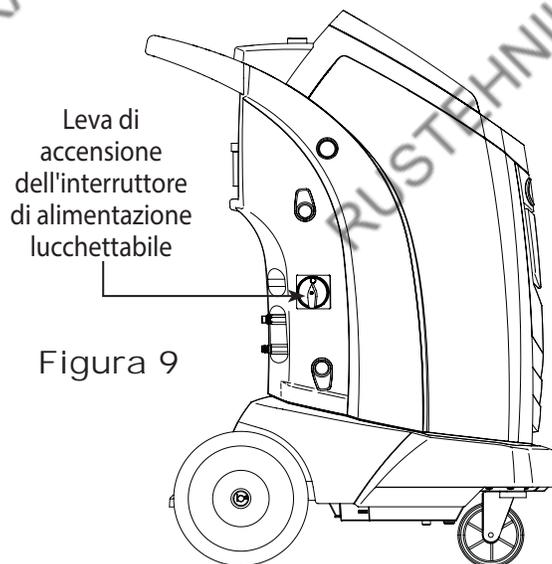
1. Rimuovere il frontale anteriore.
2. Premere il pulsante dell'interruttore di protezione per resettare.
3. Ricollocare il frontale in posizione.



Interruttore principale di alimentazione lucchettabile

Per accertarsi che nessuno, eccetto il personale autorizzato, possa mettere in funzione la macchina, utilizzare la funzione che consente di lucchettare l'interruttore principale di alimentazione. Vedi Figura 9.

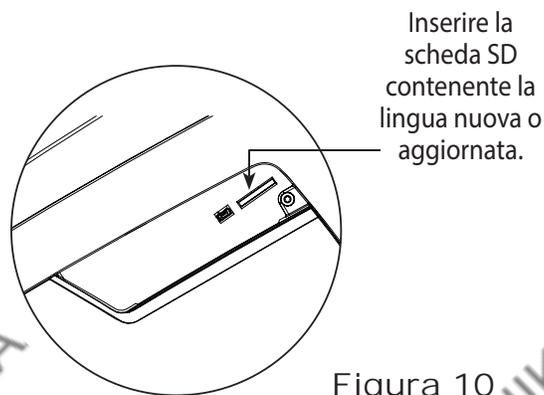
1. Girare in senso antiorario la leva di accensione dell'interruttore di alimentazione lucchettabile.
2. Inserire un lucchetto o altro dispositivo nei fori allineati per impedire che la leva possa essere girata in senso orario, consentendo di avviare la stazione.



Carica lingua

Seguire le seguenti istruzioni per aggiungere o aggiornare una lingua da una scheda SD.

1. Selezionare SELEZIONE DELLA LINGUA dal menu Impostazioni.
2. Utilizzare i pulsanti freccia per scorrere fino a CARICA NUOVA. Premere F1.
3. Inserire la scheda SD contenente i dati della lingua desiderata nel pannello laterale della stazione. Vedere la Figura 10.
4. Seguire gli appositi messaggi per selezionare la lingua da caricare o aggiornare. Per caricare una nuova lingua, è necessario selezionare la lingua che si desidera sostituire.



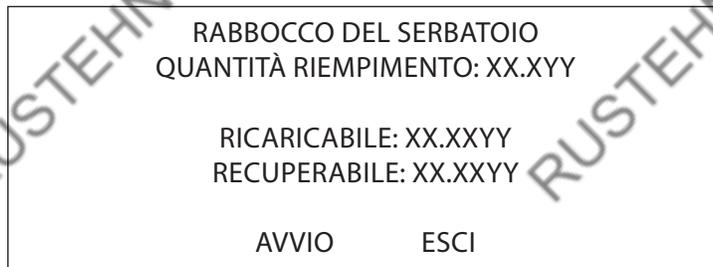
Rabbocco del serbatoio

Questa voce del menu serve per trasferire il refrigerante da un serbatoio esterno al serbatoio interno.

La capacità massima del serbatoio interno è di 8,5 kg. Utilizzare i pulsanti freccia per spostare il cursore; utilizzare il tastierino per inserire un valore.

Nota: aggiungere almeno 3,6 kg di refrigerante per assicurarsi che ne sia disponibile una quantità sufficiente per la carica.

1. Collegare il tubo flessibile dal lato bassa pressione (blu) al raccordo del liquido su un serbatoio esterno pieno.
2. Aprire la valvola pannello del lato bassa pressione (blu) sul pannello di controllo della macchina.
3. Posizionare il serbatoio esterno in modo tale da fare fluire il refrigerante nell'attacco. Aprire la valvola del serbatoio esterno.
4. Selezionare RABBOCCO DEL SERBATOIO dal menu Impostazioni. Sul display compare



5. Inserire la quantità da recuperare, e premere F1. Aggiungere almeno 3,6 kg di refrigerante per assicurarsi che ne sia disponibile una quantità sufficiente per la carica.
6. La stazione inizia il rabbocco del serbatoio interno e si arresta automaticamente quando viene raggiunto il livello impostato di rabbocco del serbatoio. Per interrompere il rabbocco prima che il livello impostato sia raggiunto, premere F2 e la procedura viene temporaneamente interrotta. Sul display comparirà un messaggio a segnalare la possibilità di uscire definitivamente dalla procedura.
7. Completato il riempimento, chiudere la valvola degli attacchi dei tubi di servizio e la valvola pannello sul pannello di comando. Rimuovere il tubo flessibile dal serbatoio esterno.

Manutenzione

Manutenzione del filtro

Il filtro trattiene acido e particelle di certe dimensioni nonché la condensa presente nel refrigerante. Per rispondere ai requisiti sulla rimozione adeguata della condensa e dei contaminanti, il filtro deve essere sostituito dopo che sono stati filtrati 150 kg (331 lb) di refrigerante.

La stazione avverte quando vengono raggiunti i 125 kg (276 lb) di capacità del filtro e si arresta, cessando di funzionare, quando viene raggiunta la capacità del filtro, ossia 150 kg (331 lb).

Controllo della capacità residua del filtro

1. Selezionare MANUTENZIONE DEL FILTRO dal menu Impostazioni o quando richiesto dalla stazione. Sul display compare

CAPACITÀ RESIDUA
XXX.XYY
SOSTITUIRE FILTRO ADESSO?

La stazione visualizza la capacità residua del filtro prima dell'arresto della stazione.

2. Premere F1 per sostituire il filtro; premere F2 per riprendere l'utilizzo della stazione.

⚠ AVVERTENZA: I componenti della stazione sono sottoposti ad alta pressione. Per prevenire infortuni, sostituire il filtro solo quando indicato dalla stazione.

Sostituzione del filtro

1. Se si è premuto F1 per sostituire il filtro, la stazione richiede l'immissione del codice del filtro nuovo.

INSERISCI NUMERO DI SERIE NUOVO FILTRO

Immettere con il tastierino il numero di serie apposto sul filtro nuovo e premere F1 per continuare.

Nota: se viene visualizzato NUMERO DI SERIE ERRATO, significa che è stato immesso un numero di serie errato o che il filtro è già stato usato nella stazione.



AVVERTENZA: per prevenire infortuni mentre si lavora con il refrigerante, leggere e seguire le istruzioni e le avvertenze di questo manuale, e indossare un equipaggiamento protettivo, come occhiali e guanti di sicurezza.

Attenzione: per prevenire danni all'attrezzatura, utilizzare in questa macchina esclusivamente filtri Robinair N. 34728 originali. Tutte le prove prestazionali e le relative dichiarazioni si basano sull'uso di questo specifico filtro.

Manutenzione filtro (segue)

2. La stazione pulisce il filtro esistente e poi visualizza

SCOLLEGARE L'ALIMENTAZIONE
E SOSTITUIRE IL FILTRO

Spegner la stazione. Rimuovere il serbatoio dell'olio. Togliere le quattro viti di fissaggio del frontale. Vedi Figura 11.

3. Appendere il frontale sul retro della stazione, come mostrato nella Figura 12.
4. Rimuovere il filtro ruotando in senso antiorario i dadi sul tubo di rame collegato. Staccare i dadi dal filtro e mettere da parte il tubo.
5. Allentare la vite di fissaggio sulla ghiera di bloccaggio del filtro. Estrarre il filtro dalla ghiera di bloccaggio.
6. Verificare che gli O-ring sul tubo di rame siano lubrificati e non siano danneggiati. (Gli O-ring sono stati lubrificati utilizzando olio DVA / DVC ISO6743-3.)
7. Installare il filtro nuovo all'interno della ghiera di bloccaggio e serrare la vite di fissaggio della ghiera. Il filtro DEVE essere orientato in modo che la direzione del flusso sia verso il basso, dall'alto in basso.
8. Collegare il tubo in rame superiore e inferiore al filtro. Serrare i dadi di fissaggio a 20 Nm.
9. Riciclare il filtro precedentemente rimosso dalla stazione in conformità alle norme vigenti nel Paese di utilizzo.

Togliere le quattro viti di fissaggio del frontale.

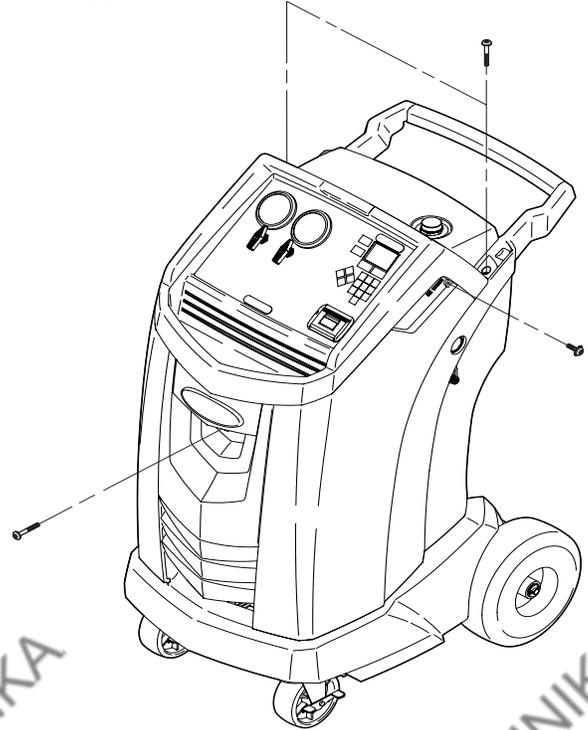


Figura 11

Appendere qui
il frontale

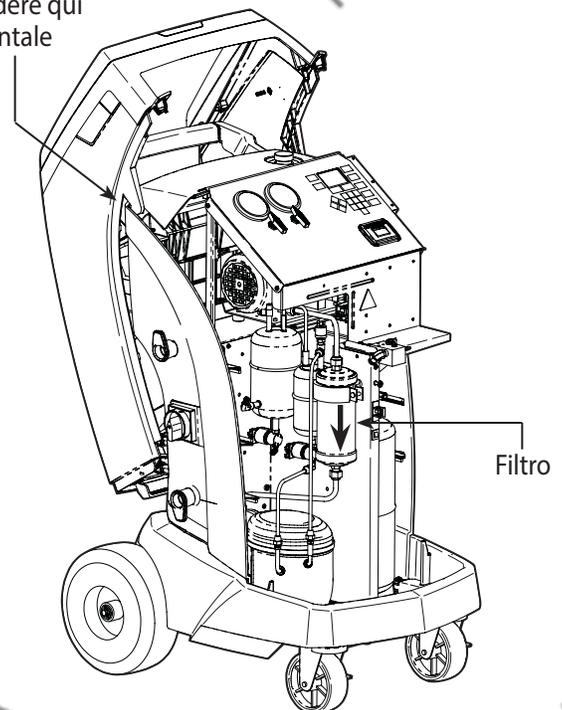


Figura 12

Manutenzione

Verifica della taratura

Questa funzione serve ad accertarsi che la bilancia interna della stazione sia sempre tarata. Durante questa verifica, usare solo il peso di taratura fornito con la stazione.

1. Vedere la Figura 13, e verificare che il magnete sulla parte inferiore della stazione sia pulito.
2. Selezionare VERIFICA TARATURA dal menu Impostazioni. Sul display compare

APPOGGIARE IL PESO DI TARATURA SUL
MAGNETE SITUATO SUL FONDO DELLA MACCHINA

3. Fissare il peso di taratura al magnete sul fondo della macchina. Selezionare F1 per continuare.
4. Sul display compare

TOGLIERE IL PESO DI TARATURA DAL MAGNETE
SITUATO SUL FONDO DELLA MACCHINA

Rimuovere il peso di taratura dal magnete.
Selezionare F1 per continuare.

- Se sul display compare

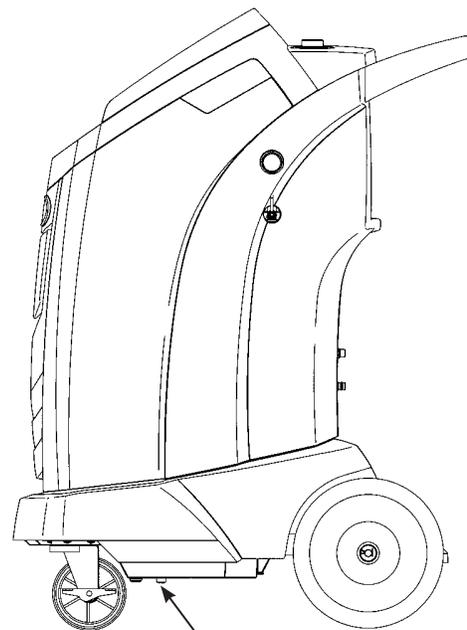
TARATURA CONFERMATA

la bilancia è tarata. Selezionare F2 per tornare al menu Impostazioni.

- Se sul display compare

TARATURA NON RIUSCITA

la bilancia non è tarata. Premere di nuovo F1 per riprovare. Qualora la taratura continui a dare esito negativo, rivolgersi a un centro di assistenza Robinair autorizzato.



Magnete

Figura 13

Cambio dell'olio della pompa del vuoto

1. Selezionare **MANUTENZIONE DELLA POMPA** dal menu Impostazioni o quando richiesto dalla stazione. Il display mostra l'intervallo di funzionamento della pompa del vuoto dopo l'ultimo cambio dell'olio.

DURATA RESIDUA OLIO
XXX:XX (HHH:MM)
CAMBIARE OLIO ADESSO?

2. Premere **F1** per cambiare l'olio della pompa del vuoto. Se sul display compare

RISCALDAMENTO OLIO
ATTENDERE

lasciare funzionare la pompa per due minuti per riscaldare l'olio. Se l'olio è già tiepido, sul display compare

SCARICA OLIO USATO DA POMPA E SOSTITUISCI
CON 150 ML DI OLIO NUOVO

3. Aprire **LENTAMENTE** il tappo di riempimento del serbatoio dell'olio per verificare che la pressione nella stazione sia nulla, quindi togliere con cautela il tappo. Vedi Figura 14.
4. Togliere il tappo del raccordo di scarico dell'olio e fare defluire l'olio in un contenitore adatto per lo smaltimento. Riposizionare il tappo e chiuderlo bene. Premere **F1** per continuare.
5. Sul display compare

RIEMPIRE POMPA CON OLIO NUOVO FINO AL
CENTRO DELL'INDICATORE DI LIVELLO

Aggiungere lentamente olio adatto alla pompa del vuoto dall'attacco di riempimento finché il livello dell'olio non si attesta al centro dell'indicatore di livello. Inserire il tappo sull'attacco di riempimento e chiuderlo bene. Premere **F1** per tornare alla schermata di Manutenzione della pompa.

! **ATTENZIONE:** Per prevenire infortuni, **NON** azionare **MAI** la stazione senza il tappo inserito sull'attacco di riempimento del serbatoio dell'olio, poiché la pompa del vuoto è pressurizzata durante il normale funzionamento.

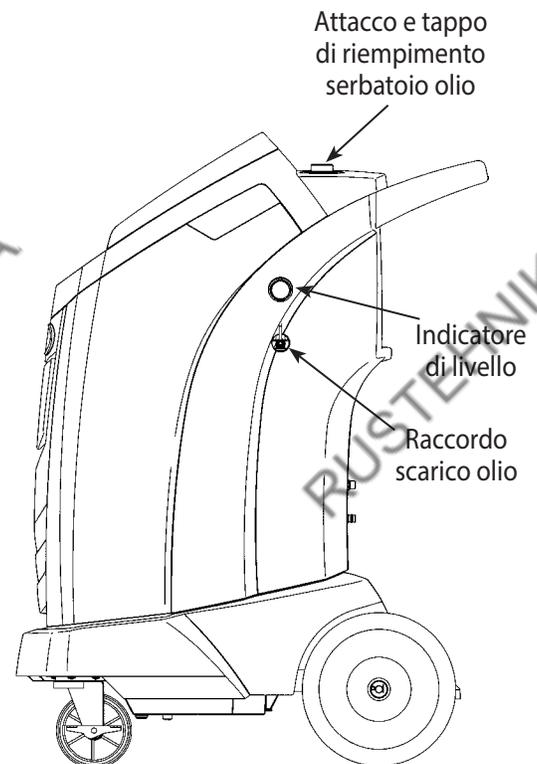


Figura 14

Attenzione: è responsabilità dell'utente controllare il livello e la purezza dell'olio nella pompa del vuoto. Se l'olio contaminato non viene rimosso dalla pompa del vuoto e sostituito, la pompa si danneggia irreversibilmente.

Manutenzione

Controllo perdite

Per assicurare un funzionamento sicuro, ecologico ed economico, la stazione esegue autoverifiche regolate da software a intervalli regolari (ogni 10 giorni). Durante tali verifiche, i componenti contenenti refrigerante vengono pressurizzati e monitorati per rilevare un'eventuale diminuzione della pressione, che potrebbe indicare una perdita.

1. All'avvio, se è necessario eseguire una verifica delle perdite, sul display compare

COLLEGARE I TUBI AI RACCORDI DI LAVAGGIO
E APRIRE LE VALVOLE

Collegare gli attacchi dei tubi di servizio ai raccordi di lavaggio sulla parte posteriore della stazione. Aprire gli attacchi girando le ghiera in senso orario.

2. Aprire le valvole pannello del lato alta e bassa pressione sul pannello di controllo della stazione. Premere F1 per avviare la verifica. La stazione esegue un auto-recupero e visualizza

RECUPERO IN CORSO

3. La stazione esegue per 30 secondi una prova del vuoto e visualizza

CONTROLLO DEL VUOTO IN CORSO

Se la prova del vuoto fallisce, la stazione genera un messaggio in cui si chiede di verificare se vi siano perdite.

4. Quando la stazione supera la prova del vuoto, ai componenti interni viene applicata una pressione controllata. Sul display compare

CONTROLLO PRESSIONE IN CORSO

La stazione mantiene questa pressurizzazione per cinque minuti controllando se la pressione diminuisce. Il display mostra un conteggio alla rovescia dei secondi e minuti.

- Se viene rilevata una diminuzione accettabile della pressione, la stazione recupera il refrigerante e ritorna al menu Impostazioni, pronta per il normale funzionamento.
- Se viene rilevata una riduzione inaccettabile della pressione, compare un messaggio in cui si chiede di verificare se vi siano perdite. Portare la macchina in un centro di assistenza Robinair autorizzato.

Nota:

- la verifica delle perdite può anche essere selezionata in qualsiasi momento dal menu Impostazioni.
- Se si decide di non eseguire la verifica delle perdite quando compare l'apposito messaggio, il messaggio viene visualizzato ogni volta che si accende la stazione, finché la verifica non viene completata.



AVVERTENZA: per prevenire infortuni nel caso sia necessario trasportare la stazione a un centro di assistenza Robinair, seguire le norme di legge concernenti il trasporto di stazioni contenenti R1234yf.

Regolazione iniezione olio

La funzione di iniezione olio in questa stazione è automatica e basata sulla temporizzazione. Molte variabili possono influire sull'accuratezza.

Se si stanno utilizzando oli a viscosità molto alta o molto bassa, o se il funzionamento avviene a temperature ambiente molto alte o molto basse, può essere necessario eseguire una regolazione del fattore di correzione di iniezione dell'olio per consentire alla macchina di produrre iniezioni dell'olio accurate.

La correzione predefinita è impostata a 0,25 ed è basata su una viscosità dell'olio PAG100 e su una temperatura ambiente di 25 °C.

1. Per regolare il fattore di correzione dell'iniezione dell'olio, selezionare REGOLAZIONE INIEZIONE OLIO dal menu Impostazioni. Sul display compare

X.XX AUMENTARE PER INIETTARE PIÙ OLIO O DIMINUIRE PER INIETTARE MENO OLIO

2. Usando i pulsanti freccia e il tastierino numerico, immettere un fattore di correzione desiderato. I valori accettabili consistono in qualsiasi cifra compresa tra 0,01 e 1,00.
 - Un fattore di correzione di 1,00 prolunga la durata dell'iniezione di olio, aumentando la quantità di olio iniettata.
 - Un fattore di correzione di 0,01 abbrevia la durata dell'iniezione di olio, riducendo la quantità di olio iniettata.
3. Premere F1 per salvare il valore; premere F2 per tornare al Menu Impostazioni senza salvare il valore.

ATTENZIONE: Per prevenire incompatibilità chimiche con i componenti interni della stazione, usare solo oli approvati dal produttore del veicolo. Eventuali problemi derivanti dall'uso di oli non approvati annullano la garanzia.

Manutenzione

Modifica intestazione stampa

Per modificare il testo della dicitura che compare in questa schermata:

1. Nel menu Impostazioni, selezionare Modifica intestazione stampa.
2. Il cursore è nel primo campo. Aggiornare il testo utilizzando i pulsanti freccia e l'interfaccia multitocco sul tastierino numerico:
 - il pulsante freccia SINISTRA funge da tasto backspace.
 - Il pulsante freccia DESTRA consente di spostare il cursore a destra.
 - Il tasto ZERO (0) funge da barra spaziatrice.
 - Per navigare all'interno delle righe, utilizzare i tasti freccia SU e GIÙ.
3. Premere F1 per salvare le modifiche e tornare al menu Impostazioni; premere F2 per tornare all'intestazione precedente e uscire dal menu Impostazioni.

Sostituzione della carta della stampante (solo AC1234-3P)

Per installare un nuovo rotolo di carta nella stampante:

1. Rimuovere il coperchio della stampante tirando in fuori la linguetta, come illustrato nella Figura 15.
2. Rimuovere il supporto della carta.
3. Installare il nuovo rotolo di carta con l'estremità del rotolo in alto.
4. Richiudere il coperchio in modo che il bordo superiore della carta fuoriesca.

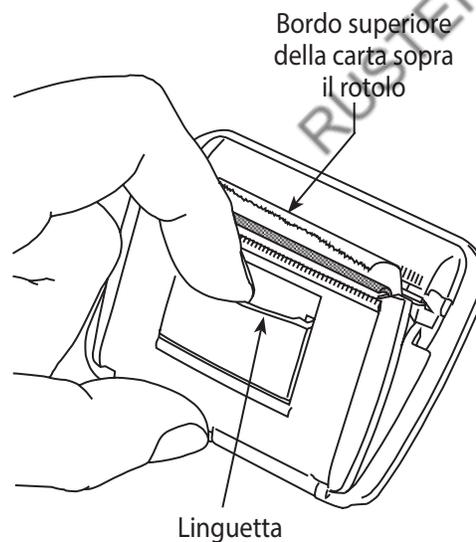


Figura 15

Installazione di una stampante

È possibile acquistare e installare una stampante su qualsiasi modello che ne sia sprovvisto. Tutti i modelli della stazione contengono già un cablaggio di collegamento della stampante pronto all'uso. Per installare una stampante:

1. Spegnerla stazione e scollegarla dall'alimentazione.
2. Togliere le quattro viti di fissaggio del frontale. Vedi Figura 11.
3. Appendere il frontale sul retro della stazione, come mostrato nella Figura 12.
4. Smontare le due viti agli angoli superiori del pannello di controllo, consentendo al pannello di controllo di ruotare in avanti.
5. Il cablaggio di collegamento della stampante è fissato sul retro del coperchio posto nell'apposita area di posizionamento della stampante. Rimuovere la fascetta per aprire il cablaggio. Il cablaggio viene usato successivamente.
6. Rimuovere il coperchio dall'apposita area di posizionamento della stampante premendo sulle linguette del coperchio dal retro del pannello di controllo e spingendo il coperchio fuori dal pannello.
7. Staccare i due bracci di bloccaggio dalla stampante inserendo l'estremità di un cacciavite a testa piatta sotto ciascuna linguetta accanto al retro del rispettivo braccio di bloccaggio. Sollevare la linguetta verso l'esterno, facendo scorrere al contempo l'intero braccio in modo da farlo fuoriuscire dalla stampante.
8. Collocare la stampante all'interno dell'apposita area sul pannello di comando. Spingere la parte anteriore della stampante a filo con il pannello, orientata in modo che la carta fuoriesca in corrispondenza della parte alta della stampante, come mostrato nella Figura 15.
9. Ricollocare i bracci di bloccaggio della stampante dall'interno del pannello di comando. Spingerli in avanti finché non entrano bene in contatto con la superficie interna del pannello di comando.
10. Prendere l'estremità libera del cablaggio di collegamento della stampante, che era stato precedentemente staccato dal coperchio nell'operazione 5.
11. Fissare i due connettori liberi ai connettori corrispondenti sul retro della stampante.
12. Ruotare il pannello di comando di nuovo in posizione e fissarlo con le due viti rimosse nell'operazione 4.
13. Rimontare il frontale in posizione sulla stazione e installare le quattro viti precedentemente rimosse nell'operazione 2.

La stampante a questo punto è pronta all'uso.

Elenco dei ricambi e glossario

Ricambi

Componente ricambio	Codice
Peso di taratura	SP01100095
Filtro	34728
Serbatoio scarico olio	SP01100162
Serbatoio iniezione olio	SP01100025
Stampante	SP00100099
Carta stampante (1 rotolo)	SP00100087
Attacco di servizio bassa pressione	18122
Attacco di servizio alta pressione	18123
Tubo di servizio (bassa pressione, blu)	70123
Tubo di servizio (alta pressione, rosso)	70124
Adattatore serbatoio (1234 <22 HW)	SP01100352
Adattatore serbatoio (1234 DNT)	SP01100353
Adattatore serbatoio (1234 >22 HW)	SP01100354
Olio pompa vuoto (600 ml)	5604052
Copertura parapolvere in vinile (optional)	SP01100250



ATTENZIONE: per prevenire infortuni, per le riparazioni usare solo i componenti che figurano nell'elenco dei ricambi, poiché questi sono stati collaudati e selezionati con cura da Robinair.

Glossario

Impianto A/C: l'impianto di condizionamento dell'aria del veicolo di cui si esegue la manutenzione.

Evacuazione: rimozione della condensa e di altre sostanze non condensabili da un impianto A/C mediante una pompa del vuoto.

Serbatoio interno: il recipiente rifornibile della stazione, destinato a contenere il refrigerante; ha capacità di 8,5 kg (18,7 lb).

Verifica di perdite (vuoto): evacuazione dell'impianto A/C contenente refrigerante e monitoraggio della pressione per rilevarne un eventuale aumento, possibile indicazione di una perdita.

Stazione: N. modello AC1234-3 o AC1234-3P.

Controllo perdite: pressurizzazione dei componenti che contengono refrigerante e monitoraggio della pressione per rilevarne un'eventuale diminuzione, possibile indicazione di una perdita.

Recupero / riciclo: estrazione del refrigerante da un impianto A/C, filtraggio e trasferimento nel serbatoio interno.

Refrigerante: R1234yf.

Messaggi diagnostici

Messaggio sul display	Causa	Soluzione
TARATURA NON RIUSCITA	la bilancia interna non è tarata.	Premere F1 per rifare LA VERIFICA TARATURA. Se la procedura di taratura continua a non dare esito positivo, uscire dalla verifica corrente e contattare per riparazioni un centro di assistenza Robinair autorizzato.
CARICA IN STALLO! CONTROLLARE RACCORDI E VALVOLE	Il refrigerante è in stallo nel serbatoio interno o nella macchina.	Verificare che i collegamenti siano ben fissi e che le valvole siano nella posizione corretta.
DATABASE NON DISPONIBILE	La macchina è stata spedita senza database installato.	Per ottenere ulteriori informazioni contattare un centro di assistenza Robinair autorizzato.
PESO SERBATOIO ECESSIVO	Circuito di sicurezza scattato per serbatoio troppopieno. La macchina è bloccata perché c'è troppo refrigerante nel serbatoio interno.	Per ottenere ulteriori informazioni contattare un centro di assistenza Robinair autorizzato.
FILTRO ESAUSTO PESO FILTRO XXX.XYY SOSTITUIRE FILTRO ADESSO?	Dall'ultima volta che si è sostituito il filtro sono stati recuperati 150 kg (331 lb) o più di refrigerante.	Consultare la sezione Manutenzione filtro del presente manuale per istruzioni su come sostituire l'olio della pompa del vuoto.
ALTA PRESSIONE IN ISV (SERB. INT.)	La macchina è bloccata perché la pressione nel serbatoio interno è troppo alta, forse a causa della temperatura eccessivamente alta del serbatoio.	Lasciare raffreddare la macchina prima di tentare ulteriori interventi sull'impianto A/C del veicolo. Se il problema persiste, contattare per ulteriori informazioni un centro di assistenza Robinair autorizzato.
VERIFICA PUREZZA NON SUPERATA	Il refrigerante contenuto nell'impianto A/C del veicolo non è R1234yf o è contaminato.	Non recuperare refrigerante contaminato nella stazione AC1234-3(P); utilizzare una stazione esterna per il recupero di refrigerante appositamente dedicata al refrigerante contaminato.
PRESSIONE DI INGRESSO TROPPO ALTA PER VUOTO	Prima che la stazione inizi l'evacuazione dell'impianto A/C, controllare che la pressione dell'impianto non possa danneggiare la pompa del vuoto. In questo caso, la pressione dell'impianto è superiore a 0,35 bar relativi.	Premere F1. Consultare la sezione RECUPERO del presente manuale per eseguire il recupero di refrigerante prima di procedere.

Messaggi diagnostici

Messaggio sul display	Causa	Soluzione
COMUNICAZIONE SCHEDA RELÈ NON RIUSCITA	La comunicazione con la scheda relè non è riuscita.	Resettare la scheda relè premendo F2. Se il problema persiste, contattare per ulteriori informazioni un centro di assistenza Robinair autorizzato.
REFRIGERANTE INSUFFICIENTE. 6,00 KG RICHIESTI PER FLUSSAGGIO SISTEMA	Non è presente sufficiente refrigerante nel serbatoio interno per eseguire un lavaggio dell'impianto.	Vedi Rabbocco del serbatoio nella sezione Manutenzione del presente manuale.
REFRIGERANTE INSUFFICIENTE DISPONIBILE PER LA RICARICA SELEZIONATO: XX.XXYY DISPONIBILE: XX.XXYY	Dopo avere immesso un peso desiderato, se la quantità di refrigerante disponibile nel serbatoio interno dopo il processo di carica è inferiore a 91 kg (2 lb), la funzione di carica non si avvia.	Vedi Rabbocco del serbatoio nella sezione Manutenzione del presente manuale.
CODICE NON VALIDO	Il codice di attivazione inserito nella macchina non è corretto.	Verificare che il codice di attivazione sia stato inserito esattamente come è stato ricevuto. Se necessario, usare le maiuscole.
NUMERO DI SERIE NON VALIDO!	Il numero di serie del filtro inserito nella macchina non è corretto.	Verificare che il numero di serie inserito corrisponda al numero di serie nel filtro. Verificare che il filtro non sia stato impiegato precedentemente su un'altra macchina.
PROVA DI TENUTA NON RIUSCITA	È presente una perdita nell'impianto A/C.	Uscire dalla prova corrente ed eseguire riparazioni sull'impianto A/C del veicolo.
ASSENZA DI PRESSIONE AGLI INGRESSI CONTROLLARE I COLLEGAMENTI RECUPERARE COMUNQUE?	Pressione impianto inferiore a 0,35 bar relativi.	Verificare che i tubi lato alta pressione (rosso) e lato bassa pressione (blu) siano collegati e che le valvole degli attacchi siano aperte. Premere F1 per recuperare; premere F2 per bypassare IL RECUPERO e procedere con il VUOTO.
SCARICAMENTO OLIO BLOCCATO	La pressione accumulatore non è salita sopra 1,10 bar entro il minuto precedente allo scarico olio che doveva essere eseguito.	È necessaria una pressione adeguata all'interno dell'accumulatore per forzare il liquido, precedentemente separato dal refrigerante, al di fuori dell'impianto. Premere F1 per riprovare; premere F2 per uscire.

Messaggi diagnostici

Messaggio sul display	Causa	Soluzione
DURATA RESIDUA OLIO XX:XXX CAMBIARE OLIO ADESSO?	Sul display compare la capacità residua del filtro prima che la macchina si blocchi.	Consultare la sezione Manutenzione filtro del presente manuale per istruzioni su come sostituire l'olio della pompa del vuoto.
FUORI SCALA PRESSIONE ACCUMULATORE	Il trasduttore di pressione dell'accumulatore non legge correttamente la pressione.	Uscire dalla verifica corrente e contattare per ulteriori informazioni un centro di assistenza Robinair autorizzato.
FUORI SCALA FLUSSO ARIA	Il sensore del flusso d'aria non legge correttamente il flusso d'aria.	Uscire dalla verifica corrente e contattare per ulteriori informazioni un centro di assistenza Robinair autorizzato.
FUORI SCALA LATO ALTA PRESSIONE	Il trasduttore di pressione lato alta pressione non legge correttamente la pressione.	Uscire dalla verifica corrente e contattare per ulteriori informazioni un centro di assistenza Robinair autorizzato.
FUORI SCALA ISV PRESSIONE	Il trasduttore di pressione serbatoio interno non legge correttamente la pressione.	Uscire dalla verifica corrente e contattare per ulteriori informazioni un centro di assistenza Robinair autorizzato.
FUORI SCALA ISV TEMPERATURA	Il sensore di temperatura serbatoio interno non legge correttamente la temperatura.	Uscire dalla verifica corrente e contattare per ulteriori informazioni un centro di assistenza Robinair autorizzato.
FUORI SCALA PRESSIONE LATO BASSA PRESSIONE	Il trasduttore di pressione lato bassa pressione non legge correttamente la pressione.	Uscire dalla verifica corrente e contattare per ulteriori informazioni un centro di assistenza Robinair autorizzato.
PROVA DI PRESSIONE NON RIUSCITA CONTROLLARE SE SONO PRESENTI PERDITE	È presente una perdita nell'impianto A/C del veicolo.	Uscire dalla prova corrente ed eseguire riparazioni sull'impianto A/C del veicolo.
IL NUMERO DI SERIE È GIÀ STATO USATO	Il numero di serie del filtro inserito nella macchina non è corretto.	Il filtro è già stato usato su questa macchina. Ottenere un nuovo filtro originale Robinair N. 34728.
SERBATOIO ESTERNO VUOTO	Impossibile trasferire refrigerante al serbatoio interno perché il serbatoio esterno è vuoto.	Uscire dal test corrente e sostituire il serbatoio esterno.

Messaggi diagnostici

Messaggio sul display	Causa	Soluzione
SERBATOIO PIENO. RIMUOVERE IL REFRIGERANTE PRIMA DI CONTINUARE	Serbatoio interno troppo pieno per poter recuperare ulteriore refrigerante.	Eeguire un processo di ricarica per rimuovere refrigerante dal serbatoio interno prima di eseguire qualsiasi ulteriore tentativo di recupero.
PERIODO DI PROVA SCADUTO ATTIVAZIONE DELL'UNITÀ RICHIESTA PER CONTINUARE L'UTILIZZO	La mancata registrazione e attivazione della macchina entro 30 giorni dall'avviamento iniziale causano il bloccaggio della macchina e l'impossibilità di utilizzarla.	Premere F1 e consultare la sezione Attivazione unità nel presente manuale per registrare la macchina.
PROVA DEL VUOTO NON SUPERATA. CONTROLLARE SE SONO PRESENTI PERDITE	È presente una perdita nell'impianto A/C.	Uscire dalla prova corrente ed eseguire riparazioni sull'impianto A/C del veicolo.

Immazzinaggio e trasporto della stazione

Immazzinaggio

Mai lasciare la macchina sotto tensione se non è in programma il suo uso immediato.

1. Scollegare la stazione dalla presa di corrente.
2. Avvolgere due volte i tubi di servizio intorno al manico e collegarli ai raccordi di lavaggio. Vedi Figura 16.
3. Riporre la stazione in un luogo asciutto e stabile, lontano da fiamme libere e superfici ad alta temperatura. La temperatura ambiente del magazzino deve essere compresa tra -25 e 60 °C.
4. Bloccare le ruote anteriori.

Trasporto della stazione



AVVERTENZA: per prevenire infortuni nel caso sia necessario trasportare la stazione a un centro di assistenza Robinair, seguire le norme di legge concernenti il trasporto di stazioni contenenti R1234yf.

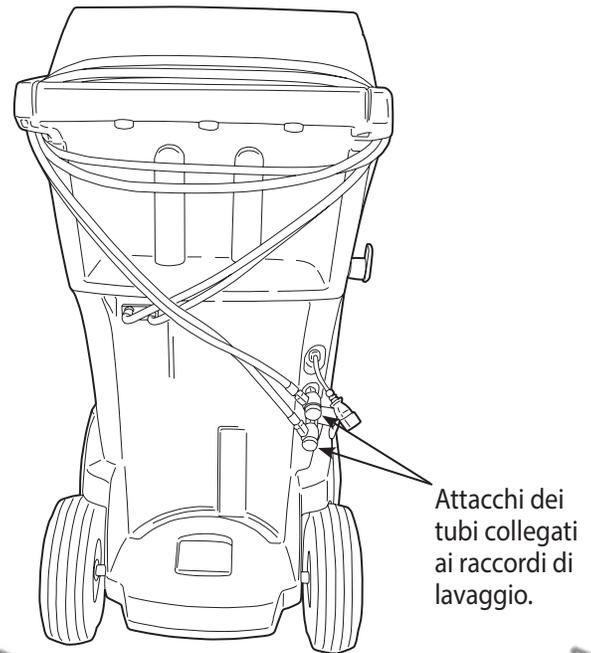


Figura 16

Smaltimento della stazione

Smaltimento della stazione



Al termine della sua durata utile, smaltire la stazione Robinair AC1234-3(P) in conformità alle norme di legge

- La pubblica amministrazione e i produttori di apparecchiature elettriche/elettroniche (AEE) sono impegnati ad agevolare i processi di riutilizzo e recupero di tali apparecchiature attraverso l'organizzazione delle attività di raccolta e l'utilizzo di opportuni accorgimenti progettuali.
- In conformità alla Direttiva Europea RAEE 2002/96/CE, sono disponibili specifici centri di raccolta per i rifiuti di apparecchiature elettriche/elettroniche.
- Non smaltire questa stazione insieme ai rifiuti municipali solidi indifferenziati. Effettuare una raccolta separata. La legge punisce con opportune sanzioni chi smaltisce abusivamente i rifiuti di apparecchiature elettriche/elettroniche.
- Il riutilizzo o il corretto riciclaggio di apparecchiature elettriche/elettroniche è necessario per preservare l'ambiente e la salute umana stessa.

Smaltimento di materiali riciclati

È responsabilità dell'utente determinare se un materiale è un rifiuto pericoloso al momento dello smaltimento. L'utente deve garantire la conformità alle norme di legge.

1. Consegnare il refrigerante recuperato dagli impianti A/C a fornitori di gas per il riciclaggio o lo smaltimento.
2. Consegnare i lubrificanti estratti dagli impianti A/C a centri di raccolta dell'olio usato.
3. Esaminare le leggi locali per determinare le procedure di smaltimento dell'olio della pompa.

Smaltimento della stazione

1. Svuotare il refrigerante dal circuito della stazione. Svuotare completamente il serbatoio del refrigerante in conformità alle norme di legge.
2. Consegnare la stazione a un centro di smaltimento appropriato.

Smaltimento delle batterie



Quando le batterie sono esauste, smaltirle in conformità alle norme di legge. Le batterie devono essere riciclate o smaltite correttamente. Non gettarle nei rifiuti urbani indifferenziati.



Per prevenire infortuni, non gettare le batterie in fiamme libere.

ROBINAIR®

Instrucciones originales



Modelo AC1234-3
Modelo AC1234-3P

Máquina de recuperación, reciclado y
recarga para sistemas de A/A con R1234yf



Descripción: máquina de recuperación, reciclado y recarga de sistemas de aire acondicionado con gas R1234yf.

INFORMACIÓN DEL PRODUCTO

Anote el número de serie y el año de fabricación de esta unidad para futuras consultas. Consulte la etiqueta de identificación del producto de la unidad para obtener información.

AC1234-3

Número de serie: _____ Año de fabricación: _____

EXENCIÓN DE RESPONSABILIDAD: La información, ilustraciones y especificaciones contenidas en este manual se basan en la información más reciente disponible en el momento de la publicación. Queda reservado el derecho a realizar cambios en cualquier momento sin obligación de notificar a personas o entidades algunas dichas revisiones o cambios. Además, ROBINAIR no será responsable de los errores aquí incluidos ni de los daños circunstanciales o daños y perjuicios (incluso pérdidas) relacionados con el suministro, rendimiento ni el uso de este material. Si fuera necesario, obtenga más información sobre salud y seguridad en los organismos públicos competentes y en los fabricantes del vehículo, el refrigerante y el lubricante.

Precauciones de seguridad	2
Introducción	
Especificaciones técnicas.....	5
Características del AC1234-3(P).....	6
Funciones del panel de control.....	7
Funciones del Menú de configuración	8
Configuración inicial	
Desembalaje de la máquina.....	9
Desembalaje del kit de accesorios.....	9
Encendido de la máquina	9
Seleccione idioma	10
Seleccione unidades	10
Ajuste fecha y hora.....	10
Editar cabeceras de impresión.....	10
Servicio de vacío.....	11
Depósito lleno.....	11
Activación de la unidad	13
Instrucciones de funcionamiento	
Introducción de datos de servicio	14
Recuperación.....	15
Vacío	17
Limpieza de manguitos	18
Carga.....	19
Automático.....	20
Lavado de sistema	21
Mantenimiento	
Planificación.....	13
Protección eléctrica.....	24
Bloqueo/ Etiquetado.....	24
Cargar idioma	24
Depósito lleno.....	25
Mantenimiento de filtro.....	26
Control de calibración.....	28
Cambio de aceite de la bomba de vacío	29
Control de fugas.....	30
Ajuste de inyección de aceite.....	31
Editar cabeceras de impresión.....	32
Sustitución del papel de la impresora.....	32
Instalación de una impresora	33
Recambios	34
Glosario 34	
Solución de problemas	35
Almacenamiento y transporte del equipo	39
Desecho del equipo	40

Precauciones de seguridad

Explicación de las palabras de señalización de seguridad empleadas en este manual

Las palabras de señalización de seguridad indican el nivel de gravedad del peligro.



PELIGRO: indica una situación de peligro inminente que, si no se evita, causará la muerte o lesiones graves.



ADVERTENCIA: indica una situación potencialmente peligrosa que, si no se evita, podría causar la muerte o lesiones graves.



PRECAUCIÓN: indica una situación potencialmente peligrosa que, si no se evita, puede provocar lesiones leves o moderadas.

Precaución: si se emplea sin el símbolo de alerta, indica una situación potencialmente peligrosa que, si no se evita, puede causar daños materiales.

Estos mensajes de seguridad comprenden situaciones conocidas por Robinair. Robinair no puede conocer, valorar ni advertirle de todos los peligros posibles. Es usted quien debe verificar las circunstancias y procedimientos que comprometan su seguridad personal.

Explicación de los adhesivos de seguridad empleados en el AC1234-3(P)

	Lea detenidamente las instrucciones.
	No utilice al aire libre en caso de lluvia o elevada humedad.
	Póngase guantes.
	Utilice gafas protectoras.
	Tensión alterna.
	Protección de toma de tierra.
	Peligro de descarga eléctrica.

Precauciones de seguridad



ADVERTENCIA: para evitar lesiones personales,



DEJE QUE SEA ÚNICAMENTE EL PERSONAL CUALIFICADO QUIEN ACCIONE LA MÁQUINA. Antes de poner en funcionamiento la máquina, lea y siga las instrucciones y advertencias de este manual. El operador debe estar familiarizado con los sistemas de aire acondicionado y de refrigeración, con los refrigerantes y los peligros asociados a los componentes presurizados. Si el operador no puede leer este manual, hay que leer y discutir las instrucciones de funcionamiento y las precauciones de seguridad en el idioma materno del operador.



UTILICE EL AC1234-3(P) COMO SE DESCRIBE EN ESTE MANUAL. El uso de la máquina en tareas para las que no se ha diseñado comprometerá la máquina y anulará las protecciones previstas.



EL DEPÓSITO PRESURIZADO CONTIENE LÍQUIDO REFRIGERANTE. No llene excesivamente el depósito de almacenamiento interno (ISV), ya que este exceso puede provocar una explosión que ocasione lesiones personales o la muerte. No recupere refrigerantes en recipientes no rellenables; utilice únicamente recipientes rellenables homologados con válvulas de seguridad.



LOS MANGUITOS PUEDEN CONTENER LÍQUIDO REFRIGERANTE A PRESIÓN. El contacto con refrigerante puede provocar lesiones personales, incluso ceguera y congelación de la piel. Utilice equipo de protección que incluya gafas y guantes. Desconecte los manguitos con extremo cuidado. Asegúrese de haber completado la fase antes de desconectar la máquina para impedir la liberación de refrigerante a la atmósfera.



NO INHALE VAPORES NI PULVERIZACIONES DE REFRIGERANTE NI LUBRICANTE. El gas R1234yf reduce el oxígeno disponible para respirar por lo que provoca somnolencia y mareo. La exposición a concentraciones elevadas de R1234yf provoca asfixia, lesiones en los ojos, nariz, garganta y pulmones y puede afectar al sistema nervioso central. Use la máquina en lugares donde haya ventilación mecánica que permita, al menos, la renovación total del aire en una hora. Si se produjera una descarga accidental del sistema, ventile la zona de trabajo antes de reanudar la tarea.

NO DISPERSE REFRIGERANTE EN EL AMBIENTE. Dicha precaución es necesaria para evitar la posible presencia de refrigerante en el entorno de trabajo.



PARA REDUCIR EL RIESGO DE INCENDIO, no emplee la máquina cerca de recipientes abiertos o derramados que contengan gasolina u otras sustancias inflamables.

PARA REDUCIR EL RIESGO DE INCENDIO, no utilice un cable de extensión o alargador. Un alargador puede sobrecalentarse y provocar un incendio. Si debe utilizar un cable de extensión, emplee el más corto posible con un tamaño mínimo de 14 AWG.

PARA REDUCIR EL RIESGO DE INCENDIO, no emplee la máquina cerca de llamas o superficies calientes. El refrigerante puede descomponerse a temperaturas elevadas liberando sustancias tóxicas al medio ambiente, lo que puede resultar nocivo para el usuario.

PARA REDUCIR EL RIESGO DE INCENDIO, no emplee la máquina en ambientes que contengan gases o vapores explosivos.

PARA REDUCIR EL RIESGO DE INCENDIO, no emplee la máquina en zonas clasificadas como ATEX. Proteja la máquina de circunstancias que puedan provocar fallos eléctricos u otros peligros relacionados con la interacción con el entorno.



NO EMPLEE AIRE COMPRIMIDO PARA REALIZAR PRUEBAS DE PRESIÓN O DE FUGA EN EL SISTEMA DE AIRE ACONDICIONADO DE LA MÁQUINA O EL VEHÍCULO. Las mezclas de aire y refrigerante R1234yf pueden volverse combustibles a una presión elevada. Estas mezclas son potencialmente peligrosas y pueden provocar incendios o explosiones, con los consiguientes daños a la propiedad y lesiones personales.



LA PRESENCIA DE COMPONENTES ELÉCTRICOS DE ALTA TENSIÓN EN LA MÁQUINA SUPONE UN RIESGO DE DESCARGA ELÉCTRICA. La exposición puede provocar lesiones personales. Desconecte la alimentación antes de realizar tareas de mantenimiento en la máquina.

NUNCA DEJE LA MÁQUINA CONECTADA SI NO TIENE PREVISTO UTILIZARLA DE INMEDIATO. Desconecte el suministro eléctrico antes de iniciar un largo período de inactividad o antes de realizar tareas internas de mantenimiento. Para garantizar que solo personal autorizado pueda poner en funcionamiento la máquina, utilice la función de bloqueo/ etiquetado.

NO MODIFIQUE LA VÁLVULA DE SEGURIDAD NI CAMBIE LOS AJUSTES DEL SISTEMA DE CONTROL. El uso de la máquina en tareas para las que no se ha diseñado comprometerá la máquina y anulará las protecciones previstas.

Precauciones de seguridad

PRECAUCIÓN: para evitar daños en el equipo,



PARA EVITAR LA CONTAMINACIÓN CRUZADA, UTILICE ESTA MÁQUINA ÚNICAMENTE CON REFRIGERANTE R1234YF. La máquina está equipada con conectores especiales que recuperan, reciclan y recargan únicamente refrigerante R1234yf. No intente adaptar la máquina a otro refrigerante. No mezcle distintos tipos de refrigerante en el sistema ni en el mismo recipiente: la mezcla de refrigerantes provocará graves daños en la máquina y en el sistema de aire acondicionado del vehículo.

NO UTILICE ESTA MÁQUINA A PLENO SOL. Coloque la máquina lejos de fuentes de calor, como el sol directo, que puede ocasionar exceso de temperatura. El uso de esta máquina en condiciones ambientales normales (de 10° a 50 °C) mantiene las presiones sujetas a límites razonables.



NO EMPLEE ESTA MÁQUINA AL AIRE LIBRE CON LLUVIA O HUMEDAD ELEVADA. Proteja la máquina de circunstancias que puedan provocar fallos eléctricos u otros peligros relacionados con la interacción con el entorno.

NO UTILICE ESTA MÁQUINA EN ZONAS EN LAS QUE HAYA RIESGO DE EXPLOSIÓN.

CONFIGURE LA MÁQUINA EN UNA SUPERFICIE NIVELADA Y CON SUFICIENTE ILUMINACIÓN; BLOQUEE LAS RUEDAS DELANTERAS Y NO EXPONGA LA MÁQUINA A VIBRACIONES.

Para obtener más información sobre salud y seguridad, puede dirigirse al fabricante del refrigerante.

Dispositivos de protección

El modelo AC1234-3(P) de Robinair está equipado con los siguientes dispositivos de protección:

- Válvulas de sobrepresión.
- Un interruptor de máxima presión detiene el compresor cuando detecta exceso de presión.



ADVERTENCIA: la alteración de estos dispositivos protectores podría provocar lesiones graves.

Prueba del depósito de refrigerante

Los registros oficiales y pruebas periódicas necesarias para los instrumentos presurizados se rigen por leyes y/o directivas nacionales dependiendo del país en el que se use el depósito de refrigerante. El encargado del sistema es responsable de respetar las leyes, directivas y normas técnicas. Durante el servicio normal, los depósitos de refrigerante no requieren mantenimiento. Consulte la sección Mantenimiento de este manual para obtener más información.

La máquina Robinair número AC1234-3(P) se emplea en vehículos que incorporan el gas R1234yf y se ha diseñado para ser compatible con el equipo de mantenimiento y los procedimientos estandarizados actuales. Esta máquina es un sistema de paso único (es decir, el refrigerante fluye una vez por el filtro) que cumple las especificaciones del refrigerante reciclado. Siga los procedimientos de mantenimiento recomendados para la contención del gas R1234yf.

Nota: Los sistemas con R1234yf precisan aceites especiales. Consulte el manual de servicio del fabricante del sistema de aire acondicionado para conocer las especificaciones del aceite.

Especificaciones técnicas

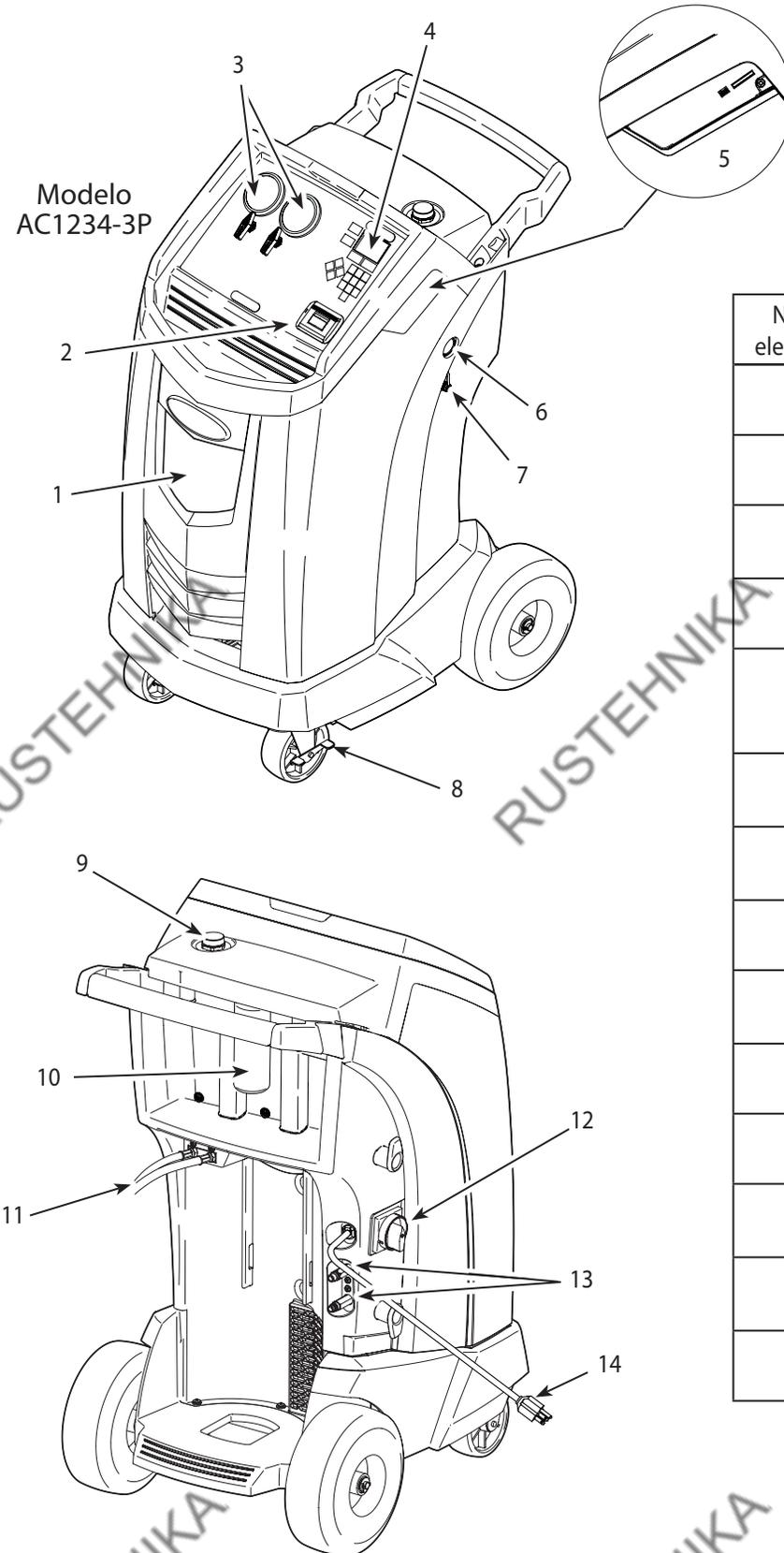
Compresor	1/4 CV
Dimensiones	107 x 61 x 76 cm
Pantalla	LCD gráfica VA de 3,94 x 6,34 cm
Filtro	150 kg
Humedad.....	32,2 °C (90 °F), 80% HR sin condensación
Manómetro	Ø 63 mm
Máxima presión	18 bar
Ruido	<70 dB(A)
Tensión nominal	230 V, 50/60 Hz
Depósito de aceite	355 ml
Temperatura de funcionamiento	de 10 a 50 °C
Consumo energético	1100 VA
Desplazamiento de aire libre de la bomba	2,5 CFM (70 l/m) 50 Hz
Manguitos de servicio	250 cm / SAE J2888
Capacidad del depósito	8,50 kg (18.74 lb.)
Peso	67 kg



Modelo AC1234-3

Introducción

Características del AC1234-3(P)



N.º de elemento	Descripción
1	Botella de drenaje de aceite
2	Impresora (solo AC1234-3P)
3	Manómetros de lado bajo (azul) y lado alto (rojo) y válvulas de panel
4	Pantalla gráfica y teclado
5	Conexiones USB y de tarjeta SD; aislamiento doble de 2224 V _{RMS} respecto a líneas principales
6	Mirilla de aceite de la bomba de vacío
7	Conector de drenaje de aceite de la bomba de vacío
8	Bloqueo de ruedas
9	Toma y tapón de llenado de aceite de la bomba de vacío
10	Botella de inyección de aceite
11	Manguitos de servicio
12	Interruptor de encendido/bloqueo/ etiquetado
13	Tomas de almacenamiento de los manguitos de servicio
14	Cable de alimentación

Funciones del panel de control

FLECHA ARRIBA mueve la selección de un elemento del menú al elemento anterior; sube el volumen del sonido.

FLECHA ABAJO mueve la selección de un elemento del menú al elemento siguiente; baja el volumen del sonido.

FLECHA DERECHA desplaza a la siguiente pantalla; avanza rápidamente el vídeo.

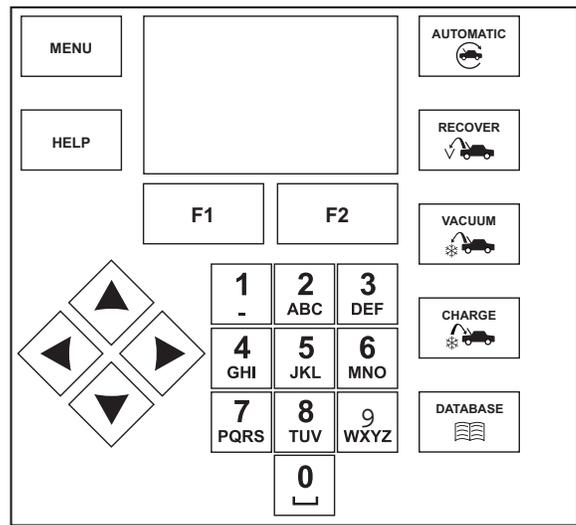
FLECHA IZQUIERDA desplaza a la pantalla anterior; rebobina el vídeo.

F1 hace una selección o responde una consulta.

F2 hace una selección o responde una consulta.

HELP (AYUDA) muestra información relacionada con la pantalla actual.

MENU (MENÚ) accede a funciones y parámetros adicionales.



Teclado del panel de control



AUTOMATIC (AUTOMÁTICO) activa el menú que ayuda al usuario a configurar una secuencia automática de recuperación/vacío/ prueba de fugas/ carga.



RECOVER (RECUPERACIÓN) activa la secuencia para recuperar el refrigerante del sistema de A/A del vehículo.



VACUUM (VACÍO) activa la secuencia que genera un gran vacío en el sistema de A/A del vehículo para eliminar el aire y la humedad.



CHARGE (CARGA) activa la secuencia que carga el sistema de A/A del vehículo con una cantidad programada de refrigerante.



DATABASE (BASE DE DATOS) suministra información sobre la capacidad de carga según el modelo del vehículo.

Introducción

Funciones del Menú de configuración

Acceda a las siguientes funciones pulsando la tecla Menu (Menú) y seleccionando Setup (Configuración).

Control de calibración

Utilice para verificar la calibración de la báscula interna. Consulte Control de calibración en la sección Mantenimiento de este manual de usuario.

Editar cab. de impresión

Programa la información que aparecerá en la impresión cada vez que utilice la función de imprimir.

Mantenimiento de filtro

El filtro elimina el ácido, las partículas y la humedad del refrigerante. Para cumplir los requisitos, es obligatorio cambiar el filtro después de haber filtrado 150 kg (331 libras) de refrigerante.

Esta opción del menú muestra la capacidad restante del filtro hasta que la máquina se apague y deje de funcionar. Consulte Mantenimiento del filtro en la sección Mantenimiento.

Lave manguitos

Limpia el aceite residual de los manguitos de servicio de la máquina para prepararse para el servicio del próximo vehículo.

Ajustar inyec. aceite

Hay variables que afectan a la precisión de la inyección de aceite. Utilice esta opción para ajustar el factor de corrección de la inyección de aceite cuando utilice aceites de muy alta o muy baja viscosidad, o si la máquina está en funcionamiento a temperaturas ambiente muy altas o muy bajas. Consulte Ajuste de la inyección de aceite en la sección Mantenimiento de este manual de instrucciones.

Menú de producción

Solo para uso de producción de Robinair.

Mantenimiento de bomba

Muestra la cantidad de tiempo restante hasta el próximo cambio de aceite de la bomba de vacío. Para obtener el máximo rendimiento de la bomba de vacío, cambie el aceite de la bomba de vacío cada vez que sustituya el filtro. Consulte Cambio de aceite de la bomba de vacío en la sección Mantenimiento.

Gestión Ref.

Muestra la cantidad de refrigerante recuperado, cargado y rellenado (para determinar la vida útil de la máquina) y filtrado desde el último cambio de filtro.

Seleccione idioma

Seleccione un idioma para las indicaciones de pantalla. El inglés es el idioma predeterminado.

Menú de servicio

Solo para uso del centro de servicio de Robinair.

Seleccione unidades

Programa la máquina para que muestre las unidades de medida en kilogramos o libras. La visualización predeterminada es el kilogramo.

Ajuste fecha y hora

Programa en la máquina la fecha y hora actuales.

Lavado de sistema

Proporciona un método de eliminación de aceite al forzar el paso del refrigerante líquido por un sistema de A/A o por los componentes de un sistema de A/A. Después del lavado, la máquina recupera el refrigerante y lo filtra mediante el circuito de reciclado.

Datos de sistema

Muestra el nivel de revisión del software de la máquina.

Depós. lleno

Use esta opción del Menú de configuración para transferir refrigerante de un depósito de origen al depósito de almacenamiento interno (ISV). El valor de llenado del tanque se puede ajustar hacia arriba o hacia abajo para adaptarse a las necesidades del usuario. Consulte Depósito lleno en la sección Mantenimiento.

Activ. de unidad

En caso de no registrar ni activar la máquina en un plazo de 30 días tras la puesta en marcha inicial, la máquina se bloqueará y dejará de funcionar. Seleccione esta opción del Menú de configuración y siga las indicaciones antes de que expire el período de prueba.

Ver datos de servicio

Muestra la información del vehículo que se ha introducido en la pantalla Introducción de datos de servicio. Los vehículos se muestran por fecha de servicio y número de bastidor (VIN). La base de datos almacena 25 entradas de VIN.

Configuración inicial

Desembalaje de la máquina

1. Retire los flejes de la caja.
2. Retire el cartón superior, la bandeja preformada y las cantoneras.
3. Quite la funda del cartón inferior de la caja.
4. Haga rodar suavemente la unidad hacia adelante y fuera del palé, evitando los impactos.



ADVERTENCIA: Para evitar lesiones personales al trabajar con refrigerante, lea y siga las instrucciones y advertencias de este manual y utilice equipos de protección como gafas y guantes.



Desembalaje del kit de accesorios

Desempaquete el kit de accesorios de la caja y retire los envases de plástico.

Kit de accesorios

Peso de calibración 533 g		Adaptadores para manguito de llenado de depósito (3)	
Juntas (3)		Bolsa que contiene el manual de usuario, la tarjeta de garantía que se debe cumplimentar y enviar por correo, las hojas de datos de seguridad de materiales (MSDS) y la lista de centros de servicio.	

Encendido de la máquina

1. Desenrolle el cable eléctrico del asa y conéctelo a una toma eléctrica de la tensión adecuada con toma de tierra.
2. Sitúe la máquina de forma que el operador pueda acceder con facilidad a la clavija del enchufe y al interruptor de encendido. Compruebe que las rejillas de ventilación de la parte trasera de la máquina no estén obstruidas.
3. Bloquee las ruedas delanteras.
4. Gire el interruptor de encendido a la derecha (CW) para encender la máquina. Consulte la figura 1.

La máquina activa el modo de Configuración inicial.

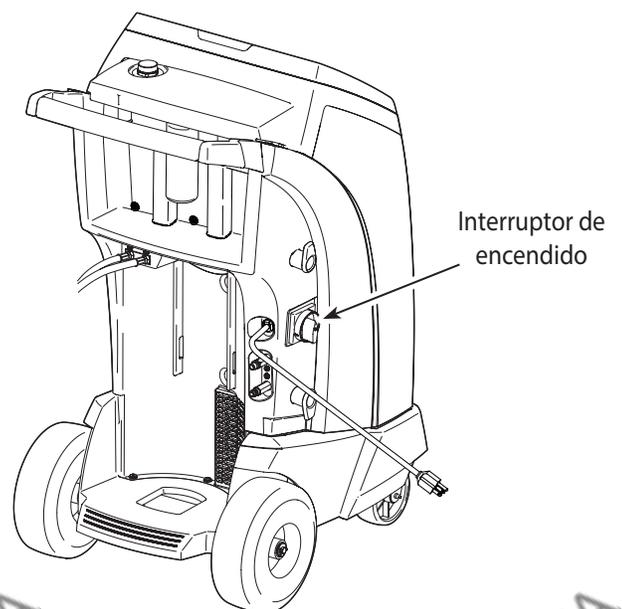


Figura 1

Configuración inicial

Seleccione idioma

El operador selecciona el idioma de las indicaciones de pantallas. El inglés es el idioma predeterminado.

1. Utilice la flecha ARRIBA o ABAJO para cambiar entre los idiomas disponibles de uno en uno.
2. Pulse F1 para confirmar el idioma seleccionado.

Nota: Para actualizar un idioma previo o añadir uno nuevo, consulte Cargar idioma en la sección Mantenimiento de este manual.

Seleccione unidades

El operador determina las unidades de medida. El sistema predeterminado es Métrico.

1. Utilice la flecha ARRIBA o ABAJO para cambiar entre las unidades de los sistemas Imperial o Métrico.
2. Pulse F1 para elegir la unidad de medida indicada.

Ajuste fecha y hora

Utilice las teclas de flecha para mover el cursor. Use el teclado para modificar la información que aparece.

1. Utilice las teclas de flecha ARRIBA y ABAJO para seleccionar qué elemento desea cambiar: el día, el mes, el año o la hora.
2. Use la interfaz multitáctil del teclado numérico para modificar la información:
3. Pulse F1 para guardar.

Editar cabeceras de impresión

Esta máquina tiene la capacidad de almacenar información sobre la recuperación, vacío, carga y lavado de hasta 25 vehículos. La información cargada en Editar cab. impresión aparecerá en cada impresión. Si desea añadir una impresora a su máquina, consulte Instalación de una impresora en la sección Mantenimiento de este manual.

1. Introduzca el texto con las flechas y la interfaz multitáctil del teclado numérico:
 - La flecha IZQUIERDA actúa como tecla de retroceso.
 - La flecha DERECHA mueve el cursor a la derecha.
 - La tecla CERO (0) actúa como barra espaciadora.
 - Las teclas ARRIBA y ABAJO permiten el desplazamiento entre las filas.
2. Pulse F1 para continuar; pulse F2 para volver a la cabecera anterior.

Servicio de vacío

En este punto la máquina limpia sus tubos internos antes de proceder con la configuración.

1. Compruebe la mirilla de nivel del aceite de la bomba de vacío y verifique que el nivel del aceite esté en el centro de la mirilla.
2. Cuando se le indique, conecte los manguitos de servicio de la máquina a sus tomas de almacenamiento, como se muestra en la figura 2.
3. Abra los acopladores girando a la derecha los collarines.
4. Pulse F1. La máquina realiza una limpieza interna de sus tubos y suena una alarma cuando el proceso ha finalizado.



Figura 2

Depósito lleno

Este procedimiento transfiere refrigerante desde un depósito de origen al depósito de almacenamiento interno (ISV) de la máquina. La capacidad máxima del ISV es de 8,5 kg. Utilice las flechas para mover el cursor y el teclado para introducir un valor.

1. La máquina muestra los campos de la cantidad deseada de llenado del depósito, de refrigerante cargable y la cantidad de refrigerante recuperado en el ISV. Introduzca la cantidad deseada de llenado del depósito. Nota: Añada al menos 3,6 kg de refrigerante para asegurar que haya suficiente para la carga.
2. Conecte el manguito del lado bajo (azul) al conector de líquidos del depósito de origen.
3. Abra la válvula del lado bajo (azul) en el panel de control.
4. Abra la válvula del acoplador del manguito girando el collarín a la derecha.
5. Abra la válvula del depósito de origen.
6. Sitúe el depósito de origen de tal forma que el refrigerante líquido llegue a la conexión.
7. Pulse F1 para iniciar el proceso de llenado del depósito. La máquina comienza a llenar el depósito de almacenamiento interno (ISV). Añada al menos 3,6 kg de refrigerante para asegurar que haya suficiente para la carga. Este proceso dura entre 15 y 20 minutos.

Nota:

Cantidad cargable: la cantidad de refrigerante del ISV que se puede cargar en un sistema de A/A de un vehículo.

Cantidad recuperable: la cantidad de refrigerante adicional que podría recuperarse en el ISV.

Configuración inicial

Depósito lleno (cont.)

8. La máquina se detiene cuando la cantidad asignada de refrigerante se ha transferido al ISV o cuando el depósito de origen está vacío. Siga los mensajes que aparecen en la pantalla.
9. Cierre la válvula del lado bajo (azul) en el panel de control.
10. Cierre la válvula del acoplador del manguito girando el collarín a la izquierda.
11. Cierre la válvula del depósito de origen.
12. Pulse F2 para volver al Menú de configuración.

La máquina está lista para funcionar.

Nota:

- No hay necesidad de calibrar la báscula, ya viene calibrada de fábrica.
- Tras completar el proceso de llenado del depósito, la pantalla no muestra la misma cantidad que el nivel de llenado programado.

La pantalla muestra la cantidad de refrigerante que está disponible para cargar, que es aproximadamente 0,91 kg menos que la cantidad total de refrigerante que se encuentra en el depósito.

Activación de unidad

En caso de no registrar ni activar la máquina en un plazo de 30 días tras la puesta en marcha inicial, la máquina se bloqueará y dejará de funcionar.

1. Seleccione Activ. de unidad en el Menú de configuración. La máquina muestra:

DÍAS REST. DE PERIODO DE PRUEBA
PARA ACTIVAR UNIDAD. ¿ACTIVAR?

2. Pulse F1 para iniciar el proceso de activación. La máquina muestra:

CÓDIGO PERSONAL DE PRODUCTO
XXXXXXXXXXXX
[HTTPS://REGISTER.SERVICESOLUTIONSPORTAL.COM](https://register.servicesolutionsportal.com)
PARA CÓD. ACTIVACIÓN

3. Abra un navegador web en un ordenador personal y escriba la dirección web que aparece en el paso 2.
4. Introduzca su nombre de usuario y contraseña e inicie sesión en el sitio web. Nota: si entra por primera vez, haga clic en el botón de registro para crear un nombre de usuario y contraseña.
5. Introduzca el código personal de producto de su máquina para recibir un código de activación.
6. En el AC1234-3(P), pulse F1. La máquina muestra:

CÓDIGO PERSONAL DE PRODUCTO
XXXXXXXXXXXX
INTR. CÓDIGO:
XXXXXXXXXXXXXXXXXXXX

Introduzca el código de activación en el campo correcto. Nota: escriba el código exactamente como lo recibió. Se distinguen mayúsculas y minúsculas.

7. Anote el código de activación en un papel y guárdelo en un lugar seguro. Pulse F1.
8. La máquina muestra:

ACTIVACIÓN CORRECTA.

Pulse F1. El AC1234-3(P) ha sido activado.

Instrucciones de funcionamiento: Introducir datos de servicio

Intr. datos de servicio

Después de seleccionar cualquier función de servicio, se podrá introducir información sobre el vehículo y guardarla en la base de datos de la máquina.

1. La máquina muestra:

INTR. DATOS DE SERVICIO - REGISTRO NUEVO

2. Pulse F1 para introducir un nuevo registro o desplácese para seleccionar un vehículo con el servicio ya realizado y pulse F1. La máquina muestra:

INTR. DATOS DE SERVICIO
VIN: _____
KILOMETRAJE: _____
MARCA: _____
MODELO: _____

3. Utilice las teclas de flecha para moverse entre las filas y el teclado multitáctil para escribir texto.

La información introducida en esta pantalla se almacena por fecha y número de identificación del vehículo (VIN). La base de datos almacena las 25 entradas más recientes, con la más reciente en la parte superior de la lista.

La información también aparecerá en los listados de resumen de servicios si se utiliza la máquina AC1234-3P.

Instrucciones de funcionamiento: Recuperación



Recuperación de refrigerante de un vehículo

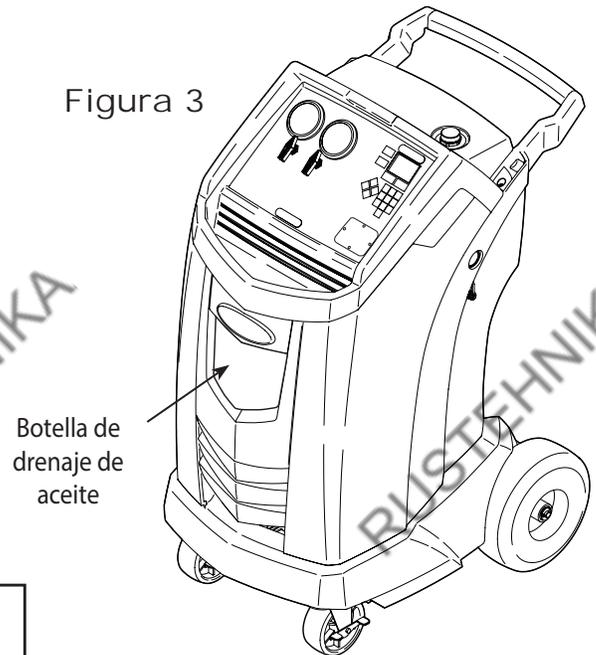
1. Vacíe la botella de drenaje de aceite antes de comenzar una recuperación. Retire la botella de drenaje de aceite de la máquina tirando de la botella hacia abajo (no haga movimientos de giro ni de inclinación). Consulte la figura 3.
2. Conecte los manguitos de servicio del lado alto (rojo) y lado bajo (azul) al sistema de A/A del vehículo.
3. Abra las válvulas de los acopladores de los manguitos girando a la derecha los collarines.
4. Abra las válvulas del lado alto y lado bajo en el panel de control de la máquina.
5. Pulse el botón RECOVER (RECUPERACIÓN) en el panel de control. Consulte la figura 4.
6. Pulse F1. El equipo inicia el proceso de recuperación. El chasquido indica que la electroválvula se está abriendo y cerrando, lo que es normal.
7. La máquina realiza un ciclo de autolimpieza para eliminar todo refrigerante interno de sus tubos internos.
8. Cuando el sistema haya recuperado 0,45 bar (13 in/Hg), la recuperación se ha completado.



ADVERTENCIA: Para evitar lesiones personales al trabajar con refrigerante, lea y siga las instrucciones y advertencias de este manual y utilice equipos de protección como gafas y guantes.



Figura 3



Botella de drenaje de aceite

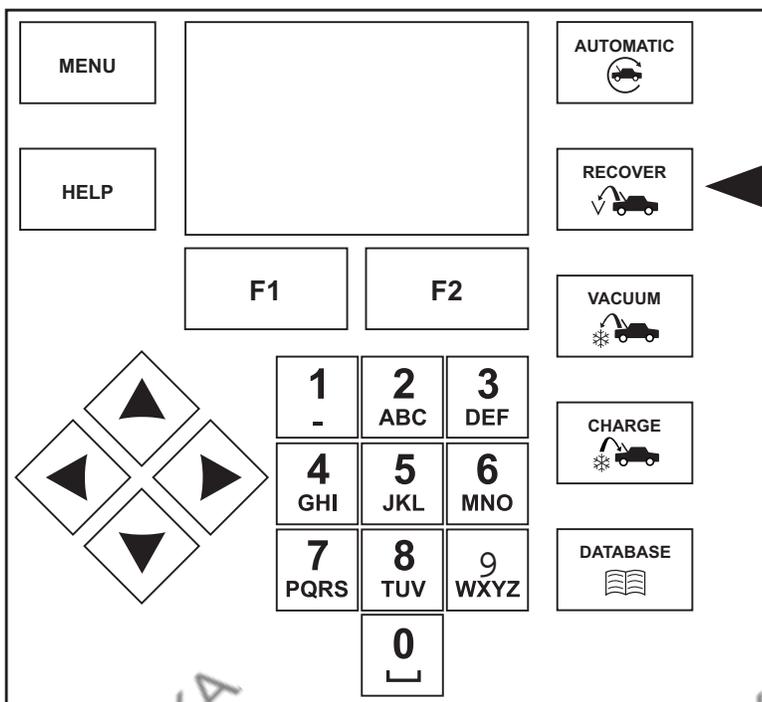


Figura 4

Instrucciones de funcionamiento: Recuperación

Recuperación de refrigerante de un vehículo (cont.)

9. Después de la recuperación, la máquina efectúa un drenaje del aceite, lo que puede requerir hasta 90 segundos en completarse.
10. Tras finalizar el drenaje del aceite, aparece un resumen del gas recuperado y del aceite drenado. Si su máquina es la AC1234-3P, puede imprimir la información de recuperación y el diagnóstico previo seleccionando F1. Pulse F2 para volver a la pantalla Seleccionar acción.

Nota: El peso recuperado que aparece puede variar dependiendo de las condiciones ambientales y no debe utilizarse como indicador de la precisión de la báscula.

11. La cantidad de aceite que se eliminó del sistema de A/A es la cantidad de aceite nuevo que se debe cargar en el sistema de A/A después de completar la evacuación.
 - Use solo aceite nuevo para sustituir el aceite extraído durante el proceso de reciclado.
 - Deseche el aceite usado según la legislación aplicable.

La recuperación se completó.

PRECAUCIÓN: Para evitar la pérdida de refrigerante a la atmósfera, deje que la máquina se enfríe 30 minutos, con la alimentación encendida, entre recuperaciones cuando funcione a temperaturas ambiente superiores a 40 °C (104 °F).

Para eliminar automáticamente del depósito ISV los gases no condensables, se utiliza una válvula para liberar la presión y purgar el aire. Las recuperaciones consecutivas a temperatura ambiente excesivamente alta pueden elevar rápidamente la presión del depósito, provocando una activación no deseada de esta válvula. Potencialmente, esto puede ocasionar la pérdida excesiva de refrigerante.

Instrucciones de funcionamiento: Vacío



Evacuar el sistema de A/A del vehículo

1. Conecte los manguitos de servicio a las tomas de servicio del vehículo.
2. Abra los acopladores de los manguitos girando a la derecha los collarines.
3. Abra las válvulas del lado alto y lado bajo en el panel de control de la máquina.
4. Pulse VACUUM (VACÍO).
5. Pulse F1 para aceptar el tiempo de evacuación predeterminado de 15 minutos o introduzca el tiempo de vacío que desee con el teclado numérico. Pulse F1.

Nota: El proceso de vacío se detendrá si la presión aumenta por encima de 0,35 bar (5 psi). Recupere el refrigerante antes de continuar.

6. La máquina hace el vacío del sistema de A/A durante la cantidad de tiempo programado.
7. La máquina se detiene cuando ha transcurrido el período de tiempo especificado.

Si la máquina es el modelo AC1234-3P, puede imprimir la información del vacío seleccionando F1.

Pulse F2 para volver a la pantalla Seleccionar acción.



ADVERTENCIA: Para evitar lesiones personales al trabajar con refrigerante, lea y siga las instrucciones y advertencias de este manual y utilice equipos de protección como gafas y guantes.

Instrucciones de funcionamiento: Limpieza de manguitos

Limpieza de los manguitos

Si el vehículo que se va a trabajar a continuación contiene un tipo diferente de aceite, es recomendable limpiar los manguitos de servicio de los residuos de aceite para evitar la contaminación.

1. Seleccione LAVE MANGUITOS en el Menú de configuración. La máquina muestra:

CONECTE MANG. A TOMAS ALMAC.
Y ABRA LAS VÁLVULAS.

2. Conecte los manguitos de servicio a las conexiones de las tomas de almacenamiento de la máquina como se muestra en la figura 5.
3. Abra los acopladores de los manguitos girando a la derecha los collarines.
4. Abra las válvulas del lado alto y lado bajo en el panel de control de la máquina.
5. Pulse F1 para comenzar el proceso de lavado de los manguitos, que dura 3 minutos, seguido de una recuperación.
6. Al completarse el proceso de lavado, la pantalla muestra:

LAVE MANGUITOS COMPLETO.

Pulse F2 para salir y volver al Menú de configuración.

7. Cierre las válvulas del acoplador girando los collarines a la izquierda.
8. Cierre las válvulas de panel en el panel de control de la máquina.



ADVERTENCIA: Para evitar lesiones personales al trabajar con refrigerante, lea y siga las instrucciones y advertencias de este manual y utilice equipos de protección como gafas y guantes.

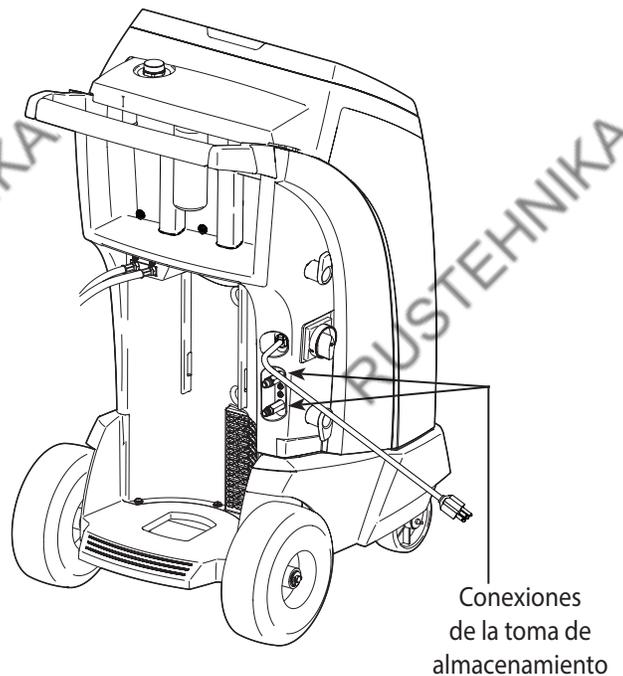


Figura 5

Instrucciones de funcionamiento: Carga



Recarga del sistema de A/A del vehículo

Durante el proceso de CARGA se realizan pruebas de fugas automáticas. Para evitar fallos falsos, las temperaturas del sistema del vehículo y de la máquina de recuperación deben estar comprendidas entre los - 5 y los 5 °C.

1. Conecte los dos manguitos de servicio a las tomas de servicio del vehículo. Abra ambas válvulas de panel del lado alto y del lado bajo.
2. Pulse CHARGE (CARGA). La pantalla muestra:

REFRIGERANTE: 00,0000 KG
ACEITE: 000 ML
SELEC. TECLA MENÚ PARA CAMBIAR UNIDADES.

3. Utilice las teclas de flecha y el teclado numérico para introducir la cantidad de carga que desea.
4. Pulse F1 para iniciar el proceso de carga. Después de que la máquina haya completado una prueba de fugas previa a la carga, se le pedirá que seleccione una ruta de carga. Nota: Solo se puede completar una carga del lado alto o una carga de ambos lados si también se inyecta aceite.
 - Carga del lado alto: Verifique que la válvula de panel del lado alto (rojo) y los dos acopladores de los manguitos de servicio están abiertos. Cierre la válvula de panel del lado bajo (azul).
 - Carga del lado bajo: Verifique que la válvula de panel del lado bajo (azul) y los dos acopladores de los manguitos de servicio están abiertos. Cierre la válvula de panel del lado alto (rojo).
 - Carga de ambos lados: Verifique que ambas válvulas de panel y ambos acopladores de manguitos de servicio están abiertos.
5. Pulse F1 para continuar el proceso de carga. Si mueve o golpea la máquina en este punto, se puede provocar una carga incorrecta. Cuando el ciclo de carga se acerca al valor de peso deseado, la máquina se ralentiza. Se cargará, asentará, cargará de nuevo, asentará, etc.
6. Cuando se le indique, cierre los acopladores de servicio abiertos. Sin embargo, las válvulas de panel abiertas deben permanecer abiertas. Retire los manguitos de servicio del sistema de A/A e instale los manguitos en las tomas de almacenamiento de la máquina. Pulse F1 para limpiar los manguitos.
7. Cuando aparezca la pantalla CARGA COMPLETA, verá que incluye un resumen de los resultados de la carga. Si utiliza el modelo AC1234-3P, se puede imprimir el resumen pulsando F1. Pulse F2 para volver a la pantalla Seleccionar acción.
8. Cierre las válvulas de panel. El sistema de A/A del vehículo está ahora listo para su uso.



ADVERTENCIA: Para evitar lesiones personales al trabajar con refrigerante, lea y siga las instrucciones y advertencias de este manual y utilice equipos de protección como gafas y guantes.

Nota: El proceso de carga difiere de un vehículo a otro. La función de carga de vehículos equipados con un conector de servicio único debe llevarse a cabo de forma manual. Consulte el manual de servicio del vehículo para obtener instrucciones específicas.

PRECAUCIÓN: Si la válvula del acoplador del lado bajo (azul) o del lado alto (rojo) se deja abierta y conectada durante el proceso de limpieza del manguito, el sistema volverá a extraer refrigerante del vehículo.

Instrucciones de funcionamiento: Automático



Función automática

La función AUTOMÁTICA permite al usuario realizar de forma automática una secuencia de recuperación, vacío, prueba de fugas y/o carga. Una secuencia automática total puede tardar hasta una hora en completarse.

1. Conecte los manguitos de servicio del lado alto (rojo) y lado bajo (azul) al sistema de A/A.
2. Abra los acopladores de los manguitos girando a la derecha los collarines.
3. Abra las válvulas del lado alto y lado bajo en el panel de control de la máquina.
4. Pulse AUTOMATIC (AUTOMÁTICO). Siga las instrucciones de la pantalla mientras la máquina recorre el ciclo automático. Durante la carga, siga las instrucciones de carga específicas mencionadas en este manual.
5. Cuando se le solicite, cierre los acopladores de los manguitos de servicio girando los collarines a la izquierda. Sin embargo, las válvulas de panel abiertas deben permanecer abiertas.
6. Retire los manguitos de servicio del sistema de A/A e instale los manguitos en las tomas de almacenamiento de la máquina. Pulse F1 para limpiar los manguitos. Esto prepara la máquina para el siguiente servicio.
7. Cuando aparezca la pantalla CARGA COMPLETA, se muestra un resumen de los resultados de la carga. Si la máquina es el modelo AC1234-3P, se puede imprimir el resumen pulsando F1. Pulse F2 para volver a la pantalla Seleccionar acción.
8. Cierre las válvulas de panel en este momento.



ADVERTENCIA: Para evitar lesiones personales al trabajar con refrigerante, lea y siga las instrucciones y advertencias de este manual y utilice equipos de protección como gafas y guantes.

Información sobre la función automática

- La función CHARGE (CARGA) para los vehículos equipados con un conector de servicio único debe llevarse a cabo de forma manual, de acuerdo con los procedimientos del manual de servicio del fabricante del vehículo.
- La cantidad de aceite recuperado durante la RECUPERACIÓN se inyecta de forma automática antes del ciclo de CARGA.
- Si no se ha realizado la RECUPERACIÓN, la cantidad de aceite a inyectar puede introducirse mientras se programa la información de CARGA.
- Si surgen problemas durante la secuencia automática, una alerta acústica suena tres veces. La secuencia permanece en pausa hasta que el usuario toma una decisión sobre cómo proceder.
- La prueba de fugas previa a la carga es automática.

Instrucciones de funcionamiento: Lavado de sistema

Lavado de sistema

La función LAVADO DE SISTEMA se lleva a cabo utilizando un adaptador de lavado aprobado por el fabricante del vehículo. Consulte también las instrucciones que adjunta el adaptador al realizar los pasos siguientes.

1. Compruebe que el filtro del purgador y el depurador no estén obstruidos.
2. Monte el purgador en la parte trasera de la máquina Robinair. No realice ninguna conexión en este momento.
3. Retire la botella de drenaje de aceite (vea la figura 6) de la máquina Robinair. Vacíe la botella de aceite y deseche el aceite de acuerdo con la normativa de su zona. Vuelva a instalar la botella de drenaje de aceite en la máquina.
4. Recupere todo el refrigerante del sistema que se va a lavar.
5. Tenga en cuenta la cantidad de aceite recogido durante la recuperación. Esta cantidad debe sustituirse, así como cualquier aceite recogido durante el lavado.

Nota: La cantidad de aceite recogido y anotado durante el lavado del sistema no incluye la cantidad de aceite recogido durante la recuperación inicial.

6. Verifique que haya por lo menos 6,0 kg (13,2 libras) de refrigerante en la máquina Robinair. La máquina no será capaz de completar un lavado del sistema sin al menos 6,0 kg de refrigerante en el ISV.

Nota: si la máquina no tiene al menos 6,0 kg (13,2 libras) de refrigerante incorporado, consulte la sección de este manual titulada Depósito lleno.

7. Desconecte la máquina Robinair del vehículo.
8. Consulte el manual de servicio del vehículo y conecte los adaptadores de lavado y derivaciones adecuados.
9. Conecte el manguito de servicio del lado bajo (azul) directamente al filtro del kit de lavado.
10. Quite el acoplador de servicio del lado alto (rojo) y conecte el manguito de servicio del lado alto (rojo) en el adaptador de la línea de aspiración del sistema.
11. Utilice el manguito suministrado para conectar el adaptador de descarga del sistema a la toma del purgador.
12. Conecte los manguitos de acuerdo con las instrucciones que se incluyen con el kit de lavado.
13. Seleccione Lavado de sistema en el Menú de configuración. La máquina muestra un aviso para verificar que el kit de lavado esté conectado correctamente y para abrir ambas válvulas de panel. Pulse F1 para continuar.
14. Acepte el tiempo de vacío predeterminado o programe mayor cantidad de tiempo. Pulse F1.



ADVERTENCIA: Para evitar lesiones personales al trabajar con refrigerante, lea y siga las instrucciones y advertencias de este manual y utilice equipos de protección como gafas y guantes.

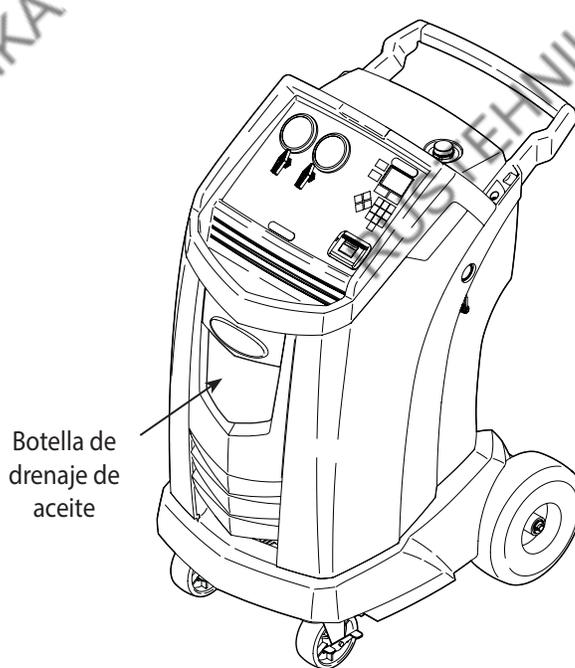


Figura 6

Instrucciones de funcionamiento: Lavado de sistema

Lavado de sistema (cont.)

15. Cuando se complete el vacío, se inicia una prueba de presión de 5 minutos. Se carga una pequeña cantidad de refrigerante y se recupera a través del circuito de lavado, mientras la máquina comprueba continuamente si hay pérdida de presión dentro del sistema.
16. Después de una prueba de presión con éxito, la máquina muestra:

CIERRE VÁLV. PANEL LB Y ABRA VÁLV. LA.

Cierre la válvula de panel del lado bajo, abra la válvula de panel del lado alto. Pulse F1 para iniciar el ciclo de lavado.

17. Tras una pequeña carga, la máquina muestra:

CIERRE VÁLV. PANEL LA Y ABRA VÁLV. LB.

Cierre la válvula de panel del lado alto, abra la válvula de panel del lado bajo. Pulse F1 para continuar. El refrigerante cargado se recupera a través del manguito de servicio del lado bajo.

18. Los pasos 15 y 16 se repiten tres veces más para garantizar un lavado de sistema eficaz. Después del cuarto ciclo, la máquina realiza automáticamente un drenaje de aceite. Después de completar el drenaje de aceite, la máquina muestra la cantidad total de aceite drenado durante este proceso:

COMPLETO
ACEITE: XXXYY

19. Tras un lavado con éxito y un reensamblaje del sistema de montaje, sustituya todo el aceite perdido durante el proceso. Consulte el manual de servicio del vehículo para obtener instrucciones adicionales.
20. Pulse F2 para volver al Menú de configuración.



ADVERTENCIA: No desconecte los acopladores de servicio durante el proceso de lavado. El refrigerante podría salpicar los conectores, y la exposición puede ocasionar lesiones personales.

PRECAUCIÓN: El kit de lavado tiene un filtro reemplazable, así como un depurador de desechos: ambos se pueden obstruir. Al final del ciclo de lavado, compruebe el indicador del lado alto (rojo) por si hubiera presión en el sistema, y compruebe el adaptador para confirmar la total extracción del refrigerante.

Si hay presión o queda refrigerante, salga del ciclo de lavado e introduzca el modo de recuperación para recuperar el refrigerante a través de los dos manguitos, el del lado alto (rojo) y el lado bajo (azul). A continuación realice el mantenimiento de los filtros y repita el proceso de lavado.

Planificación de mantenimiento

Tareas de mantenimiento	Intervalo recomendado
Cambio de filtro	Después de haber filtrado 150 kg (331 libras) de refrigerante. Consulte Mantenimiento de filtro en la sección Mantenimiento de este manual.
Cambio de aceite de la bomba de vacío	Cuando se cambie el filtro. Consulte Cambio de aceite de la bomba de vacío en la sección Mantenimiento de este manual.
Comprobación de funcionamiento fácil de ruedas giratorias y ruedas fijas	Mensualmente.
Control de calibración de la báscula interna	Mensualmente. Consulte Control de calibración en la sección Mantenimiento de este manual.
Control de fugas de la máquina	Mensualmente. Compruebe que los manguitos y conexiones no tengan fugas. Desconecte la alimentación, extraiga la carcasa y utilice un detector electrónico de fugas para comprobar las conexiones.
Limpieza de los paneles de admisión de aire (vea la figura 7)	Mensualmente. Utilice un paño limpio.
Limpieza de la carcasa y el panel de control	Mensualmente. Utilice un paño limpio.
Inspección de cortes y abrasiones en el cable de alimentación y los manguitos	Diariamente.
Lubricación de los cojinetes de las ruedas e inspección de los componentes del freno	Mensualmente.
Prueba de presión	Cada 10 años: realizada por un centro de servicio autorizado de Robinair.

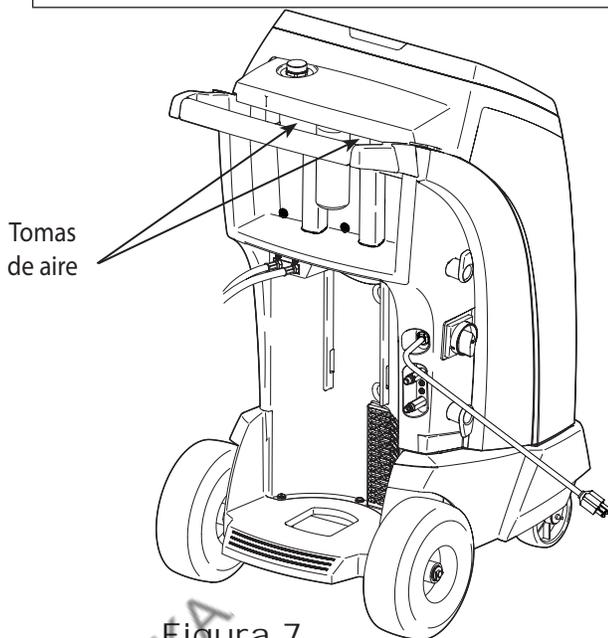


Figura 7



ADVERTENCIA: para evitar lesiones personales,



- Solo personal cualificado puede realizar inspecciones y reparaciones a la máquina.



- Lea y siga las instrucciones y advertencias de este manual.



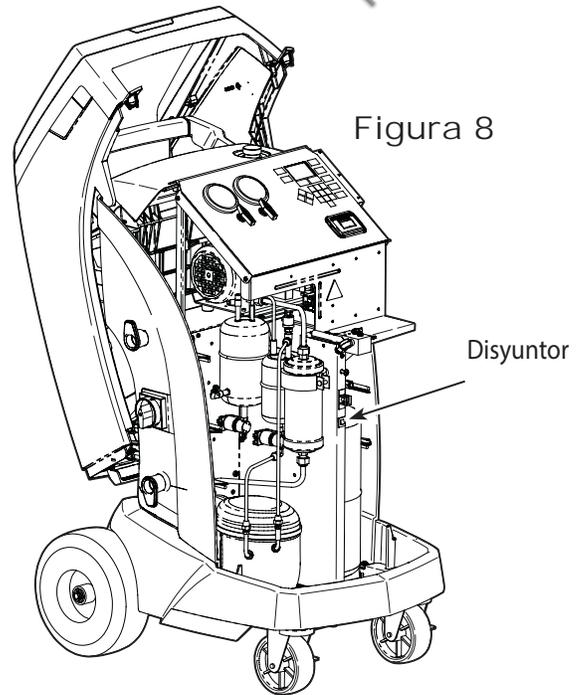
- Utilice equipo de protección como gafas y guantes.

Mantenimiento

Protección eléctrica

La máquina está equipada con un disyuntor en el divisor central como se muestra en la figura 8. Si el disyuntor se activa, su botón sobresaldrá. Un disyuntor activado provocará que la máquina deje de recibir energía.

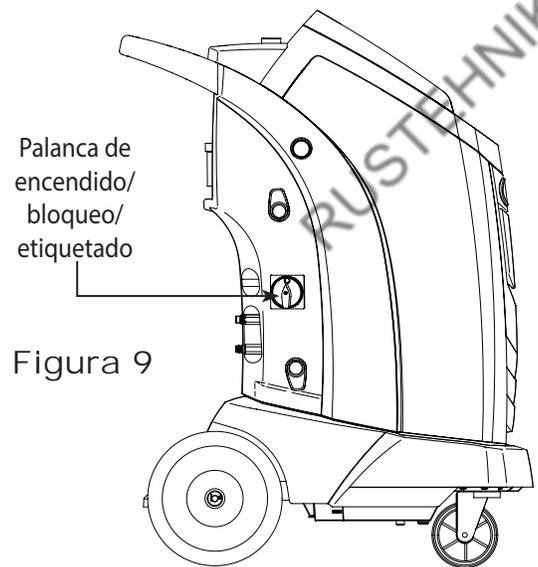
1. Extraiga la cubierta delantera.
2. Presione el botón del disyuntor para restablecer.
3. Vuelva a colocar la cubierta.



Bloqueo/ Etiquetado

Para garantizar que solo personal autorizado pueda poner en funcionamiento la máquina, utilice la función de bloqueo/ etiquetado. Consulte la figura 9.

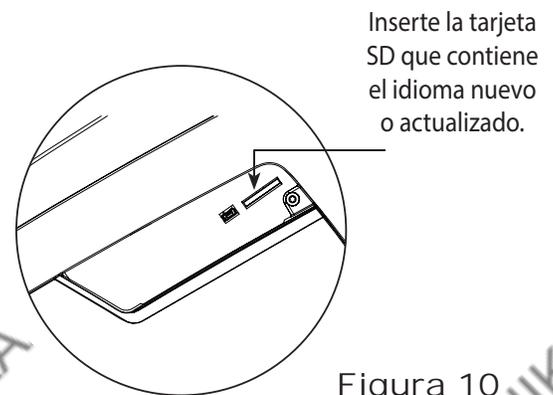
1. Gire la palanca de encendido/ bloqueo/ etiquetado a la izquierda (CCW).
2. Inserte un candado u otro elemento a través de los orificios alineados para que la palanca no se pueda girar a la derecha (CW) para arrancar la máquina.



Cargar idioma

Siga las instrucciones que aparecen a continuación para agregar o actualizar un idioma desde una tarjeta SD.

1. Elija SELECCIONE IDIOMA en el Menú de configuración.
2. Use las teclas de flecha para llegar hasta LOAD NEW (CARGAR NUEVO). Pulse F1.
3. Inserte la tarjeta SD que contiene los datos del idioma en el panel lateral de la máquina. Consulte la figura 10.
4. Siga las indicaciones para seleccionar el idioma que se va a cargar o a descargar. Si se carga un nuevo idioma, será necesario seleccionar el idioma al que sustituye.



Depósito lleno

Esta opción del menú se utiliza para transferir refrigerante desde un depósito de origen hasta el ISV.

La capacidad máxima del depósito de almacenamiento interno (ISV) es de 8,5 kg. Utilice las flechas para mover el cursor y el teclado para introducir un valor. Nota: Añada al menos 3,6 kg de refrigerante para asegurar que haya suficiente para la carga.

1. Conecte el manguito del lado bajo (azul) al conector de líquidos de un depósito de origen lleno.
2. Abra la válvula de panel del lado bajo (azul) en el panel de control de la máquina.
3. Sitúe el depósito de origen de tal forma que el refrigerante líquido llegue a la conexión. Abra la válvula del depósito de origen.
4. Seleccione DEPÓS. LLENO en el Menú de configuración. La máquina muestra:

DEPÓSITO LLENO	
CANT. LLENADO: XX.XYY	
CARGABLE: XX.XXYY	
RECUPERABLE: XX.XXYY	
INICIO	SALIR

5. Introduzca la cantidad a recuperar y pulse F1. Añada al menos 3,6 kg de refrigerante para asegurar que haya suficiente para la carga.
6. La máquina comienza a llenar el ISV y se detiene automáticamente cuando se alcanza el nivel prefijado de llenado del depósito. Para detener el llenado del depósito antes de alcanzar el nivel prefijado, pulse F2 para hacer una pausa. En la pantalla aparecerá una opción para salir.
7. Una vez terminado, cierre la válvula del acoplador del manguito de servicio y la válvula de panel en el panel de control. Retire el manguito del depósito de origen.

Mantenimiento

Mantenimiento de filtro

El filtro está diseñado para atrapar el ácido y las partículas y para eliminar la humedad del refrigerante. Para cumplir el imperativo de humedad adecuada y eliminación de los contaminantes, el filtro debe cambiarse tras haber filtrado 150 kg (331 libras) de refrigerante.

La máquina avisa cuando se han alcanzado los 125 kg (276 libras) de la capacidad del filtro; cuando se llega a los 150 kg (331 libras) la máquina se apaga y deja de funcionar.

Comprobación de la capacidad restante del filtro

1. Seleccione MANTENIMIENTO DE FILTRO en el Menú de configuración o cuando la máquina lo indique. La máquina muestra:

CAPACIDAD RESTANTE:
XXX.XYY
¿SUSTITUIR EL FILTRO YA?

La máquina muestra la cantidad de capacidad que le queda al filtro hasta que la máquina se apague.

2. Pulse F1 para cambiar el filtro; pulse F2 para volver a utilizar la máquina.

 **ADVERTENCIA:** Los componentes de la máquina están a alta presión. Para evitar lesiones personales, cambie el filtro solo cuando la máquina lo indique.

Sustitución del filtro

1. Si se seleccionó F1 para cambiar el filtro, la máquina solicita que se introduzca el código del nuevo filtro.

INTR. NÚM. SERIE DE FILTRO NUEVO

Use el teclado para introducir el número de serie que aparece en el nuevo filtro y pulse F1 para continuar.

Nota: Si aparece NÚMERO DE SERIE NO VÁLIDO, es que el número de serie no se ha introducido correctamente o que el filtro ya se ha utilizado en esta máquina.



ADVERTENCIA: Para evitar lesiones personales al trabajar con refrigerante, lea y siga las instrucciones y advertencias de este manual y utilice equipos de protección como gafas y guantes.



Precaución: para evitar daños en el equipo, utilice solo filtros originales n.º de ref. 34728 de Robinair en esta máquina. Todas las pruebas de funcionamiento y afirmaciones se basan en el uso de este filtro específico.

Mantenimiento de filtro (cont.)

2. La máquina borra el filtro anterior y luego muestra:

DESCONECTE ALIM. Y CAMBIE EL FILTRO

Apague la máquina. Retire la botella de aceite. Extraiga los cuatro tornillos que sujetan la cubierta. Consulte la figura 11.

3. Cuelgue la cubierta en la parte posterior de la máquina como se muestra en la figura 12.
4. Quite el filtro girando a la izquierda las tuercas de la tubería de cobre conectada. Desconecte las tuercas del filtro y separe el tubo.
5. Afloje el tornillo de fijación del collarín de bloqueo del filtro. Saque el filtro del collarín de bloqueo.
6. Compruebe que las juntas tóricas de la tubería de cobre estén lubricadas y en buenas condiciones. (Las juntas tóricas vienen lubricadas con aceite ISO6743-3 DVA / DVC.)
7. Instale el nuevo filtro en el collarín de bloqueo y apriete el tornillo de sujeción del mismo. El filtro DEBE orientarse de forma que la dirección del flujo sea hacia abajo, de arriba a abajo.
8. Conecte la tubería de cobre superior e inferior al filtro. Apriete las tuercas de fijación a 20 N•m.
9. Recicle el filtro que se retiró de la máquina de acuerdo con la legislación aplicable.

Extraiga los cuatro tornillos que sujetan la cubierta.

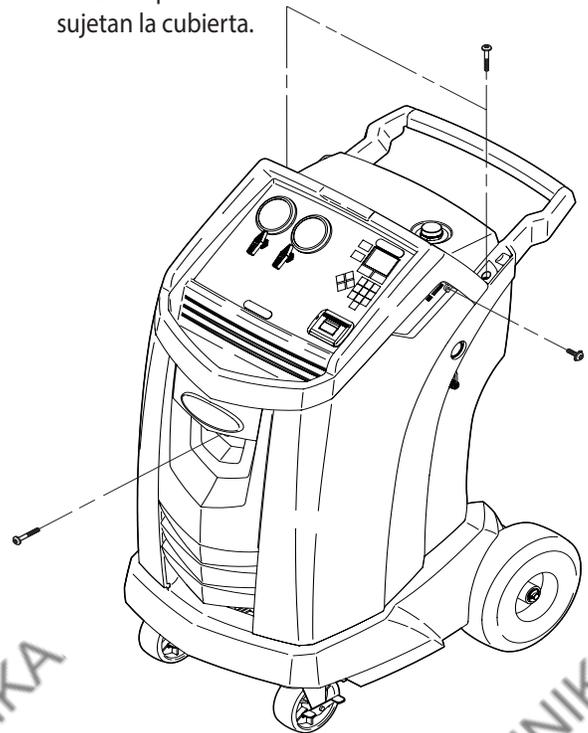


Figura 11

Cuelgue la cubierta aquí

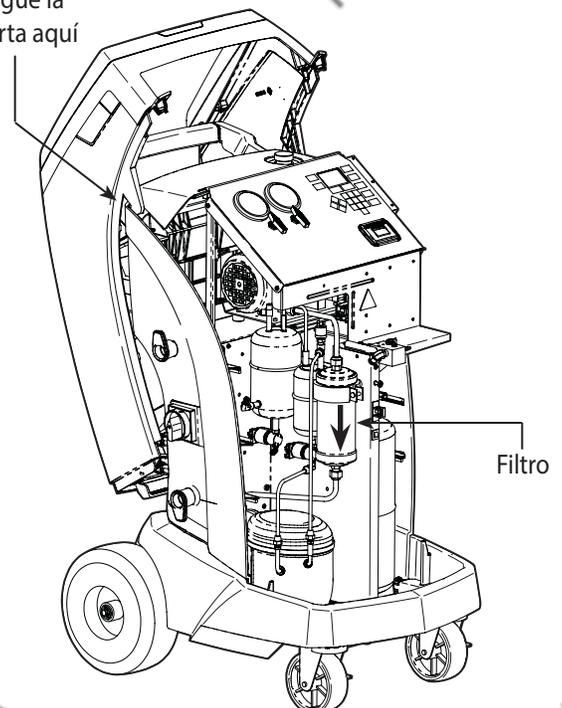


Figura 12

Mantenimiento

Control de calibración

Esta función se utiliza para garantizar que la báscula interna de la máquina esté siempre calibrada. Durante esta prueba, utilice únicamente el peso de calibración que se suministra con la máquina.

1. Consulte la figura 13 y verifique que el imán de la parte inferior de la máquina esté limpio.
2. Seleccione CONTROL DE CALIBRACIÓN en el Menú de configuración. La máquina muestra:

COLOQUE EL PESO DE CALIBRACIÓN EN EL IMÁN
SITUADO EN LA BASE DE LA MÁQUINA

3. Fije el peso de calibración al imán en la parte inferior de la máquina. Seleccione F1 para continuar.
4. La máquina muestra:

RETIRE EL PESO DE CALIBRACIÓN DEL IMÁN
SITUADO EN LA BASE DE LA MÁQUINA

Retire el peso de calibración del imán. Seleccione F1 para continuar.

- Si la pantalla muestra:

CALIB. SUPERADA

la báscula está calibrada. Pulse F2 para volver al Menú de configuración.

- Si la pantalla muestra:

FALLO DE CALIBRACIÓN

la báscula no está calibrada. Puede pulsar F1 de nuevo para volver a intentarlo. Si la calibración sigue fallando, póngase en contacto con un centro de servicio Robinair autorizado.

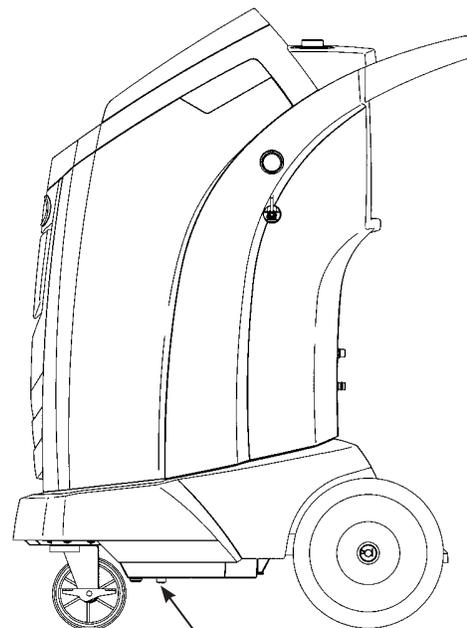


Figura 13

Cambio de aceite de la bomba de vacío

1. Seleccione MANTENIMIENTO DE BOMBA en el Menú de configuración o cuando se le solicite. La pantalla muestra el tiempo que la bomba de vacío ha funcionado desde el último cambio de aceite.

DURAC. REST. DE ACEITE
XXX: XX (HHH: MM)
¿CAMBIAR ACEITE?

2. Pulse F1 para cambiar el aceite de la bomba de vacío. Si la máquina muestra:

CALENTANDO ACEITE,
ESPERE

deje que la bomba de vacío funcione dos minutos para calentar el aceite. Si el aceite ya está caliente, la pantalla muestra:

DRENAR ACEITE USADO DE BOMBA Y CAMBIAR
POR 150 ML DE ACEITE NUEVO

3. DESPACIO, abra el tapón de llenado de aceite para verificar que no haya presión en la máquina. A continuación, retire el tapón con cuidado. Consulte la figura 14.
4. Retire la tapa del conector de drenaje de aceite y drene el aceite en un recipiente adecuado para su eliminación. Vuelva a colocar el tapón y cierre herméticamente. Pulse F1 para continuar.
5. La máquina muestra:

LLENE LA BOMBA HASTA CENTRO DE MIRILLA CON
ACEITE NUEVO

Añada despacio el aceite a la bomba de vacío a través de la toma de llenado hasta que el aceite alcance el centro de la mirilla. Instale el tapón de la toma de llenado de aceite y cierre herméticamente. Pulse F1 para volver a la pantalla Mantenimiento de bomba.

! PRECAUCIÓN: Para evitar lesiones personales, NO haga funcionar la máquina en ningún momento sin el tapón de la toma de llenado puesto, ya que la bomba de vacío se presuriza durante el funcionamiento normal.

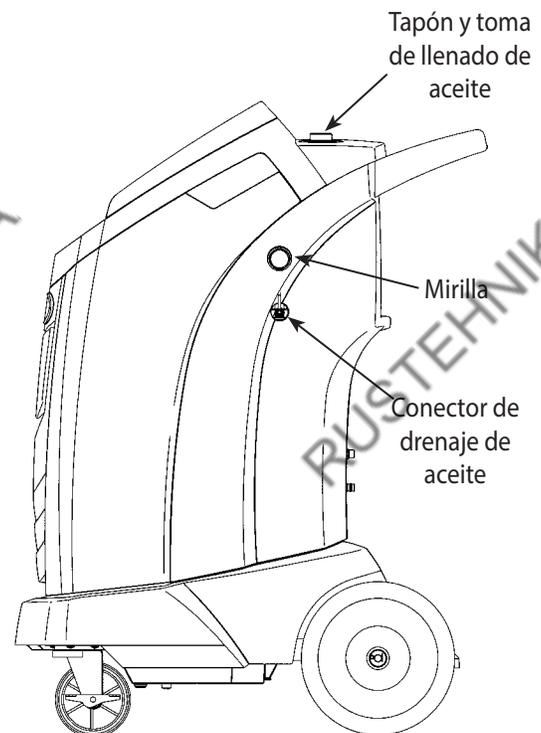


Figura 14

Precaución: es responsabilidad del usuario controlar el nivel y la claridad del aceite de la bomba de vacío. Si el aceite contaminado no se extrae de la bomba de vacío y se reemplaza, la bomba de vacío quedará dañada permanentemente.

Mantenimiento

Control de fugas

Para asegurar un funcionamiento seguro, respetuoso con el medio ambiente y económico, la unidad realiza una prueba automática controlada por software a intervalos regulares (cada 10 días). Durante esta prueba, los componentes que contienen refrigerante se presurizan y controlan en busca de una caída de presión, que podría indicar una fuga.

1. En el arranque, si se requiere un control de fugas, la máquina muestra:

CONECTE MANG. A TOMAS ALMAC.
Y ABRA LAS VÁLVULAS

Conecte los acopladores de los manguitos de servicio a las tomas de almacenamiento en la parte trasera de la máquina. Abra los acopladores girando los collarines a la derecha.

2. Abra las válvulas del lado alto y lado bajo en el panel de control de la máquina. Pulse F1 para comenzar. La máquina realiza una recuperación automática y muestra:

RECUP. EN CURSO

3. La máquina realiza una prueba de vacío de 30 segundos y muestra:

REVISIÓN DE VACÍO EN CURSO

Si la prueba de vacío falla, la máquina le pedirá que verifique que no haya fugas.

4. Una vez que la máquina pase la prueba de vacío, se aplica una presión controlada a sus componentes internos. La máquina muestra:

REVISIÓN DE PRESIÓN EN CURSO

La presión se mantiene cinco minutos y se controlan las caídas. En la pantalla se realiza una cuenta atrás en minutos y segundos.

- Si se detecta una caída de presión aceptable, la máquina recupera refrigerante y vuelve al Menú de configuración, lista para el funcionamiento normal.
- Si se detecta una caída de presión inaceptable, la máquina le solicitará que verifique que no haya fugas. Lleve la máquina a un centro de servicio Robinair autorizado para su reparación.

Nota:

- Control de fugas también puede seleccionarse en cualquier momento desde el Menú de configuración.
- Si usted se niega a ejecutar el Control de fugas cuando se le indique, la máquina continuará solicitándole la prueba en cada arranque hasta que la complete.



ADVERTENCIA: Para evitar lesiones personales si el equipo requiere transporte a un centro de servicio Robinair local, siga la normativa local sobre transporte de aparatos que contengan R1234yf.

Ajustar inyección de aceite

La funcionalidad de la inyección de aceite en esta máquina es automática y basada en el tiempo. Hay muchas variables que pueden afectar a la precisión.

Si está utilizando aceites de muy alta o baja viscosidad, o si se está trabajando a temperaturas ambiente muy altas o muy bajas, es posible que sea necesario un ajuste del factor de corrección de la inyección de aceite para que la máquina produzca inyecciones de aceite precisas.

La corrección predeterminada se define en 0,25 y se basa en una viscosidad de aceite PAG100 y en una temperatura ambiente de 25 °C.

1. Para ajustar el factor de corrección de Inyección aceite, seleccione AJUSTAR INYEC. ACEITE en el Menú de configuración. La máquina muestra:

X.XX AUMENTE PARA INY. MÁS ACEITE O REDUZCA PARA INY. MENOS ACEITE
--

2. Con las teclas de flecha y el teclado numérico, introduzca el factor de corrección deseado. Son valores aceptables los números comprendidos entre 0,01 y 1,00.
 - Un factor de corrección de 1,00 prolonga la duración de la inyección de aceite, aumentando así la cantidad de aceite inyectado.
 - Un factor de corrección de 0,01 acorta la duración de la inyección de aceite, disminuyendo la cantidad de aceite inyectado.
3. Pulse F1 para guardar el valor; pulse F2 para volver al Menú de configuración sin guardar el valor.

PRECAUCIÓN: para evitar incompatibilidades químicas con los componentes internos de la máquina, utilice únicamente aceites aprobados por el fabricante del vehículo. Los problemas derivados de la utilización de aceites no aprobados cancelarán la garantía.

Mantenimiento

Editar cabeceras de impresión

Para realizar cambios en el texto que aparece en esta pantalla:

1. En el Menú de configuración, seleccione Editar cab. impresión.
2. El cursor se encuentra en el primer campo. Actualice el texto con las flechas y la interfaz multitáctil del teclado numérico:
 - La flecha IZQUIERDA actúa como tecla de retroceso.
 - La flecha DERECHA mueve el cursor a la derecha.
 - La tecla CERO (0) actúa como barra espaciadora.
 - Las teclas ARRIBA y ABAJO permiten el desplazamiento entre las filas.
3. Pulse F1 para guardar los cambios y volver al Menú de configuración; pulse F2 para volver a la cabecera anterior y salir al Menú de configuración.

Sustitución del papel de la impresora (solo AC1234-3P)

Para instalar un nuevo rollo de papel en la impresora:

1. Retire la tapa de la impresora tirando de la lengüeta como se muestra en la figura 15.
2. Quite el núcleo del papel.
3. Instale el nuevo rollo de papel con el extremo en la parte superior del rollo.
4. Monte la cubierta en la impresora con el borde delantero del papel sobre el rodillo.

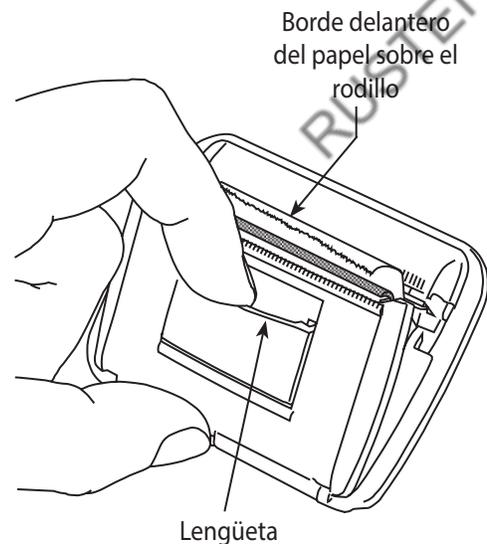


Figura 15

Instalación de una impresora

Se puede comprar e instalar una impresora en cualquier modelo que no contenga una. Todos los modelos de la máquina ya contienen cableado de conexión para una impresora que está listo para usar. Para instalar una impresora:

1. APAGUE la máquina y desconéctela de su fuente de alimentación.
2. Extraiga los cuatro tornillos que sujetan la cubierta. Consulte la figura 11.
3. Cuelgue la cubierta en la parte posterior de la máquina como se muestra en la figura 12.
4. Retire los dos tornillos de las esquinas superiores del panel de control, permitiendo que el panel de control bascule hacia delante.
5. El cableado de conexión de la impresora se fija a la parte posterior de la tapa que está en el espacio reservado para ubicar la impresora. Retire la brida de plástico, liberando el cableado. El cableado se utilizará en un paso posterior.
6. Retire la tapa del espacio reservado para ubicar la impresora presionando las lengüetas de la tapa desde la parte posterior del panel de control y empujando la tapa hasta sacarla del panel.
7. Extraiga los dos brazos de bloqueo de la impresora insertando la cara de un destornillador de cabeza plana bajo cada lengüeta próxima a la parte trasera de su brazo de bloqueo. Haga palanca en la pestaña hacia afuera mientras desliza y aleja el brazo entero de la impresora.
8. Coloque la impresora en el espacio reservado del panel de control. Presione la cara de la impresora hasta enrasarla con el panel, orientada con la salida de papel en la parte superior de la impresora, como se muestra en la figura 15.
9. Vuelva a colocar los brazos de bloqueo de la impresora desde el interior del panel de control. Empújelos hacia adelante hasta que entren firmemente en contacto con la cara interna del panel de control.
10. Localice el extremo libre del cableado de conexión de la impresora que se separó de la tapa en el paso 5.
11. Fije los dos conectores libres a los conectores apropiados en la parte posterior de la impresora.
12. Gire el panel de control en su lugar y fíjelo con los dos tornillos que retiró en el paso 4.
13. Monte la cubierta de nuevo sobre la máquina e instale los cuatro tornillos extraídos en el paso 2.

La impresora ya está lista para su uso.

Recambios y Glosario

Recambios

Componente	N.º ref. del recambio
Peso de calibración	SP01100095
Filtro	34728
Botella de drenaje de aceite	SP01100162
Botella de inyección de aceite	SP01100025
Impresora	SP00100099
Papel de impresora (1 rollo)	SP00100087
Acoplador de servicio LP	18122
Acoplador de servicio HP	18123
Manguito de servicio (lado bajo, azul)	70123
Manguito de servicio (lado alto, rojo)	70124
Adaptador de depósito (1234 <22 HW)	SP01100352
Adaptador de depósito (1234 DNT)	SP01100353
Adaptador de depósito (1234 >22 HW)	SP01100354
Aceite de bomba de vacío (600 ml)	5604052
Aceite de bomba de vacío (1 pinta)	13119
Cubierta de polvo de vinilo (opcional)	SP01100250



PRECAUCIÓN: Para evitar lesiones personales, utilice solamente los recambios indicados en esta lista. Robinair ha probado y seleccionado cuidadosamente los artículos que se encuentran en esta lista de recambios.

Glosario

Sistema de A/A: El sistema de aire acondicionado del vehículo al que se realiza mantenimiento.

Evacuación: La humedad y otros gases no condensables se eliminan de un sistema de A/A gracias a una bomba de vacío.

Depósito de almacenamiento interno (ISV): El depósito rellenable de almacenamiento de refrigerante diseñado específicamente para esta máquina: tiene 8.5 kg (18,7 libras) de capacidad.

Prueba de fuga (vacío): Los componentes que contienen refrigerante se evacúan y controlan por si hubiera aumento de presión, lo que podría indicar una fuga.

Máquina: Modelo n.º AC1234-3 o AC1234-3P.

Control de fugas: Los componentes que contienen refrigerante están presurizados y se controlan por si hubiera una caída de presión, lo que podría indicar una fuga.

Recuperación / reciclado: El refrigerante se recupera de un sistema de A/A, se filtra y se almacena en el ISV.

Refrigerante: R1234yf.

Mensajes de solución de problemas

Indicación	Causa	Solución
FALLO DE CALIBRACIÓN	La báscula interna no está calibrada.	Pulse F1 para volver a intentar el CONTROL DE CALIBRACIÓN. Si la calibración sigue fallando, salga de la prueba y llame a un centro de servicio autorizado Robinair para que efectúe su reparación.
¡CARGA ATASCADA! REVISE CONEXIONES Y VÁLVULAS	El refrigerante se ha atascado en el ISV o en la máquina.	Verifique que las conexiones sean seguras y que las válvulas estén en posición correcta.
BASE DE DATOS NO INSTALADA	La máquina no se suministra con la base de datos instalada.	Póngase en contacto con un centro de servicio autorizado Robinair para obtener más información.
EXCESO PESO DEPÓSITO	Circuito de seguridad por exceso de llenado activado. La máquina se bloquea debido a un exceso de refrigerante en el ISV.	Póngase en contacto con un centro de servicio autorizado Robinair para obtener más información.
FILTRO AGOTADO PESO DE FILTRO XXX.XYY ¿SUSTITUIR EL FILTRO YA?	Se han recuperado 150 kg (331 libras) o más de refrigerante desde el último cambio de filtro.	Consulte la sección Mantenimiento de filtro de este manual para ver las instrucciones sobre el cambio de aceite de la bomba de vacío.
ALTA PRESIÓN EN ISV	La máquina está bloqueada porque la presión en el ISV es demasiado alta, posiblemente debido a una temperatura excesivamente alta en el depósito.	Deje que la máquina se enfríe antes de realizar un servicio adicional de A/A. Si el problema continúa, llame a un centro de servicio autorizado Robinair para obtener más información.
IDENTIFIQUE REFRIGERANTE. FALLO PRUEBA DE PUREZA	El refrigerante probado no es R1234yf o está contaminado.	No recupere refrigerante contaminado en el AC1234-3(P). Emplee una máquina externa de recuperación de refrigerante específica para refrigerante contaminado.

Mensajes de solución de problemas

Indicación	Causa	Solución
PRESIÓN ENTRADA MUY ALTA PARA VACÍO	Antes de que la máquina comience a vaciar el sistema de A/A, compruebe si hay presión en el sistema que pueda dañar la bomba de vacío. En este caso, la presión del sistema está por encima de 0,35 bares manométricos.	Pulse F1. Consulte la sección RECUPERACIÓN de este manual para recuperar el refrigerante antes de continuar.
FALLO DE COMUNICACIÓN IOE	Error de comunicación con panel de relés.	Restablezca el panel de relés pulsando F2. Si el problema continúa, llame a un centro de servicio autorizado Robinair para obtener más información.
REFRIGERANTE INSUFICIENTE. SE REQUIEREN 6 KG PARA LAVAR SISTEMA	No hay suficiente refrigerante en el ISV para realizar un lavado del sistema.	Consulte Depósito Lleno en la sección Mantenimiento de este manual.
REFRIGERANTE INSUFICIENTE PARA CARGA SELECCIONADA: XX.XYYY DISPONIBLE: XX.XYYY	Tras la introducción del peso deseado, si el proceso de carga dejara menos de 0,91 kg (2 libras) de refrigerante en el ISV, la función de carga no se iniciará.	Consulte Depósito Lleno en la sección Mantenimiento de este manual.
CÓDIGO NO VÁLIDO	El código de activación introducido en la máquina no es correcto.	Verifique que el código de activación se escriba exactamente como se recibió. Se distinguen mayúsculas y minúsculas.
NÚMERO DE SERIE NO VÁLIDO.	El número de serie introducido en la máquina no es correcto.	Verifique que el número de serie introducido coincida con el número de serie del filtro. Compruebe que el filtro no se haya utilizado previamente en la máquina.
FALLO PRUEBA DE FUGAS	Hay una fuga en el sistema de A/A del vehículo.	Salga de la prueba y repare el sistema de A/A del vehículo.

Mensajes de solución de problemas

Indicación	Causa	Solución
SIN PRESIÓN EN ENTRADAS, REVISE CONEXIONES. ¿RECUPERAR DE TODOS MODOS?	La presión del sistema es inferior a 0,35 bar manométricos.	Verifique que los manguitos del lado alto (rojo) y del lado bajo (azul) estén conectados y las válvulas de los acopladores, abiertas. Pulse F1 para recuperar; pulse F2 para saltarse LA RECUPERACIÓN y continuar con el VACÍO.
DRENAJE ACEITE DETENIDO	La presión del acumulador no logró elevarse por encima de 1,10 bar en el minuto anterior a que se produzca un supuesto drenaje de aceite.	Se requiere una presión adecuada dentro del acumulador para forzar a que el aceite, que se ha separado del refrigerante, salga del sistema. Pulse F1 para volver a intentarlo; pulse F2 para salir.
DURACIÓN RESTO DE ACEITE XX:XXX ¿CAMBIAR ACEITE?	La pantalla muestra la capacidad restante del filtro hasta que la máquina se apaga.	Consulte la sección Mantenimiento de filtro de este manual para ver las instrucciones sobre el cambio de aceite de la bomba de vacío.
FUERA DE LÍMITES PRESIÓN ACUMULADOR	El transductor de presión del acumulador no está leyendo la presión correctamente.	Salga de la prueba actual y póngase en contacto con un centro de servicio autorizado Robinair para obtener más información.
FUERA DE LÍMITES MASA DE AIRE	El sensor de masa de aire no está leyendo correctamente dicha masa.	Salga de la prueba actual y póngase en contacto con un centro de servicio autorizado Robinair para obtener más información.
FUERA DE LÍMITES PRESIÓN LA	El transductor de presión del lado alto no está leyendo la presión correctamente.	Salga de la prueba actual y póngase en contacto con un centro de servicio autorizado Robinair para obtener más información.
FUERA DE LÍMITES PRESIÓN ISV	El transductor de presión del depósito de almacenamiento interno no está leyendo la presión correctamente.	Salga de la prueba actual y póngase en contacto con un centro de servicio autorizado Robinair para obtener más información.

Mensajes de solución de problemas

Indicación	Causa	Solución
FUERA DE LÍMITES TEMPERATURA ISV	El sensor de temperatura del depósito de almacenamiento interno no está leyendo correctamente la temperatura.	Salga de la prueba actual y póngase en contacto con un centro de servicio autorizado Robinair para obtener más información.
FUERA DE LÍMITES PRESIÓN LADO BAJO	El transductor de presión del lado bajo no está leyendo la presión correctamente.	Salga de la prueba actual y póngase en contacto con un centro de servicio autorizado Robinair para obtener más información.
FALLO PRUEBA DE PRESIÓN COMPRUEBE FUGAS.	Hay una fuga en el sistema de A/A del vehículo.	Salga de la prueba y repare el sistema de A/A del vehículo.
NÚMERO DE SERIE YA UTILIZADO	El número de serie introducido en la máquina no es correcto.	El filtro ya se ha utilizado en esta máquina. Consiga un nuevo filtro original Robinair, n.º de ref. 34728.
DEPÓSITO ORIGEN VACÍO	El refrigerante no se puede transferir al ISV porque el depósito de origen está vacío.	Salga de la prueba actual y sustituya el depósito de origen.
DEPÓS. LLENO. EXTRAIGA REFRIG. ANTES DE CONTINUAR	El ISV está demasiado lleno para recuperar el refrigerante adicional.	Lleve a cabo un proceso de carga para extraer el refrigerante del ISV antes de cualquier intento de recuperación adicional.
EXPIRÓ PERIODO PRUEBA. DEBE ACTIV. UNIDAD PARA CONTINUAR	En caso de no registrar ni activar la máquina en un plazo de 30 días tras la puesta en marcha inicial, la máquina se bloqueará y dejará de funcionar.	Pulse F1 y consulte la sección Activ. de unidad de este manual para registrar la máquina.
FALLO PRUEBA DE VACÍO. COMPRUEBE FUGAS.	Hay una fuga en el sistema de A/A del vehículo.	Salga de la prueba y repare el sistema de A/A del vehículo.

Almacenamiento y transporte del equipo

Almacenamiento

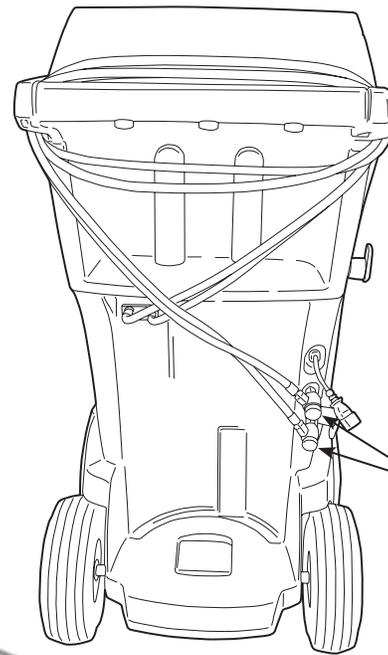
Nunca deje la máquina conectada si no tiene previsto utilizarla de inmediato.

1. Desconecte la máquina de su fuente de alimentación.
2. Enrolle los manguitos de servicio alrededor del asa dos veces y conéctelos a las tomas de almacenamiento. Consulte la figura 16.
3. Guarde la máquina en un lugar seco y estable, lejos de llamas y superficies calientes. La temperatura de la zona de almacenamiento debe oscilar entre -25°C y 60°C .
4. Bloquee las ruedas delanteras.

Transporte del equipo



ADVERTENCIA: Para evitar lesiones personales si el equipo requiere transporte a un centro de servicio Robinair local, siga la normativa local sobre transporte de aparatos que contengan R1234yf.



Acopladores de manguitos conectados a las tomas de almacenamiento.

Figura 16

Desecho del equipo

Desecho del equipo



Al final de su vida útil, deseche la máquina n.º AC1234-3(P) de Robinair según la legislación aplicable.

- La administración pública y los productores de equipos eléctricos/electrónicos (AEE) se comprometen a facilitar los procesos de reutilización y recuperación de equipos eléctricos/electrónicos usados a través de la organización de actividades de recolección y de la utilización de mecanismos de planificación adecuados.
- De acuerdo con la directiva europea WEEE 2002/96/CE, se encuentran disponibles lugares especiales para la recogida de equipos eléctricos/electrónicos.
- No se deshaga de este equipo como si fuera un residuo sólido urbano diverso. Disponga que lo recojan por separado. El desecho no autorizado de los equipos eléctricos/electrónicos usados lo castiga la ley con las penas adecuadas.
- La reutilización y el correcto reciclado de los equipos eléctricos/electrónicos (EEE) son necesarios para la protección del medio ambiente y el bienestar de los seres humanos.

Desecho de materiales reciclados

Es responsabilidad del usuario determinar si un material es un residuo peligroso en el momento de desecharlo. El usuario debe garantizar el cumplimiento de todas las leyes y reglamentos aplicables.

1. Entregue el refrigerante recuperado de los sistemas de A/A a los proveedores de gas para su reciclado o eliminación.
2. Entregue los lubricantes extraídos de los sistemas de A/A a los centros de recogida de aceites usados.
3. Revise las leyes de su jurisdicción a fin de determinar los procedimientos de eliminación correctos del aceite de la bomba.

Desecho de la máquina

1. Separe y ventile el gas del circuito de la máquina. Descargue completamente el depósito de refrigerante de acuerdo con la normativa vigente aplicable.
2. Entregue la máquina a un centro de eliminación adecuado.

Desecho de las baterías



Al final de su vida útil, deseche las baterías conforme a la normativa vigente aplicable. Las baterías deben reciclarse o desecharse correctamente. No tire las pilas como si fueran residuos normales.



Para evitar lesiones personales, no arroje las pilas al fuego.

ROBINAIR®

Instruções Originais



Modelo AC1234-3
Modelo AC1234-3P

Máquina de Recuperação, Reciclagem,
Recarga para Sistemas de A/C R1234yf



Descrição: Máquina de Recuperação, Reciclagem, Recarga para utilização com sistemas de ar condicionado equipados R1234yf.

INFORMAÇÕES DO PRODUTO

Guarde o número de série e o ano de fabrico desta unidade para consulta futura. Consulte a placa de identificação do produto na unidade para obter informações.

AC1234-3

Número de série: _____ Ano de Fabrico: _____

TERMO DE RESPONSABILIDADE: As informações, ilustrações e especificações contidas neste manual baseiam-se nas informações mais recentes disponíveis aquando da publicação. Reserva-se o direito de fazer alterações em qualquer altura sem obrigação de notificar nenhuma pessoa ou organização dessas revisões ou alterações. Mais, a ROBINAIR não será responsável por erros contidos no presente ou por danos acidentais ou consequenciais (incluindo lucros perdidos) em relação ao fornecimento, desempenho ou uso deste material. Se necessário, obtenha informações adicionais sobre higiene e segurança junto das agências governamentais adequadas e dos fabricantes de veículos, refrigerantes e lubrificantes.

Precauções de Segurança	2
Introdução	
Especificações Técnicas.....	5
Características do AC1234-3(P)	6
Funções do Painel de Controlo	7
Funções do Menu de Configuração	8
Configuração Inicial	
Desembalar a Máquina.....	9
Desembalar o Kit de Acessórios.....	9
Ligar a Máquina.....	9
Seleccção do Idioma	10
Unidades de Medida	10
Definir Data e Hora.....	10
Editar Impressão de Cabeçalho	10
Aspiração de Serviço	11
Enchimento do Tanque.....	11
Activação da Unidade	13
Instruções de Funcionamento	
Inserir Dados de Serviço.....	14
Recuperação.....	15
Aspiração.....	17
Lavagem interna de Mangueiras.....	18
Carga.....	19
Automático.....	20
Lavagem interna do Sistema	21
Manutenção	
Calendário.....	13
Protecção eléctrica.....	24
Trancar / Impedir acesso.....	24
Idioma de Carga	24
Enchimento do Tanque.....	25
Manutenção do Filtro	26
Verificação da Calibragem	28
Substituir Óleo da Bomba de Aspiração	29
Verificação de Fugas	30
Ajuste da injeccção de óleo.....	31
Editar Impressão de Cabeçalho	32
Substituir Papel da Impressora.....	32
Instalar uma Impressora.....	33
Peças Sobresselentes	34
Glossário	34
Mensagens de Resolução de Problemas.....	35
Armazenamento e Transporte de Equipamento	39
Eliminação de Equipamento	40

Precauções de Segurança

Explicação de Palavras de Sinalização de Segurança Usadas neste Manual

A palavra de sinalização de segurança designa o grau ou nível de gravidade de perigo.



PERIGO: Indica uma situação de perigo iminente que, se não for evitada, resultará em morte ou lesões graves.



AVISO: Indica uma potencial situação de perigo que, se não for evitada, pode resultar em morte ou ferimentos graves.



CUIDADO: Indica uma potencial situação de perigo que, se não for evitada, pode resultar em ferimentos menores ou moderados.

CUIDADO: Usada sem o símbolo de aviso de segurança indica uma situação potencialmente perigosa que, se não for evitada, poderá resultar em danos na propriedade.

Estas mensagens de segurança cobrem situações de que a Robinair está consciente. A Robinair não pode saber, avaliar e aconselhá-lo relativamente a todos os possíveis perigos. Tem de verificar quais as condições e procedimentos é que não põem em risco a sua segurança pessoal.

Explicação das Etiquetas de Segurança Usadas no AC1234-3(P)

	Leia atentamente as instruções.
	Não use ao ar livre em caso de chuva ou humidade elevada.
	Use luvas.
	Use óculos de protecção.
	Corrente alterna.
	Protecção de ligação à terra.
	Perigo de choque eléctrico.

Precauções de Segurança



AVISO: Para evitar ferimentos pessoais,



PERMITIR APENAS QUE PESSOAL QUALIFICADO OPERE A MÁQUINA. Antes de operar a máquina, leia e siga as instruções e os avisos contidos neste manual. O operador deverá estar familiarizado com sistemas de ar condicionado e refrigeração, refrigerantes e os perigos de componentes pressurizados. Se o operador não puder ler este manual, as instruções de operação e precauções de segurança devem ser lidas e discutidas na língua nativa do operador.



USE O AC1234-3(P) CONFORME INDICADO NESTE MANUAL. Usar a máquina de uma forma para a qual não for concebida irá comprometer a máquina e anulará as protecções fornecidas.



O DEPÓSITO PRESSURIZADO CONTÉM LÍQUIDO REFRIGERANTE. Não encha em excesso o recipiente de armazenamento interno (ISV) porque encher em excesso poderá causar explosões que resultem em ferimentos pessoais ou morte. Não recolha refrigerantes em recipientes que não possam ser enchidos novamente; use apenas recipientes que possam ser enchidos novamente e sejam de tipos aprovados que tenham válvulas de descarga de pressão.



AS MANGUEIRAS PODERÃO CONTER LÍQUIDO REFRIGERANTE SOB PRESSÃO. O contacto com refrigerantes poderá causar ferimentos pessoais, incluindo cegueira e pele congelada. Use equipamento de protecção, incluindo óculos e luvas. Desligue as mangueiras tendo o máximo cuidado. Assegure-se de que a fase foi concluída antes de desligar a máquina para evitar a libertação de refrigerante para a atmosfera.



NÃO RESPIRE VAPOR OU NÉVOA DE REFRIGERANTE E LUBRIFICANTE. O R1234yf reduz o oxigénio disponível para respirar, resultando em sonolência e tonturas. A exposição a concentrações elevadas de R1234yf causa asfixia, refrigerante nos olhos, nariz, garganta e pulmões e pode afectar o sistema nervoso central. Use a máquina em locais com ventilação mecânica que forneça pelo menos uma mudança de ar por hora. Se ocorrer uma descarga acidental do sistema, ventile a área de trabalho antes de retomar o serviço.

NÃO DISPERSE REFRIGERANTE PARA O AMBIENTE. Esta precaução é necessária para evitar a presença possível de refrigerante no ambiente de trabalho.



PARA REDUZIR O RISCO DE INCÊNDIO, não use a máquina perto de recipientes de gasolina derramados ou abertos ou outras substâncias inflamáveis.

PARA REDUZIR O RISCO DE INCÊNDIO, não use uma extensão. Uma extensão de cabo poderá sobreaquecer e provocar um incêndio. Se tiver mesmo de usar uma extensão, use um cabo o mais curto possível com um tamanho mínimo de 14 AWG.

PARA REDUZIR O RISCO DE INCÊNDIO, não use a máquina perto de chamas e superfícies quentes. O refrigerante pode-se decompor a temperaturas elevadas e pode libertar substâncias tóxicas para o ambiente que podem ser nocivas para o utilizador.

PARA REDUZIR O RISCO DE INCÊNDIO, não use a máquina em ambientes que contenham gases ou vapores explosivos.

PARA REDUZIR O RISCO DE INCÊNDIO, não use esta máquina em zonas ou áreas classificadas como ATEX. Proteja a máquina de condições que possam causar uma falha eléctrica ou outros perigos relacionados com a interacção ambiental.



NÃO USE AR COMPRIMIDO PARA FAZER TESTES DE PRESSÃO E FUGAS À MÁQUINA OU SISTEMA DE AR CONDICIONADO DE VEÍCULOS. As misturas de ar e refrigerante R1234yf podem ser inflamáveis a pressões elevadas. Estas misturas são potencialmente perigosas e poderão resultar em incêndios ou explosões, provocando ferimentos pessoais e/ou danos materiais.



A ELECTRICIDADE DE ALTA TENSÃO DENTRO DA MÁQUINA TEM UM RISCO DE CHOQUE ELÉCTRICO. A exposição poderá causar ferimentos pessoais. Desligue a corrente antes de fazer assistência à máquina.

NUNCA DEIXE A MÁQUINA LIGADA SE NÃO TIVER PROGRAMADO UM USO IMEDIATO. Desligue a fonte de alimentação antes de um longo período de inactividade ou antes de realizar uma manutenção interna. Para garantir que o pessoal não autorizado não possa trabalhar com a máquina, use a função Trancar / Impedir Acesso.

NÃO MODIFIQUE A VÁLVULA DE DESCARGA DE PRESSÃO OU AS REGULACÕES DO SISTEMA DE CONTROLO. Usar a máquina de uma forma para a qual não for concebida irá comprometer a máquina e anulará as protecções fornecidas.

Precauções de Segurança

CUIDADO: Para evitar danos no equipamento,



PARA EVITAR A CONTAMINAÇÃO CRUZADA, USE ESTA MÁQUINA APENAS COM REFRIGERANTE R1234YF. A máquina está equipada com conectores especiais para recuperar, reciclar e recarregar apenas refrigerante R1234yf. Não tente adaptar a máquina para outro refrigerante. Não misture tipos de refrigerante através de um sistema ou no mesmo recipiente; misturar refrigerantes irá causar danos na máquina e no sistema de ar condicionado de veículos.

NÃO USE ESTA MÁQUINA COM LUZ SOLAR DIRECTA. Posicione a máquina longe de fontes de calor, tais como luz solar directa que poderá originar temperaturas excessivas. O uso desta máquina em condições ambientais normais (10°C a 50°C) mantém as pressões abaixo dos limites razoáveis.



NÃO USE ESTA MÁQUINA NO EXTERIOR COM CHUVA OU HUMIDADE ELEVADA. Proteja a máquina de condições que possam causar uma falha eléctrica ou outros perigos relacionados com a interacção ambiental.

NÃO USE ESTA MÁQUINA EM ÁREAS ONDE EXISTE O RISCO DE EXPLOÇÃO.

COLOQUE A MÁQUINA NUMA SUPERFÍCIE REGULAR E POR BAIXO DE ILUMINAÇÃO SUFICIENTE. BLOQUEIE AS RODAS DIANTEIRAS E NÃO SUBMETA A MÁQUINA A VIBRAÇÕES.

Poderá obter mais informações relativamente a questões de saúde e segurança junto do fabricante do refrigerante.

Dispositivos de protecção

O Robinair N.º AC1234-8 está equipado com os seguintes dispositivos de protecção:

- Válvulas de sobrepressão.
- Um comutador de pressão máxima para o compressor quando sente uma pressão excessiva.



AVISO: Violar estes dispositivos de protecção poderá resultar em ferimentos graves.

Teste de Depósito de Refrigerante

Os registos oficiais e testes recorrentes necessários para instrumentos pressurizados são regidos por leis e/ou regulamentos nacionais, dependendo do país onde o depósito de refrigerante é usado. O gestor de sistema é responsável pelo cumprimento de leis, regulamentos e regras técnicas. Durante a operação normal, os depósitos de refrigerante não precisam de manutenção. Consulte a secção de Manutenção deste manual para mais informações.

O Robinair N.º AC1234-8 é usado em veículos equipados com R1234yf e está concebido para ser compatível com equipamento de operação existente e procedimentos de operação standard. Esta máquina é um sistema de passagem única (i.e. o refrigerante flui por um filtro uma vez) que cumpre as especificações para refrigerante reciclado. Siga os procedimentos de operação recomendados para a contenção de R1234yf.

Nota: Os sistemas R1234yf requerem óleos especiais. Consulte o manual de operação do fabricante do sistema de A/C para ver as especificações de óleo.

Especificações Técnicas

Compressor	1/4 HP
Dimensões	107 cm x 61 cm x 76 cm
Ecrã LCD gráfico VA 3,94 x 6,34 cm	
Filtro	150 kg
Humidade	32,2°C (90°F), 80% HR sem condensação
Manómetro	Ø 63 mm
Pressão máxima	18 bar
Ruído	<70 dB(A)
Tensão Nominal	230V, 50/60 Hz
Depósito de Óleo	355 ml
Temperatura de Operação	10°C a 50°C
Consumo de Energia	1100 VA
Deslocamento Ar Livre da Bomba	2,5 CFM (70 l/m) 50 Hz
Mangueiras de Serviço	250 cm / SAE J2888
Capacidade do Depósito	8,50 kg (18.74 lb.)
Peso	67 kg

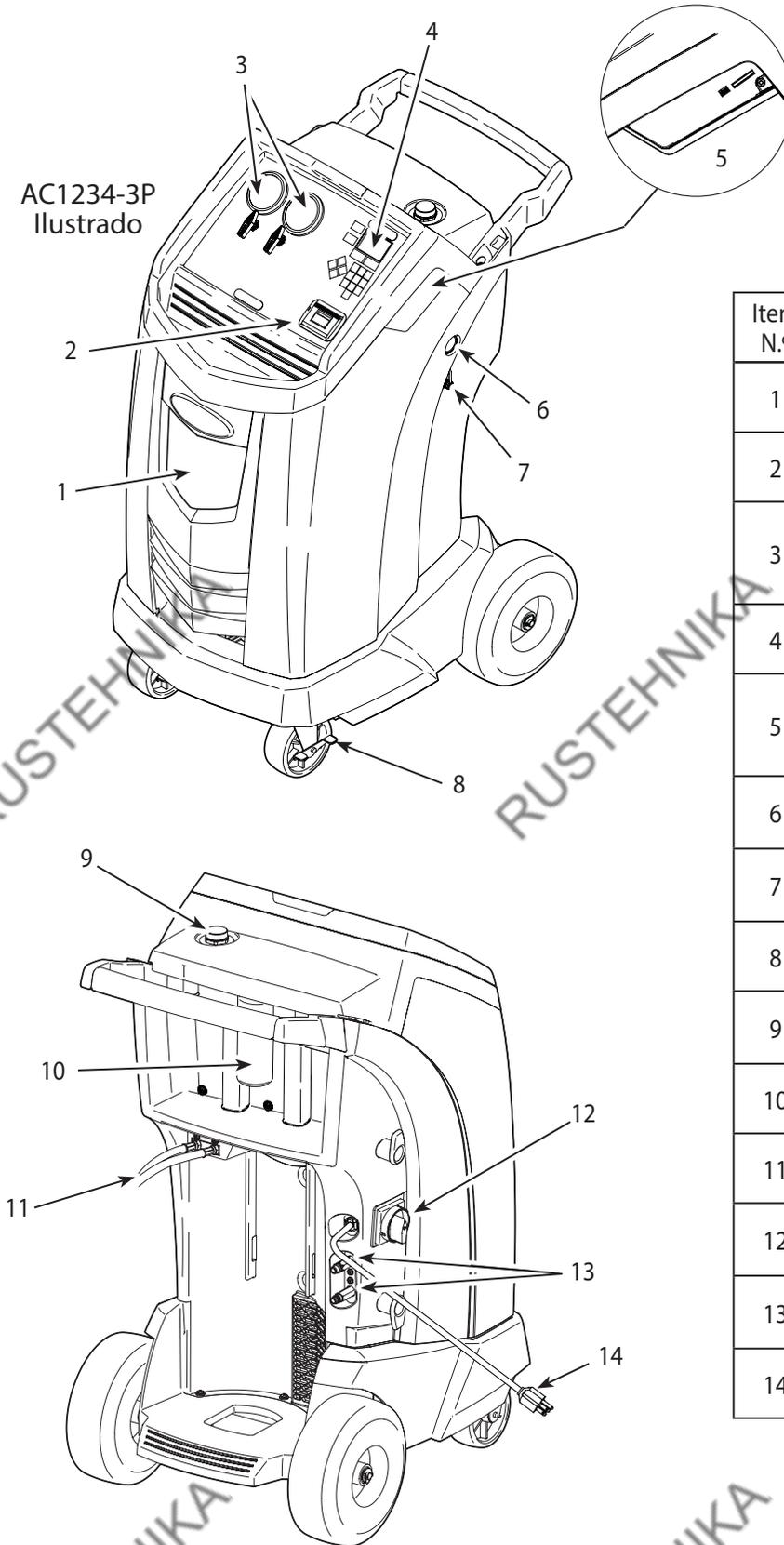


AC1234-3 ilustrado

Introdução

Características do AC1234-3(P)

AC1234-3P
Ilustrado



Item N.º	Descrição
1	Garrafa de Drenagem de Óleo
2	Impressora (apenas AC1234-3P)
3	Válvulas do Painel e Manómetros das tubagens de baixa pressão (azul) e alta pressão (vermelho)
4	Ecrã Gráfico e Teclado
5	Ligações USB e cartão SD; 2224V _{RMS} duplo isolamento em relação às linhas principais
6	Visor de Vidro de Óleo da Bomba de Aspiração
7	Adaptador de Drenagem de Óleo da Bomba de Aspiração
8	Bloqueio de Roda
9	Tampa e orifício de Enchimento de Óleo da Bomba de Aspiração
10	Garrafa de Injecção de Óleo
11	Mangueiras de Serviço
12	Interruptor de Alimentação / Trancar / Impedir Acesso
13	Orifícios de Armazenamento da Mangueira de Serviço
14	Cabo de Alimentação

Funções do Painel de Controlo

SETA PARA CIMA move a selecção de um item de menu para o item anterior; aumenta o volume áudio.

SETA PARA BAIXO move a selecção de um item de menu para o item seguinte; diminui o volume áudio.

SETA PARA A DIREITA navega para o ecrã seguinte; avança o vídeo em modo de avanço rápido.

SETA PARA A ESQUERDA navega para o ecrã anterior; retrocede o vídeo em modo de retrocesso rápido.

F1 efectua uma selecção ou responde a uma pergunta.

F2 efectua uma selecção ou responde a uma pergunta.

AJUDA apresenta informação relacionada com o ecrã actual.

MENU acede a funções e parâmetros adicionais.



AUTOMÁTICO activa um menu que ajuda o utilizador a definir uma recuperação / aspiração / teste de fugas / sequência de carga automáticos.



RECUPERAR activa a sequência para recuperar refrigerante do sistema de A/C do veículo.



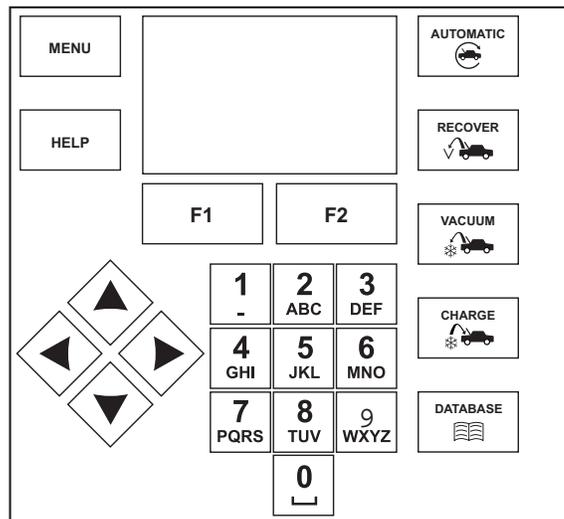
ASPIRAÇÃO puxa uma aspiração profunda no sistema de A/C do veículo para remover ar e humidade.



CARGA activa a sequência que carrega o sistema de A/C do veículo com uma quantidade programada de refrigerante.



BASE DE DADOS fornece informação relacionada com a capacidade de carga pelo modelo de veículo.



Teclado do Painel de Controlo

Introdução

Funções do Menu de Configuração

Aceda às seguintes funções pressionando a tecla de Menu e seleccionando Configuração.

Verificação da calibragem

Use para verificar a calibragem de balança interna. Consulte Verificação da Calibragem na secção de Manutenção do manual do utilizador.

Editar Impressão do Cabeçalho

Programa as informações que aparecerão na folha sempre que uma função de impressão é usada.

Manutenção do filtro

O filtro remove ácido, partículas e humidade do refrigerante. Para cumprir requisitos, é obrigatório substituir o filtro depois de terem sido filtrados 150 kg (331 lbs.) de refrigerante.

Este item de menu mostra a capacidade do filtro restante até que a máquina bloqueie e deixe de funcionar. Consulte Manutenção do Filtro na secção de Manutenção.

Mangueiras

Lava óleo residual da máquina para se preparar para a operação do próximo veículo.

Ajuste da injeção de óleo

Existem variáveis que afectam a precisão da injeção de óleo. Use este item de menu para ajustar o factor de correcção da injeção de óleo quando usar óleos de viscosidade muito alta ou muito baixa, ou se a máquina estiver a trabalhar com temperaturas muito altas ou muito baixas. Consulte Ajuste da injeção de óleo na secção Manutenção do manual para obter instruções.

Menu da produção

Para utilização exclusiva da produção Robinair.

Manutenção da bomba

Mostra a quantidade de tempo restante até ser necessária a próxima mudança de óleo da bomba de aspiração. Para o máximo desempenho da bomba de aspiração, mude o óleo da bomba de aspiração sempre que substituir o filtro. Consulte Mudar o Óleo da Bomba de Aspiração na secção Manutenção.

Gestão do Refrigerante

Mostra a quantidade de refrigerante recuperado, carregado e reabastecido (para a vida da máquina) e filtrado desde a última mudança de filtro.

Seleção do Idioma

Selecione um idioma para as mensagens no ecrã. O idioma predefinido é o Inglês.

Menu de Serviço

Para utilização exclusiva do centro de assistência Robinair.

Unidades de medida

Programa a máquina para mostrar unidades de medida em quilogramas ou libras. A medida predefinida é quilogramas.

Definir Data e Hora

Programa a máquina para a data e hora actuais.

Enxaguamento do sistema

Fornece um método de remoção do óleo forçando o líquido refrigerante através do sistema de A/C ou dos componentes de um sistema de A/C. Após o enxaguamento, o refrigerante é recuperado pela máquina e filtrado pelo circuito de reciclagem.

Informações sobre o Sistema

Mostra o nível de revisão do software na máquina.

Enchimento do Depósito

Use este item Menu de Configuração para transferir refrigerante de um depósito de origem para o ISV. O valor de enchimento do depósito pode ser ajustado para cima ou para baixo para se adaptar às necessidades do utilizador. Consulte Enchimento do Depósito na secção de Manutenção.

Activação da Unidade

Se não conseguir registar e activar a máquina 30 dias após o arranque inicial, a máquina pode bloquear e deixar de funcionar. Selecione este item do Menu de Configuração e siga as mensagens antes que o período experimental expire.

Ver Dados de Serviço

Mostra as informações do veículo que foram introduzidas no ecrã Inserir Dados de Serviço. Os veículos são visualizados por data de serviço e número VIN. A base de dados armazena 25 entradas VIN.

Configuração Inicial

Desembalar a Máquina

1. Retire as fitas da caixa.
2. Retire a dobra de cartão superior, o tabuleiro moldado e as cantoneiras.
3. Retire a manga da dobra de cartão inferior.
4. Desloque suavemente a unidade para a frente e retire-a da palete, evitando choques repentinos na máquina.



AVISO: Para evitar ferimentos pessoais enquanto trabalha com refrigerantes, leia e siga as instruções e os avisos neste manual e use equipamento de protecção tais como óculos e luvas de protecção.



Desembalar o Kit de Acessórios

Desembale o kit de acessórios da caixa e retire a embalagem de plástico.

Kit de acessórios

Peso de calibração 533 g		Adaptadores da mangueira de enchimento do depósito (3)	
Junta (3)		Bolsa de plástico contendo o manual do utilizador, o cartão de garantia a preencher e enviar por correio), Folhas de Dados de Segurança do Material e lista dos centros de assistência e uma listagem dos centros de assistência.	

Ligar a Máquina

1. Desenrole o cabo de alimentação da pega e ligue-o a uma tomada com terra e com a tensão correcta.
2. Posicione a máquina para que a ficha e o cabo de alimentação estejam facilmente acessíveis para o operador. Verifique se as aberturas de escoamento da ventoinha na parte de trás da máquina não estão obstruídas.
3. Bloqueie as rodas dianteiras.
4. Rode a alavanca de Trancar / Impedir acesso no sentido dos ponteiros do relógio (CW) para o ligar. Ver Figura 1.

A máquina lança o modo de Configuração inicial.

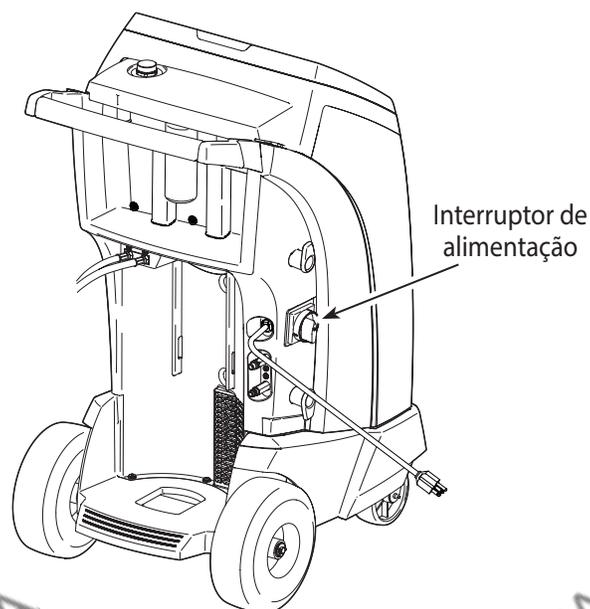


Figura 1

Configuração Inicial

Seleção do Idioma

O operador selecciona o idioma para as mensagens do ecrã. O idioma predefinido é o Inglês.

1. Use as setas PARA CIMA ou PARA BAIXO para navegar pelos idiomas disponíveis.
2. Prima F1 para definir o idioma seleccionado.

Nota: Para actualizar um idioma existente ou para adicionar um novo idioma, consulte Carregar Idioma na secção Manutenção deste manual.

Unidades de medida

O operador define o ecrã para unidades de medida. A unidade predefinida é a métrica.

1. Use as setas PARA CIMA ou PARA BAIXO para mudar entre quilogramas ou onças.
2. Prima F1 para escolher a unidade de medida apresentada.

Definir Data e Hora

Use as setas para deslocar o cursor. Use o teclado para modificar as informações apresentadas.

1. Use as setas PARA CIMA e PARA BAIXO para seleccionar o item que pretende alterar: dia, mês, ano ou hora.
2. Use uma interface multi-tap no teclado numérico para modificar as informações:
3. Prima F1 para guardar.

Editar Impressão do Cabeçalho

Esta máquina tem a capacidade de armazenar informações relativas a recuperação, aspiração, carga e enxaguamento para até 25 veículos. As informações carregadas em Editar Impressão do Cabeçalho aparecerão em cada folha. Se pretende adicionar uma impressora à sua máquina, consulte Instalação da Impressora na secção Manutenção deste manual.

1. Introduza texto usando as setas e a interface multi-tap no teclado numérico:
 - A seta PARA A ESQUERDA actua como uma tecla de retrocesso.
 - A tecla PARA A DIREITA desloca o cursor para a direita.
 - A tecla ZERO (0) actua como uma barra de espaço.
 - As teclas PARA CIMA e PARA BAIXO navegam entre as linhas.
2. Prima F1 para continuar; prima F2 para regressar ao cabeçalho anterior.

Aspiração de Serviço

Nesta altura, a máquina esvazie a sua canalização interna antes de prosseguir com a configuração.

1. Verifique no visor de vidro do nível de óleo da bomba de aspiração se o nível do óleo se encontra no centro do visor.
2. Quando lhe for pedido, ligue as mangueiras de serviço da máquina aos respectivos orifícios de armazenamento, como ilustrado na Figura 2.
3. Abra os acopladores das mangueiras de serviço rodando os anéis no sentido dos ponteiros do relógio.
4. Prima F1. A máquina realiza um esvaziamento interno da sua canalização e depois soará um alarme quando o processo estiver concluído.



Figura 2

Enchimento do Depósito

Este procedimento transfere refrigerante de um depósito de origem para o recipiente de armazenamento interno (ISV) na máquina. A capacidade máxima do ISV é de 8,5 kg. Use as setas para deslocar o cursor; use o teclado para introduzir um valor.

1. A máquina apresenta campos para a quantidade desejada de enchimento do depósito, refrigerante carregável e a quantidade de refrigerante recuperável no recipiente de armazenamento interno. Introduza a quantidade de enchimento do depósito desejada. Nota: Adicione pelo menos 3,6 kg de refrigerante para assegurar que está disponível o suficiente para carregar.
2. Ligue a mangueira de baixa pressão (azul) ao conector de líquido no depósito de origem.
3. Abra a válvula de baixa pressão (azul) no painel de controlo.
4. Abra a válvula do acoplador na mangueira rodando o anel no sentido dos ponteiros do relógio.
5. Abra a válvula do depósito de origem.
6. Posicione o depósito de origem de forma que o refrigerante líquido seja abastecido para a ligação.

Nota:

Quantidade carregável: A quantidade de refrigerante no ISV que pode ser carregada num sistema de A/C do veículo.

Quantidade recuperável: A quantidade de refrigerante adicional que pode ser recuperada no ISV.

Configuração Inicial

Enchimento do Depósito cont.

7. Prima F1 para iniciar o processo de enchimento do depósito. A máquina inicia o enchimento do recipiente de armazenamento interno (ISV). Adicione pelo menos 3,6 kg de refrigerante para assegurar que está disponível o suficiente para carregar. Este processo demora 15 – 20 minutos.
8. A máquina pára quando a quantidade designada de refrigerante tiver sido transferida para o ISV ou quando o depósito de origem estiver vazio. Siga as mensagens no ecrã.
9. Feche a válvula de baixa pressão (azul) no painel de controlo.
10. Feche a válvula do acoplador da mangueira rodando o anel no sentido contrário ao dos ponteiros do relógio.
11. Feche a válvula do depósito de origem.
12. Prima F2 para regressar ao Menu de Configuração. A máquina está preparada para operar.

Nota:

- Não é preciso calibrar a balança; vem calibrada de fábrica.
- Depois de o processo de enchimento do depósito terminar, o ecrã não apresentará a mesma quantidade que o nível de enchimento programado.

O ecrã mostra a quantidade de refrigerante que está disponível para carregar, que é aproximadamente 0,91 kg menos do que a quantidade total de refrigerante no depósito.

Activação da Unidade

Se não conseguir registar e activar a máquina 30 dias após o arranque inicial, a máquina pode bloquear e deixar de funcionar.

1. Selecciona Activação da Unidade a partir do Menu de Configuração. A máquina apresenta

XX DIAS QUE FALTAM PARA PERÍODO
EXPERIMENTAL PARA ACTIVAR UNIDADE.
ACTIVAR AGORA?

2. Prima F1 para iniciar o processo de activação. A máquina apresenta

CÓDIGO PESSOAL DO PRODUTO
XXXXXXXXXXXX
WWW.AC1234REGISTRATION.COM
PARA CÓDIGO DE ACTIVAÇÃO

3. Abra um web browser num computador pessoal e introduza o endereço web ilustrado no Passo 2.
4. Introduza o seu user name e password e entre no website. Nota: Se for um novo utilizador, clique no botão REGISTE-SE para criar um user name e password.
5. Introduza o Código Pessoal do Produto da sua máquina para receber um código de activação.
6. No AC1234-3(P), prima F1. A máquina apresenta

CÓDIGO PESSOAL DO PRODUTO
XXXXXXXXXXXX
INSERIR CÓDIGO:
XXXXXXXXXXXXXXXXXXXX

Introduza o código de activação no campo correcto.
Nota: Introduza o código exactamente como o recebeu. É obrigatório usar as maiúsculas.

7. Escreva o código de activação num papel e guarde-o num local seguro. Prima F1.
8. A máquina apresenta

ACTIVAÇÃO BEM-SUCEDIDA.

Prima F1. O AC1234-3(P) foi activado.

Inserir dados de serviço

Depois de seleccionar qualquer função de serviço, é possível inserir informações sobre o veículo e armazená-las na base de dados da máquina.

1. A máquina apresenta

INSERIR DADOS DE SERVIÇO NOVO REGISTO

2. Prima F1 para introduzir um novo registo ou navegue para seleccionar um veículo anteriormente assistido e prima F1. A máquina apresenta

INSERIR DADOS DE SERVIÇO
VIN: _____
QUILOMETRAGEM: _____
MARCA: _____
MODELO: _____

3. Use as setas para se deslocar entre as linhas e o teclado multi-tap para introduzir o texto.

As informações introduzidas neste ecrã são armazenadas por data e número de identificação do veículo (VIN). A base de dados armazena as últimas 25 entradas, com as mais recentes no topo da lista.

As informações também aparecerão em cópias de resumo de assistência se usar a máquina AC1234-3P.



Recuperar Refrigerante de um Veículo

1. Esvazie a garrafa de drenagem de óleo antes de começar uma recuperação. Retire a garrafa de drenagem de óleo da máquina puxando a garrafa a direita para baixo — não faça um movimento de torção ou oscilação. Consulte a Figura 3.
2. Ligue as mangueiras de serviço de alta pressão (vermelha) e baixa pressão (azul) ao sistema de A/C do veículo.
3. Abra as válvulas dos acopladores nas mangueiras rodando os anéis no sentido dos ponteiros do relógio.
4. Abra as válvulas do painel de alta pressão e baixa pressão no painel de controlo da máquina.
5. Prima o botão RECUPERAR no painel de controlo. Ver Figura 4.
6. Prima F1. A máquina inicia o processo de recuperação. O ruído de clicar indica que o solenóide está a abrir e a fechar — isto é normal.
7. A máquina realiza um ciclo de auto-evacuação para esvaziar qualquer refrigerante interno dos seus tubos internos.
8. Quando o sistema tiver recuperado para -45 bar (13 in/Hg), a recuperação está concluída.



AVISO: Para evitar ferimentos pessoais enquanto trabalha com refrigerantes, leia e siga as instruções e os avisos neste manual e use equipamento de protecção tais como óculos e luvas de protecção.

Figura 3

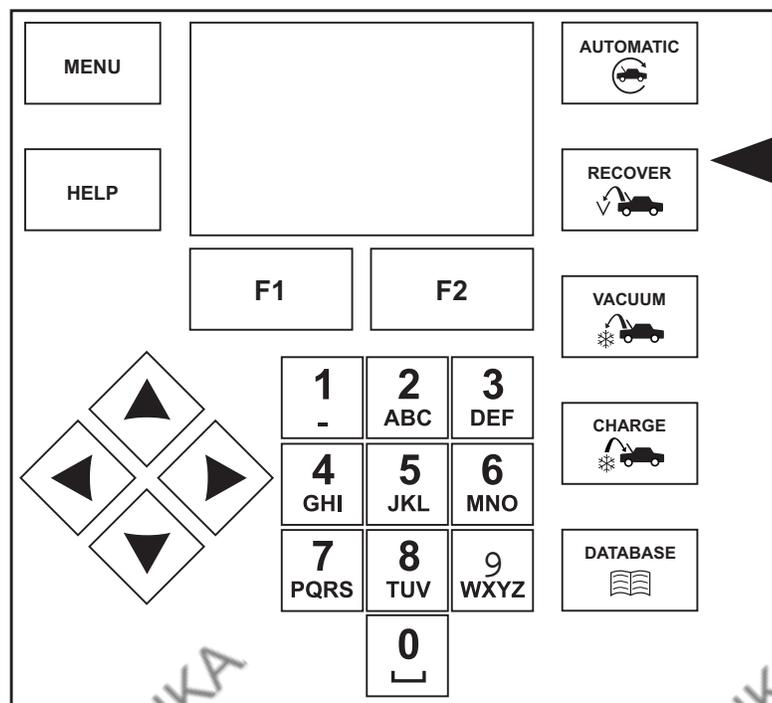
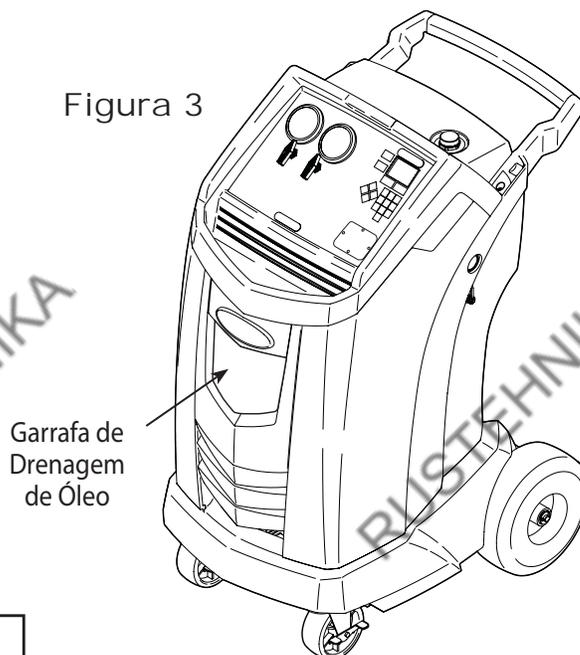


Figura 4

Recuperar Refrigerante de um Veículo continuação

9. Após a recuperação, a máquina irá realizar uma drenagem de óleo, que pode demorar até 90 segundos para concluir.
10. Depois de a drenagem do óleo terminar, aparecerá um resumo do gás recuperado e do óleo drenado. Se a sua máquina for AC1234-3P, poderá imprimir informações sobre a recuperação e diagnóstico pré-recuperação seleccionando F1. Prima F2 para regressar ao ecrã Seleccionar Acção.

Nota: O peso recuperado apresentado poderá variar dependendo das condições ambiente e não deve ser usado como indicador de exactidão da balança.

11. A quantidade de óleo que foi retirada do sistema de A/C é a quantidade de óleo novo que pode ser carregado no sistema de A/C depois da evacuação terminar.
 - Use apenas óleo novo para substituir o óleo retirado durante o processo de reciclagem.
 - Descarte o óleo usado de acordo com os regulamentos governamentais.

A recuperação está concluída.

CUIDADO: Para evitar a perda de refrigerante para a atmosfera, deixe a máquina arrefecer durante 30 minutos—com a alimentação ligada—entre recuperações quando trabalhar a temperaturas ambiente superiores a 40°C (104°F).

Para libertar automaticamente o depósito ISV de não condensáveis, é usado um limitador de pressão por purga de ar. Recuperações consecutivas a temperaturas ambiente excessivamente elevadas podem aumentar rapidamente a pressão no depósito, provocando um disparo indesejado deste limitador de pressão. Isto pode potencialmente resultar na perda excessiva de refrigerante.



Evacue o Sistema de A/C do Veículo

1. Ligue as mangueiras de serviço aos orifícios de serviço do veículo.
2. Abra as válvulas dos acopladores das mangueiras de serviço rodando os anéis no sentido dos ponteiros do relógio.
3. Abra as válvulas do painel de alta pressão e baixa pressão no painel de controlo da máquina.
4. Prima ASPIRAÇÃO.
5. Prima F1 para aceitar o tempo de evacuação predefinido de 15 minutos ou insira o tempo de aspiração desejado usando as teclas numéricas. Prima F1.

Nota: O processo de aspiração será interrompido se a pressão subir acima de .35 bar (5 psi). Recupere o refrigerante antes de prosseguir.

6. A máquina puxa uma aspiração no sistema de A/C durante a quantidade de tempo programada.
7. A máquina pára quando tiver decorrido a quantidade especificada de tempo.

Se a sua máquina for o Modelo AC1234-3P, poderá imprimir informações sobre a aspiração seleccionando F1.

Prima F2 para regressar ao ecrã Seleccionar Acção.



AVISO: Para evitar ferimentos pessoais enquanto trabalha com refrigerantes, leia e siga as instruções e os avisos neste manual e use equipamento de protecção tais como óculos e luvas de protecção.

Lavagem das Mangueiras

Se o veículo seguinte a receber assistência contiver um tipo diferente de óleo do veículo anterior que recebeu assistência, recomenda-se que as mangueiras de serviço sejam esvaziadas do óleo residual para evitar contaminação.

1. Seleccione LAVAR MANGUEIRAS a partir do Menu de Configuração. A máquina apresenta

LIGAR OS TUBOS AOS ORIFÍCIOS DE ARMAZENAMENTO E ABRIR AS VÁLVULAS.

2. Ligue as mangueiras de serviço às ligações dos orifícios de armazenamento da máquina, como ilustrado na Figura 5.
3. Abra as válvulas dos acopladores das mangueiras de serviço rodando os anéis no sentido dos ponteiros do relógio.
4. Abra as válvulas do painel de alta pressão e baixa pressão no painel de controlo da máquina.
5. Prima F1 para iniciar o processo de lavagem das mangueiras, que funciona durante três minutos, seguido de uma recuperação.
6. Quando o processo de lavagem das mangueiras termina, o ecrã mostra

LAVAGEM DE MANGUEIRAS OK

Prima F2 para sair e regressar ao Menu de Configuração.

7. Feche as válvulas do acoplador rodando os anéis no sentido contrário ao dos ponteiros do relógio.
8. Feche as válvulas do painel no painel de controlo da máquina.



AVISO: Para evitar ferimentos pessoais enquanto trabalha com refrigerantes, leia e siga as instruções e os avisos neste manual e use equipamento de protecção tais como óculos e luvas de protecção.

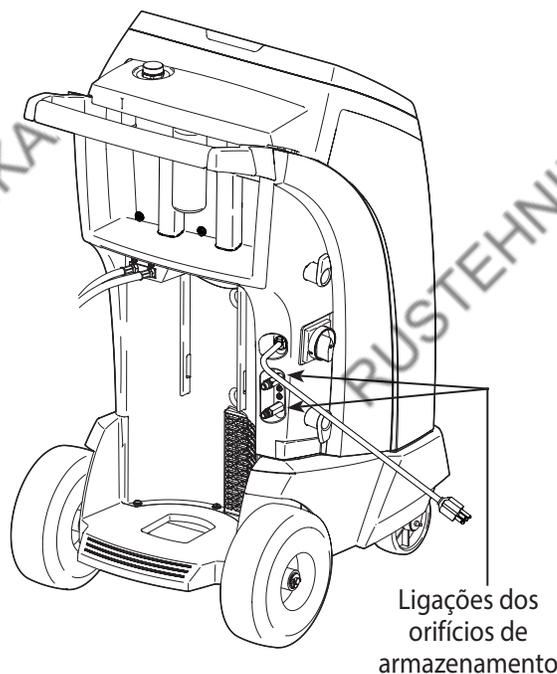


Figura 5



Recarregue o Sistema de A/C do Veículo

São realizados testes de fugas automáticos durante o processo de CARGA. Para evitar falsas falhas, as temperaturas do sistema do veículo e da máquina de recuperação devem ser ± 5 graus C.

1. Ligue ambas as mangueiras de serviço aos orifícios de serviço do veículo. Abra as válvulas do painel de alta pressão e baixa pressão.
2. Prima CARGA. O ecrã mostra

REFRIGERANTE: 00.0000 KG
ÓLEO: 000 ML
SELECCIONE A CHAVE DO MENU
PARA MUDAR AS UNIDADES.

3. Use as setas e o teclado numérico para introduzir a quantidade de carga desejada.
4. Prima F1 para iniciar o processo de carga. Depois da máquina terminar um teste de fugas pré-carga, ser-lhe-á pedido para seleccionar um caminho de carga. Nota: Apenas uma carga de alta pressão ou pressão dupla pode ser concluída se também injectar óleo.
 - Carga de alta pressão: Certifique-se de que a válvula do painel de alta pressão (vermelha) e ambos os acopladores das mangueiras de serviço estão abertos. Feche a válvula do painel de baixa pressão (azul).
 - Carga de baixa pressão: Certifique-se de que a válvula do painel de baixa pressão (azul) e os acopladores das mangueiras de serviço estão abertos. Feche a válvula do painel de alta pressão (vermelha).
 - Carregue ambos os lados: Certifique-se de que ambas as válvulas do painel e os acopladores das mangueiras de serviço estão abertos.
5. Prima F1 para continuar o processo de carga. Mover ou bater na máquina nesta fase poderá originar uma carga imprecisa. Quando o ciclo de carga se aproximar do valor de peso pretendido, a máquina abrandará. Irá carregar, assentar, carregar novamente, assentar, etc.
6. Quando lhe for pedido, feche quaisquer acopladores de serviço abertos. No entanto, quaisquer válvulas do painel abertas devem permanecer abertas. Retire as mangueiras de serviço do sistema de A/C e instale as mangueiras nos orifícios de armazenamento da máquina. Prima F1 para esvaziar as mangueiras.
7. Quando aparecer o ecrã CARGA COMPLETA, inclui um resumo dos resultados de carga. Se estiver a utilizar o Modelo AC1234-3P, poderá imprimir o resumo premindo F1. Prima F2 para regressar ao ecrã Seleccionar Acção.
8. Feche as válvulas do painel. O sistema de A/C do veículo está agora pronto para ser utilizado.



AVISO: Para evitar ferimentos pessoais enquanto trabalha com refrigerantes, leia e siga as instruções e os avisos neste manual e use equipamento de protecção tais como óculos e luvas de protecção.

Nota: O processo de carga difere de veículo para veículo. A função de carga para veículos equipados com um adaptador de serviço único deve ser realizada manualmente. Consulte o manual de serviço do veículo para obter instruções específicas.

CUIDADO: se a válvula de acoplador de baixa pressão (azul) ou de alta pressão (vermelha) for deixada aberta durante o processo de esvaziar as mangueiras, o sistema puxará o refrigerante de volta para fora do veículo.



Função Automática

A função AUTOMÁTICA permite a um utilizador realizar uma recuperação, aspiração, teste de fugas e/ou sequência de carga automáticos. Uma sequência automática total poderá demorar até uma hora para terminar.

1. Ligue as mangueiras de serviço de alta pressão (vermelha) e baixa pressão (azul) ao sistema de A/C.
2. Abra as válvulas dos acopladores das mangueiras de serviço rodando os anéis no sentido dos ponteiros do relógio.
3. Abra as válvulas do painel de alta pressão e baixa pressão no painel de controlo da máquina.
4. Prima AUTOMÁTICO. Siga as instruções no visor à medida que a máquina avança ao longo do ciclo automático. Durante a Carga, siga as instruções específicas da Carga neste manual.
5. Quando lhe for pedido, feche os acopladores das mangueiras de serviço rodando os anéis no sentido contrário ao dos ponteiros do relógio. No entanto, quaisquer válvulas do painel abertas devem permanecer abertas.
6. Retire as mangueiras de serviço do sistema de A/C e instale as mangueiras nos orifícios de armazenamento da máquina. Prima F1 para esvaziar as mangueiras. Isto prepara a máquina para o serviço seguinte.
7. Quando aparecer o ecrã CARGA COMPLETA, o visor mostra um resumo dos resultados de carga. Se a máquina for o Modelo AC1234-3P, poderá imprimir o resumo premindo F1. Prima F2 para regressar ao ecrã Seleccionar Acção.
8. Nesta altura, feche as válvulas do painel.



AVISO: Para evitar ferimentos pessoais enquanto trabalha com refrigerantes, leia e siga as instruções e os avisos neste manual e use equipamento de protecção tais como óculos e luvas de protecção.

Informações Sobre a Função Automática

- A função de CARGA para veículos equipados com um adaptador de serviço único deve ser realizada manualmente de acordo com os procedimentos indicados no manual de serviço do fabricante do veículo.
- A quantidade de óleo recuperado durante a RECUPERAÇÃO é automaticamente injectada antes do ciclo de CARGA.
- Se a RECUPERAÇÃO não for realizada, a quantidade de óleo a injectar poderá ser inserida durante a programação das informações relativas à CARGA.
- Se forem encontrados problemas durante a sequência automática, ouve-se um alerta sonoro três vezes. A sequência permanece em pausa até que o utilizador insira uma decisão em relação à forma de proceder.
- O teste de fuga pré-carga é automático.

Enxaguamento do sistema

A função de LAVAGEM DO SISTEMA é realizada usando um adaptador de lavagem aprovado pelo fabricante. Consulte as instruções incluídas com o adaptador também quando realizar os seguintes passos.

1. Certifique-se de que o filtro de lavagem e o filtro de rede não estão ligados.
2. Monte o dispositivo de lavagem na parte de trás da máquina Robinair. Não faça ligações nesta altura.
3. Retire a garrafa de drenagem de óleo (ver Figura 9) da máquina Robinair. Drene a garrafa de óleo e deite fora o óleo de acordo com os regulamentos na sua área. Volte a instalar a garrafa de drenagem de óleo na máquina.
4. Recupere o refrigerante todo do sistema a ser lavado internamente.
5. Registe a quantidade de óleo recolhido durante a recuperação. Esta quantidade deve ser substituída, bem como qualquer óleo recolhido durante a lavagem.
Nota: A quantidade de óleo recolhido e reportado durante a Lavagem do Sistema não inclui a quantidade de óleo recolhido durante a recuperação inicial.
6. Certifique-se de que existe pelo menos 6,0 kg (13.2 lb.) de refrigerante na máquina Robinair. Para concluir uma lavagem de sistema eficaz, verifique se a máquina tem, pelo menos, 6,0 kg de refrigerante no ISV.
Nota: Se a máquina não tiver, pelo menos, 6,0 kg (13.2 lb.) de refrigerante no interior, consulte a secção deste manual intitulada Enchimento de Depósito.
7. Desligue a máquina Robinair do veículo.
8. Consulte o manual de serviço do veículo e ligue os adaptadores de lavagem e desvios adequados.
9. Ligue a mangueira de serviço de baixa pressão (azul) directamente ao filtro do kit de lavagem.
10. Retire o acoplador de serviço de alta pressão (vermelho) e ligue a mangueira de serviço de alta pressão (vermelha) ao adaptador de linha de sucção do sistema.
11. Use a mangueira fornecida para ligar o adaptador de descarga do sistema à entrada do dispositivo de lavagem.
12. Ligue as mangueiras de acordo com as instruções incluídas com o kit de lavagem.
13. Selecione Lavagem do Sistema a partir do Menu de Configuração. A máquina apresenta uma mensagem para verificar se o kit de lavagem está correctamente ligado e para abrir ambas as válvulas do painel. Prima F1 para continuar.
14. Aceite o tempo de aspiração predefinido ou programe uma quantidade de tempo superior. Prima F1.



AVISO: Para evitar ferimentos pessoais enquanto trabalha com refrigerantes, leia e siga as instruções e os avisos neste manual e use equipamento de protecção tais como óculos e luvas de protecção.



Figura 6

Instruções de Funcionamento — Lavagem do Sistema

Lavagem do Sistema cont.

- Quando a aspiração estiver concluída, tem início um teste de pressão de 5 minutos. Uma pequena quantidade de refrigerante é carregada e recuperada através do circuito de lavagem, enquanto que a máquina verifica continuamente se existe perda de pressão no sistema.
- Depois de um teste de aspiração bem-sucedido, a máquina apresenta

FECHE A VÁLVULA DO PAINEL DE BAIXA PRESSÃO
E ABRA A VÁLVULA DE ALTA PRESSÃO.

Fecher a válvula do painel de baixa pressão; abra a válvula de alta pressão. Prima F1 para iniciar o ciclo de lavagem.

- Depois de uma pequena carga, a máquina apresenta

FECHE A VÁLVULA DO PAINEL DE ALTA PRESSÃO
E ABRA A VÁLVULA DE BAIXA PRESSÃO

Fecher a válvula do painel de alta pressão; abra a válvula do painel de baixa pressão. Prima F1 para continuar. O refrigerante carregado é recuperado através da mangueira de serviço de baixa pressão.

- Os passos 15 e 16 são repetidos mais três vezes para garantir uma lavagem eficaz do sistema. Após o quarto ciclo, a máquina realiza automaticamente uma drenagem de óleo. Depois de terminada a drenagem do óleo, a máquina apresenta a quantidade total de óleo drenado durante este processo:

COMPLETO
ÓLEO: XXXYY

- Após a conclusão de uma lavagem e reinstalação do sistema bem-sucedidas, substitua qualquer óleo perdido durante o processo. Consulte o manual de serviço do veículo para obter instruções específicas.
- Prima F2 para regressar ao Menu de Configuração.

 **AVISO:** NÃO desligue os acopladores de serviço durante o processo de lavagem. O refrigerante poderá borrficar pelos adaptadores e a exposição poderá causar ferimentos pessoais.

CUIDADO: O kit de lavagem tem um filtro substituível, bem como uma rede de recolha de resíduos, sendo que ambos podem ficar entupidos. No final do ciclo de lavagem, verifique o medidor de alta pressão (vermelho) para saber a pressão do sistema e verifique o adaptador para confirmar a remoção completa de refrigerante.

Se existir pressão ou sobrar refrigerante, termine o ciclo de lavagem e inicie o modo de recuperação para recuperar refrigerante através das duas mangueiras de alta pressão e baixa pressão (azul). Depois, faça a manutenção aos filtros e repita o processo de lavagem.

Calendário de Manutenção

Operação de Manutenção	Intervalo Recomendado
Substituir filtro	Após a filtragem de 150 kg (331 lbs.) de refrigerante. Consulte Manutenção do Filtro na secção de Manutenção deste manual.
Substituir óleo da bomba de aspiração	Quando o filtro é substituído. Consulte Substituir Óleo da Bomba de Aspiração na secção de Manutenção deste manual.
Verifique as rodas para facilitar a operação	Mensalmente.
Verifique a calibragem da balança interna	Mensalmente. Consulte Verificação da Calibragem na secção de Manutenção deste manual.
Verifique a existência de fugas na máquina.	Mensalmente. Verifique a existência de fugas nas mangueiras e ligações. Desligue a alimentação, retire a cobertura e use um detector de fugas electrónico para verificar as uniões.
Limpar os painéis de entrada de ar (ver Figura 7)	Mensalmente. Use um pano limpo.
Limpar o armário e o painel de controlo	Mensalmente. Use um pano limpo.
Inspeccionar o cabo de alimentação e as mangueiras quanto à existência de cortes e arranhões	Diariamente.
Lubrificar os rolamentos das rodas e inspeccionar os componentes dos travões	Mensalmente.
Teste de pressão	De 10 em 10 anos — a realizar por um centro de assistência autorizado Robinair.

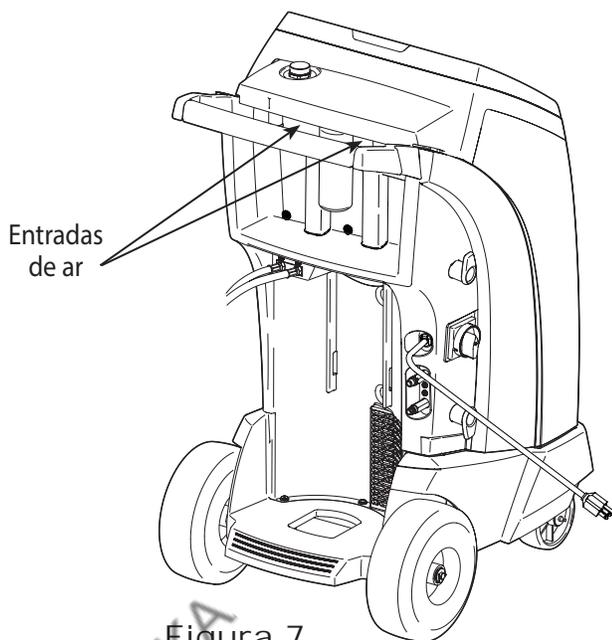


Figura 7



AVISO: Para evitar ferimentos pessoais,



- Apenas pessoal qualificado pode realizar inspeções e reparações nesta máquina.



- Leia e siga as instruções e os avisos neste manual.



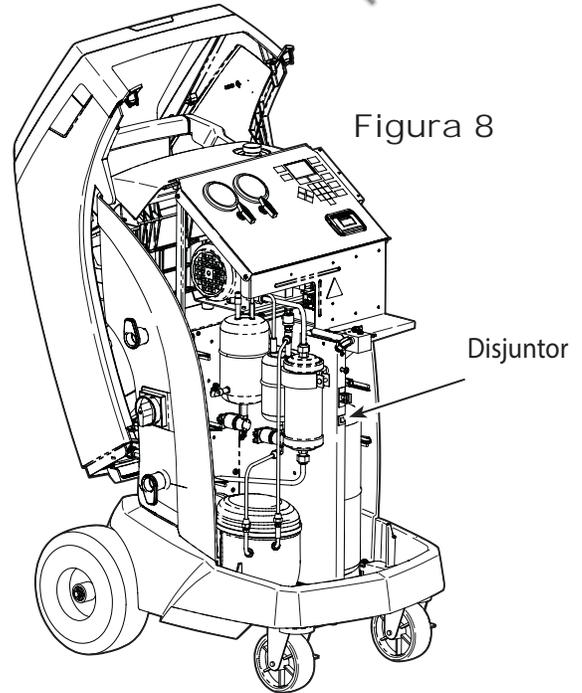
- Use equipamento de protecção, tal como óculos e luvas.

Manutenção

Protecção eléctrica

A máquina está equipada com um disjuntor no divisor central, como ilustrado na Figura 8. Se o disjuntor disparar, o respectivo botão irá saltar. Um disjuntor disparado irá fazer com que a máquina perca toda a potência.

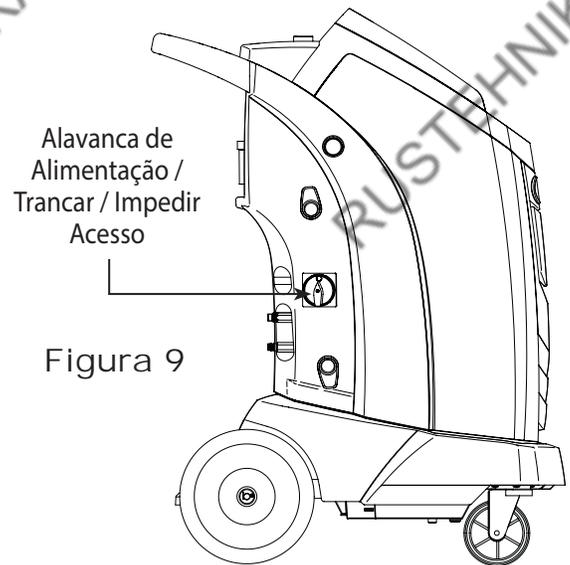
1. Retire a protecção dianteira.
2. Prima o botão do disjuntor para reiniciar.
3. Volte a colocar a protecção.



Trancar / Impedir acesso

Para garantir que o pessoal não autorizado não possa trabalhar com a máquina, use a função Trancar / Impedir Acesso. Consulte a Figura 9.

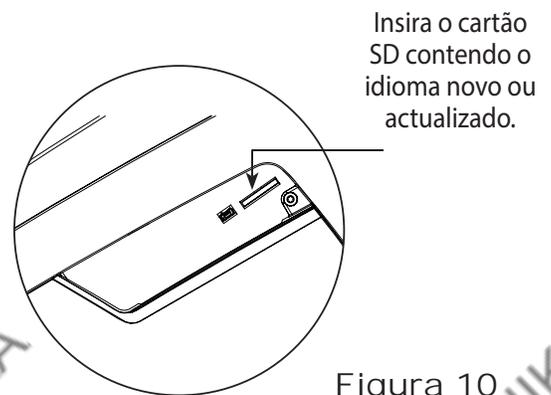
1. Rode a alavanca de Alimentação / Trancar / Impedir acesso no sentido contrário aos ponteiros do relógio.
2. Insira um cadeado ou outro item através dos orifícios alinhados para que a alavanca não possa ser rodada no sentido dos ponteiros do relógio para arrancar a máquina.



Carregar idioma

Use as seguintes instruções para adicionar ou actualizar um idioma a partir de um cartão SD.

1. Escolha SELECCIONAR IDIOMA a partir do Menu de Configuração.
2. Use as setas para navegar para CARREGAR NOVO. Prima F1.
3. Insira o cartão SD contendo os dados do idioma no painel lateral na máquina. Ver Figura 10.
4. Siga as mensagens para seleccionar o idioma para carregar ou actualizar. Se carregar um novo idioma, será necessário seleccionar qual o idioma a substituir.



Enchimento do Depósito

Este item de menu é usado para transferir refrigerante de um depósito de origem para o ISV.

A capacidade máxima do recipiente de armazenamento interno (ISV) é de 8,5 kg. Use as setas para deslocar o cursor; use o teclado para introduzir um valor. Nota: Adicione pelo menos 3,6 kg de refrigerante para assegurar que está disponível o suficiente para carregar.

1. Ligue a mangueira de baixa pressão (azul) ao conector de líquido num depósito de origem cheio.
2. Abra a válvula do painel de baixa pressão (azul) no painel de controlo da máquina.
3. Posicione o depósito de origem de forma que o refrigerante líquido seja abastecido para a ligação. Abra a válvula do depósito de origem.
4. Seleccione ENCHIMENTO DO DEPÓSITO a partir do Menu de Configuração. A máquina apresenta

ENCHIMENTO DO DEPÓSITO	
QUANTIDADE DE ENCHIMENTO: XX.XYY	
CARREGÁVEL: XX.XXYY	
RECUPERÁVEL: XX.XXYY	
INICIAR	SAIR

5. Introduza a quantidade a recuperar e prima F1. Adicione pelo menos 3,6 kg de refrigerante para assegurar que está disponível o suficiente para carregar.
6. A máquina começa a encher o ISV e pára automaticamente quando o nível de enchimento do depósito predefinido é atingido. Para parar o enchimento do depósito antes do nível predefinido ser atingido, prima F2 para interromper. No ecrã aparecerá uma opção para sair.
7. Depois de terminar, feche a válvula do acoplador da mangueira de serviço e a válvula do painel no painel de controlo. Retire a mangueira do depósito de origem.

Manutenção

Manutenção do filtro

O filtro destina-se a apanhar ácido e partículas e remover humidade do refrigerante. Para cumprir a necessidade de uma remoção de humidade e contaminantes adequada, o filtro deve ser substituído depois de se terem filtrado 150 kg (331 lbs.) de refrigerante.

A máquina dá um aviso quando se tiver utilizado 125 kg (276 lbs.) da capacidade do filtro; a máquina bloqueia quando a capacidade de 150 kg (331 lb.) do filtro tiver sido atingida e deixa de funcionar.

Verificar a Capacidade do Filtro Restante

1. Seleccionar MANUTENÇÃO DO FILTRO a partir do Menu de Configuração ou quando a máquina lhe pedir. A máquina apresenta

CAPACIDADE RESTANTE:
XXX.XYY
SUBSTITUIR O FILTRO AGORA?

A máquina mostra a capacidade do filtro restante até que a máquina bloqueie.

2. Prima F1 para substituir o filtro; prima F2 para continuar o uso da máquina.

 **AVISO:** Os componentes na máquina estão sob pressão. Para evitar ferimentos pessoais, mude o filtro apenas quando a máquina pedir.

Substituir o Filtro

1. Se seleccionar F1 para mudar o filtro, a máquina pede-lhe para inserir o código do filtro novo.

INSERIR NOVO N.º SÉRIE DO FILTRO

Use o teclado para inserir o número de série que aparece no filtro novo e prima F1 para continuar.

Nota: Se aparecer um NÚMERO DE SÉRIE INVÁLIDO, foi inserido o número de série incorrectamente ou o filtro já foi usado nesta máquina.



AVISO: Para evitar ferimentos pessoais enquanto trabalha com refrigerantes, leia e siga as instruções e os avisos neste manual e use equipamento de protecção tais como óculos e luvas de protecção.



Cuidado: Para evitar danos no equipamento, use apenas filtros autênticos Robinair N.º 34728 nesta máquina. Todas as reclamações e testes de desempenho baseiam-se na utilização deste filtro específico.

Manutenção do Filtro continuação

2. A máquina esvazia o filtro existente e, de seguida, mostra

DESLIGUE A ALIMENTAÇÃO E SUBSTITUA O FILTRO

Desligue a máquina. Retire a garrafa de óleo. Retire os quatro parafusos que fixam a cobertura. Ver Figura 11.

3. Pendure a cobertura na parte de trás da máquina como ilustrado na Figura 12.
4. Retire o filtro rodando as porcas na tubagem de cobre ligada no sentido dos ponteiros do relógio. Desligue as porcas do filtro e afaste a tubagem.
5. Desaperte o parafuso de fixação no anel de bloqueio do filtro. Extraia o filtro do anel de bloqueio.
6. Certifique-se de que os o-rings na tubagem de cobre estão lubrificados e não danificados. (Os o-rings foram lubrificados usando óleo ISO6743-3 DVA / DVC.)
7. Instale o novo filtro no anel de bloqueio e aperte o parafuso de fixação do anel. O filtro DEVE ser orientado para que a direcção de fluxo seja descendente, de cima para baixo.
8. Ligue a tubagem de cobre superior e inferior ao filtro. Aperte as porcas de fixação a 20 N·m.
9. Recicle o filtro que foi removido da máquina de acordo com a legislação na sua jurisdição.

Retire os quatro parafusos que fixam a cobertura.

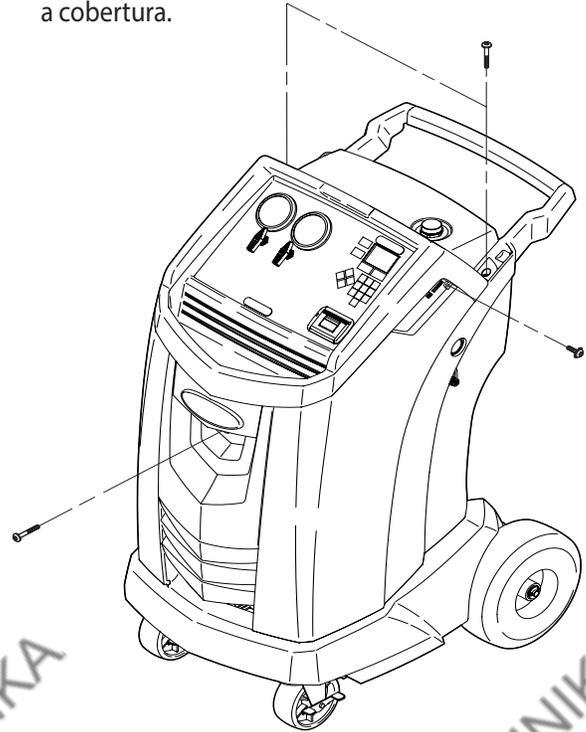


Figura 11

Pendure a protecção aqui

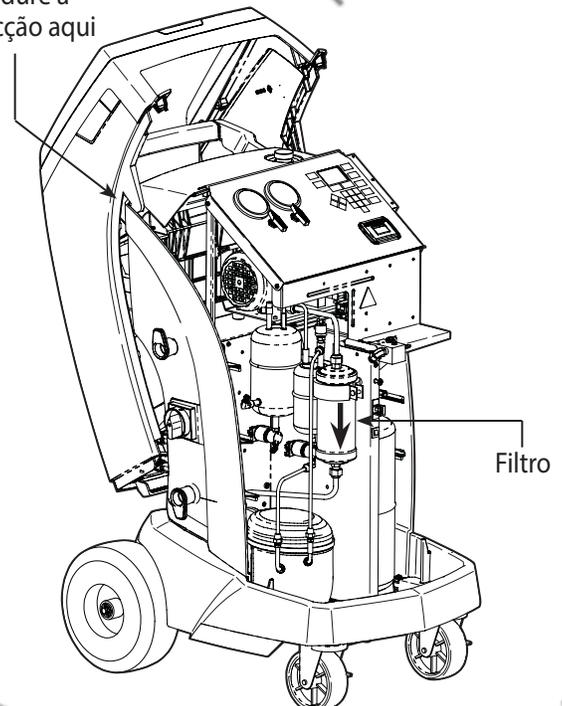


Figura 12

Manutenção

Verificação da calibragem

Esta função é usada para assegurar que a balança interna da máquina está sempre calibrada. Durante este teste, use apenas o peso de calibração que é fornecido com a máquina.

1. Consulte a Figura 13 e verifique se o íman no fundo da máquina está limpo.
2. Seleccione verificar calibragem a partir do Menu de Configuração. A máquina apresenta

COLOCAR O PESO DE CALIBRAGEM NO ÍMAN LOCALIZADO NA PARTE INFERIOR DA MÁQUINA.

3. Prenda o peso de calibração ao íman no fundo da máquina. Seleccione F1 para continuar.
4. A máquina apresenta

RETIRAR O PESO DE CALIBRAGEM DO MAGNETE LOCALIZADO NA PARTE INFERIOR DA MÁQUINA.

Retire o peso de calibragem do íman. Seleccione F1 para continuar.

- Se o ecrã mostrar

CALIBRAGEM SUPERADA

a balança está calibrada. Seleccione F2 para regressar ao Menu de Configuração.

- Se o ecrã mostrar

CALIBRAGEM FALHADA

a balança está fora de calibragem. pode premir F1 novamente para tentar de novo. Se a calibragem continuar a falhar, contacte um centro de assistência Robinair autorizado para obter ajuda.

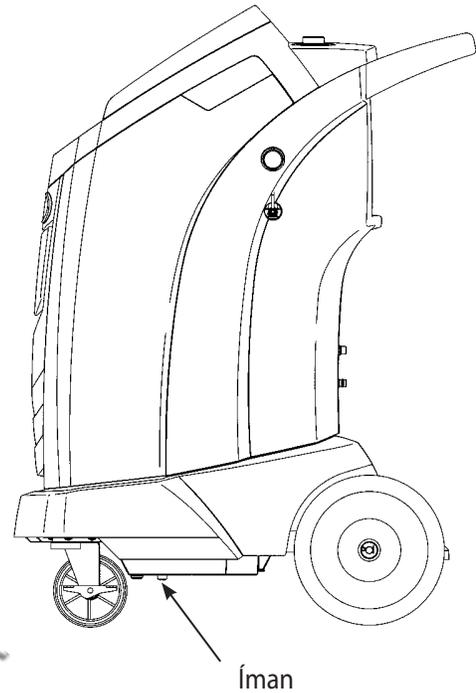


Figura 13

Substituir Óleo da Bomba de Aspiração

1. Seleccione MANUTENÇÃO DA BOMBA a partir do Menu de Configuração ou quando a máquina lhe pedir. O ecrã mostra quanto tempo é que a bomba de aspiração funcionou desde a última mudança de óleo.

VIDA ÚTIL DO ÓLEO RESTANTE
XXX:XX (HHH:MM)
SUBSTITUIR O ÓLEO AGORA?

2. Prima F1 para substituir o óleo da bomba de aspiração. Se a máquina apresentar

A AQUECER O ÓLEO
AGUARDE

deixe a bomba de aspiração funcionar durante dois minutos para aquecer o óleo. Se o óleo já estiver quente, o ecrã mostra

DRENAR O ÓLEO USADO DA BOMBA E
SUBSTITUIR POR 150 ML DE ÓLEO NOVO

3. Abra lentamente a tampa de enchimento de óleo para se certificar de que não há pressão na máquina. Depois, retire cuidadosamente a tampa. Ver Figura 14.
4. Retire a tampa de encaixe do dreno de óleo e drene o óleo para um recipiente adequado para eliminação. Volte a colocar a tampa e feche bem. Prima F1 para continuar.
5. A máquina apresenta

ENCHER BOMBA ATÉ AO CENTRO
DO VIDRO C/ÓLEO NOVO

Lentamente, adicione óleo da bomba de aspiração através do orifício de enchimento de óleo até que o nível de óleo suba até ao centro do visor de vidro. Instale a tampa no orifício de enchimento de óleo e feche bem. Prima F1 para regressar ao ecrã Manutenção da Bomba.

! CUIDADO: Para evitar ferimentos pessoais, NÃO opere a máquina em nenhuma altura sem a tampa do orifício de enchimento de óleo instalada porque a bomba de aspiração é pressurizada durante a operação normal.

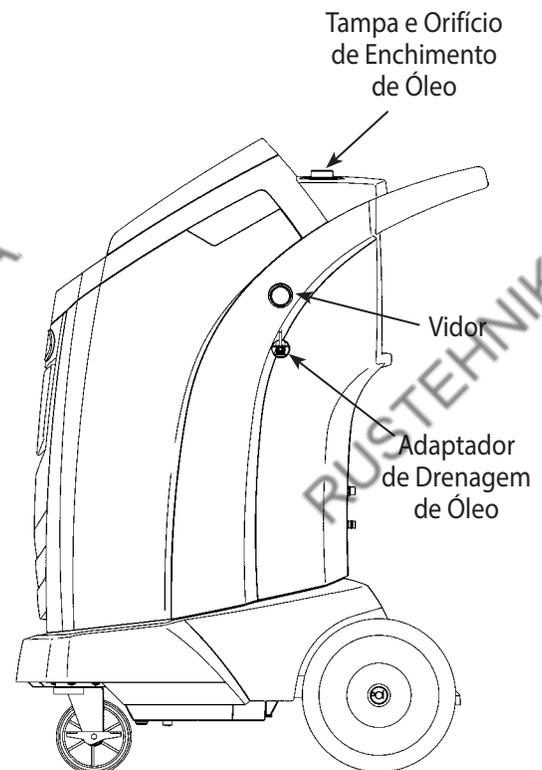


Figura 14

Cuidado: É da responsabilidade do utilizador monitorizar o nível e clareza do óleo na bomba de aspiração. Se não remover o óleo contaminado da bomba de aspiração e o substituir, a bomba de aspiração ficará permanentemente danificada.

Manutenção

Verificação de Fugas

Para garantir uma operação segura, ecológica e económica, a unidade realiza um auto-teste controlado por software a intervalos regulares (a cada 10 dias). Durante este teste, os componentes que contêm refrigerante são pressurizados e monitorizados para verificar se há uma descida de pressão, o que poderia indicar uma fuga.

1. No arranque, se for necessária uma Verificação de Fugas, a máquina mostra

LIGAR OS TUBOS AOS ORIFÍCIOS DE
ARMAZENAMENTO E ABRIR AS VÁLVULAS

Ligue os acopladores das mangueiras de serviço aos conectores de armazenamento na parte de trás da máquina. Abra os acopladores rodando os anéis no sentido dos ponteiros do relógio.

2. Abra as válvulas do painel de alta pressão e baixa pressão no painel de controlo da máquina. Prima F1 para iniciar. A realiza uma auto-recuperação e mostra

RECUPERAÇÃO EM CURSO

3. A máquina realiza um teste de aspiração de 30 segundos e mostra

VERIFICAÇÃO DE ASPIRAÇÃO EM CURSO

Se o teste de aspiração falhar, a máquina pede-lhe para verificar se existem fugas.

4. Assim que a máquina passar o teste de aspiração, é aplicada uma pressão controlada aos componentes internos. A máquina apresenta

VERIFICAÇÃO DE PRESSÃO EM CURSO.

Esta pressão é mantida durante cinco minutos e monitorizada para ver se tem descidas. Os minutos e segundos fazem uma contagem decrescente no ecrã.

- Se for detectada uma descida de pressão aceitável, a máquina recupera o refrigerante e volta ao Menu de Configuração, pronta para uma operação normal.
- Se for detectada uma descida de pressão inaceitável, a máquina pede-lhe para verificar se existem fugas. Leve a máquina a um centro de assistência Robinair autorizado para reparação.

Nota:

- A Verificação de Fugas também poderá ser seleccionada a qualquer momento a partir do menu de Configuração.
- Se recusar realizar a Verificação de Fugas quando lhe for pedido, a máquina continuará a pedir o teste em cada arranque até que o teste seja feito.



AVISO: Para evitar ferimentos pessoais no caso de a máquina requerer um transporte para um centro de assistência Robinair local, siga os regulamentos governamentais locais relativamente ao transporte de equipamento contendo R1234yf

Ajuste da injeção de óleo

A função de injeção de óleo nesta máquina é automática e baseada em tempo. Muitas variáveis podem afectar a precisão.

Se estiver a usar óleos de viscosidade muito alta ou muito baixa, ou se estiver a trabalhar com temperaturas muito altas ou muito baixas, pode ser necessário um ajuste do factor de correcção da injeção de óleo para a máquina produzir injeções de óleo precisas.

A correcção predefinida está definida para 0,25 e baseia-se numa viscosidade do óleo PAG100 e uma temperatura ambiente de 25°C.

1. Para ajustar o factor de correcção da Injecção de Óleo, seleccione AJUSTE DA INJECCÃO DE ÓLEO a partir do Menu de Configuração. A máquina apresenta

X.XX
AUMENTE PARA INJECTAR MAIS ÓLEO OU
DIMINUA PARA INJECTAR MENOS ÓLEO

2. Usando as setas e o teclado numérico, introduza um factor de correcção desejado. Valores aceitáveis consistem em qualquer número entre 0,01 e 1,00.
 - Um factor de correcção de 1,00 alonga o tempo de duração da injeção de óleo, aumentando a quantidade de óleo injectado.
 - Um factor de correcção de 0,01 encurta o tempo de duração da injeção de óleo, diminuindo a quantidade de óleo injectado.
3. Prima F1 para guardar o valor; prima F2 para regressar ao Menu de Configuração sem guardar o valor.

CUIDADO: Para evitar incompatibilidades químicas com os componentes internos da máquina, use apenas óleos aprovados pelo fabricante do veículo. Problemas resultantes da utilização de óleos não aprovados irão anular a garantia.

Manutenção

Editar Impressão do Cabeçalho

Para efectuar alterações ao texto que aparece neste ecrã:

1. No Menu de Configuração, seleccione Editar Impressão do Cabeçalho.
2. O cursor está no primeiro campo. Actualize o texto usando as setas e a interface multi-tap no teclado numérico:
 - A seta PARA A ESQUERDA actua como uma tecla de retrocesso.
 - A tecla PARA A DIREITA desloca o cursor para a direita.
 - A tecla ZERO (0) actua como uma barra de espaço.
 - As teclas PARA CIMA e PARA BAIXO navegam entre as linhas.
3. Prima F1 para guardar as alterações e regressar ao Menu de Configuração; prima F2 para regressar ao cabeçalho anterior e sair para o Menu de Configuração.

Substituir o Papel da Impressora (apenas AC1234-3P)

Para instalar um rolo de papel novo na impressora:

1. Retire a cobertura na impressora puxando a patilha, conforme mostrado na Figura 15.
2. Retire o miolo de papel.
3. Instale o novo rolo de papel com a ponta do papel no topo do rolo.
4. Monte a cobertura na impressora com o bordo da frente do papel por cima do rolo.

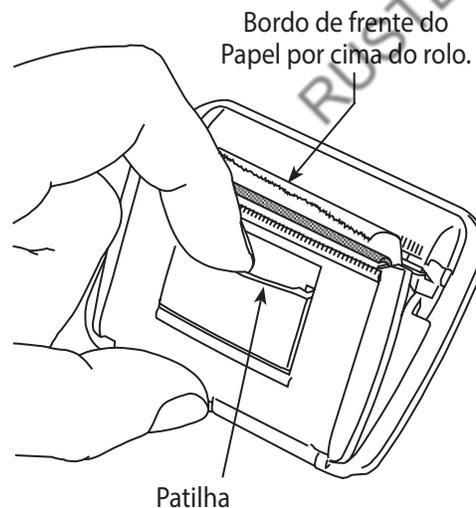


Figura 15

Instalar uma Impressora

É possível adquirir e instalar uma impressora em qualquer modelo que não inclua uma impressora. Todos os modelos da máquina já contêm um cabo de ligação à impressora que está pronto a ser usado. Para instalar uma Impressora:

1. Desactive a máquina e desligue-a da fonte de alimentação.
2. Retire os quatro parafusos que fixam a cobertura. Ver Figura 11.
3. Pendure a cobertura na parte de trás da máquina como ilustrado na Figura 12.
4. Retire os dois parafusos nos cantos superiores do painel de controlo, permitindo que o painel de controlo tombe para a frente.
5. O cabo de ligação da impressora está fixo à parte de trás da tampa que se encontra no corte da localização da impressora. Retire a braçadeira, libertando o cabo. O cabo será usado mais tarde.
6. Retire a tampa do corte da localização da impressora pressionando as patilhas da tampa pela parte de trás do painel de controlo e empurrando a tampa para fora do painel.
7. Retire os dois braços de bloqueio da impressora inserindo uma chave de parafusos de cabeça plana por baixo de cada patilha na parte de trás do respectivo braço de bloqueio. Levante a patilha para fora enquanto afasta todo o braço da impressora.
8. Coloque a impressora na área do corte no painel de controlo. Pressione a face da impressora ao mesmo nível do painel, orientada com o papel a sair pela parte superior da impressora como ilustrado na Figura 15.
9. Volte a colocar os braços de bloqueio da impressora pelo interior do painel de controlo. Empurre-os para a frente até ficarem em contacto firme com a face interna do painel de controlo.
10. Localize a extremidade livre do cabo de ligação da impressora que foi separado da tampa no Passo 5.
11. Ligue os dois conectores livres aos conectores adequados na parte de trás da impressora.
12. Volte a colocar o painel de controlo no lugar e fixe-o usando os dois parafusos removidos no Passo 4.
13. Volte a montar a protecção na máquina e instale os quatro parafusos removidos no Passo 2.

A impressora está agora pronta para ser usada.

Peças Sobresselentes e Glossário

Peças Sobresselentes

Componente	Peça Sobresselente N.º
Peso de Calibragem	SP01100095
Filtro 34728	
Garrafa de Drenagem de Óleo	SP01100162
Garrafa de Injeção de Óleo	SP01100025
Impressora	SP00100099
Papel impressora (1 rolo)	SP00100087
Acoplador serviço BP	18122
Acoplador serviço AP	18123
Mangueira de Serviço (baixa pressão, azul)	70123
Mangueira de Serviço (alta pressão, azul)	70124
Adaptador depósito (1234 <22 HW)	SP01100352
Adaptador depósito (1234 DNT)	SP01100353
Adaptador depósito (1234 >22 HW)	SP01100354
Óleo da Bomba de Aspiração (600 ml)	5604052
Cobertura Anti-Poeira Vinil (opcional)	SP01100250



CUIDADO: Para evitar ferimentos pessoais, use apenas as peças de reparação contidas nesta lista de peças. Os itens que se encontram nesta lista de peças foram cuidadosamente testados e seleccionados pela Robinair.

Glossário

Sistema A/C: O sistema de ar condicionado do veículo a receber assistência.

Evacuação: Removeu-se humidade e outros elementos não condensáveis de um sistema A/C por meio de uma bomba de aspiração.

Recipiente de Armazenamento Interno (ISV): O depósito de armazenamento de refrigerante que pode ser voltado a encher, concebido especificamente para esta máquina; 8,5 kg (18.7 lb.) de capacidade.

Teste de Fugas (Aspiração): Os componentes que contêm refrigerante são evacuados e monitorizados para ver se há subidas de pressão, o que poderá indicar uma fuga.

Máquina: Modelo N.º AC1234-3 ou AC1234-3P.

Verificação de Fugas: Os componentes que contêm refrigerante são pressurizados e monitorizados para verificar se há uma descida de pressão, o que poderia indicar uma fuga.

Recuperação / Reciclagem: O refrigerante é recuperado de um sistema de A/C, filtrado e armazenado no ISV.

Refrigerante: R1234yf.

Mensagens de Resolução de Problemas

Ecrã	Causa	Solução
CALIBRAGEM FALHADA	A balança interna está fora de calibragem.	Prima F1 para tentar novamente a VERIFICAÇÃO DA CALIBRAGEM. Se a calibragem continuar a falhar, saia do teste acutal e contacte um centro de assistência Robinair autorizado para a reparação.
CARGA IMOBILIZADA! VERIFICAR LIGAÇÕES E VÁLVULAS	O refrigerante está imobilizado no ISV ou na máquina.	Certifique-se de que as ligações estão fixas e que as válvulas estão na posição correcta.
BASE DE DADOS NÃO INSTALADA	A máquina não é expedida com a base de dados instalada.	Contacte um centro de assistência Robinair autorizado para obter mais informações.
PESO EXCESSIVO DO DEPÓSITO	Disparo do circuito de segurança de enchimento. A máquina é bloqueada devido a uma quantidade excessiva de refrigerante no ISV.	Contacte um centro de assistência Robinair autorizado para obter mais informações.
FILTRO GASTO PESO DO FILTRO XXX.XYY SUBSTITUIR O FILTRO AGORA?	150 kg (331 lbs.) ou mais refrigerante foi recuperado desde a última mudança do filtro.	Consulte a secção Manutenção do Filtro deste manual para obter instruções sobre como substituir o óleo da bomba de aspiração.
ALTA PRESSÃO NO ISV	A máquina é bloqueada porque a pressão no ISV é demasiado elevada, possivelmente devido a uma temperatura do depósito excessivamente alta.	Deixe a máquina arrefecer antes de realizar assistência adicional ao A/C. Se o problema persistir, contacte um centro de assistência Robinair autorizado para obter mais informações.
IDENTIFICAR TESTE DE PUREZA DO REFRIGERANTE FALHOU	O refrigerante testado não é R1234yf ou está contaminado.	Não recupere refrigerante contaminado para o AC1234-3(P); use uma máquina de recuperação de refrigerante externa dedicada a refrigerante contaminado.
A PRESSÃO DE ENTRADA É DEMASIADO ALTA PARA ASPIRAÇÃO.	Antes da máquina começar a evacuar o sistema A/C, verifica se existe pressão no sistema que poderia danificar a bomba de aspiração. Neste caso, a pressão do sistema é superior a 0.35 bar.	Prima F1. Consulte a secção RECUPERAR deste manual para recuperar refrigerante antes de continuar.

Mensagens de Resolução de Problemas

Ecrã	Causa	Solução
COMUNICAÇÃO IOE FALHOU	Comunicação com a placa de relés falhou.	Reinicie a placa de relés premindo F2. Se o problema persistir, contacte um centro de assistência Robinair autorizado para obter mais informações.
REFRIGERANTE INSUFICIENTE. 6,00 KG NECESSÁRIOS PARA REALIZAR UMA LAVAGEM DO SISTEMA	Sem refrigerante suficiente no ISV para realizar uma lavagem do sistema.	Consulte Enchimento do Depósito na secção Manutenção deste manual.
REFRIGERANTE INSUFICIENTE DISPONÍVEL PARA CARGA SELECIONADO: XX.XXYY DISPONÍVEL: XX.XXYY	Após a introdução de um peso desejado, se o processo de carga deixar menos de .91 kg (2 lbs.) de refrigerante no ISV, a função de carga não será iniciada.	Consulte Enchimento do Depósito na secção Manutenção deste manual.
CÓDIGO INVÁLIDO	O código de activação introduzido na máquina não está correcto.	Verifique se o código de activação foi introduzido exactamente como foi recebido. É obrigatório usar as maiúsculas.
NÚMERO DE SÉRIE INVÁLIDO!	O número de série introduzido na máquina não está correcto.	Certifique-se de que o número de série introduzido coincide com o número de série no filtro. Certifique-se de que o filtro não foi usado anteriormente na máquina.
FALHA DO TESTE DE FUGAS	Fuga no sistema de A/C do veículo.	Saia do teste actual e realize reparações no sistema de A/C do veículo.
SEM PRESSÃO NAS ENTRADAS VERIFIQUE AS LIGAÇÕES RECUPERAR SEMPRE?	A pressão do sistema é inferior a 0.35 bar.	Certifique-se de que as mangueiras de alta pressão (vermelha) e baixa pressão (azul) estão ligadas e que as válvulas dos acopladores estão abertas. Prima F1 para recuperar; prima F2 para ultrapassar a RECUPERAÇÃO e prossiga para ASPIRAÇÃO.
PARAGEM DA DRENAGEM DO ÓLEO	A pressão do acumulador não subiu acima de 1.10 bar no minuto antes de ser suposto ocorrer uma drenagem do óleo.	É necessária uma pressão adequada no acumulador para forçar o óleo, que foi separado do refrigerante, para fora do sistema. Prima F1 para tentar novamente; prima F2 para sair.

Mensagens de Resolução de Problemas

Ecrã	Causa	Solução
VIDA ÚTIL DO ÓLEO REMANEIXE XX:XXX SUBSTITUIR O ÓLEO AGORA?	O visor mostra a capacidade do filtro restante até a máquina bloquear.	Consulte a secção Manutenção do Filtro deste manual para obter instruções sobre como substituir o óleo da bomba de aspiração.
FORA DO INTERVALO PRESSÃO DO ACUMULADOR	O transdutor de pressão do acumulador não está a ler a pressão correctamente.	Saia do teste actual e contacte um centro de assistência Robinair autorizado para obter mais informações.
FORA DO INTERVALO FLUXO DE AR	O sensor do fluxo de ar não está a ler o fluxo de ar correctamente.	Saia do teste actual e contacte um centro de assistência Robinair autorizado para obter mais informações.
FORA DO INTERVALO LADO DE ALTA PRESSÃO	O transdutor de alta pressão não está a ler a pressão correctamente.	Saia do teste actual e contacte um centro de assistência Robinair autorizado para obter mais informações.
FORA DO INTERVALO PRESSÃO ISV	O transdutor de pressão do recipiente de armazenamento interno não está a ler a pressão correctamente.	Saia do teste actual e contacte um centro de assistência Robinair autorizado para obter mais informações.
FORA DO INTERVALO TEMPERATURA ISV	O sensor de temperatura do recipiente de armazenamento interno não está a ler a temperatura correctamente.	Saia do teste actual e contacte um centro de assistência Robinair autorizado para obter mais informações.
FORA DO INTERVALO LADO DE BAIXA PRESSÃO	O transdutor de baixa pressão não está a ler a pressão correctamente.	Saia do teste actual e contacte um centro de assistência Robinair autorizado para obter mais informações.
FALHA DO TESTE DE PRESSÃO VERIFIQUE A EXISTÊNCIA DE FUGAS.	Fuga no sistema de A/C do veículo.	Saia do teste actual e realize reparações no sistema de A/C do veículo.
O N.º SÉRIE JÁ FOI UTILIZADO	O número de série introduzido na máquina não está correcto.	O filtro já foi usado nesta máquina. Adquira um novo filtro Robinair N.º 34728 autêntico.
O DEPÓSITO DE ORIGEM ESTÁ VAZIO	O refrigerante não pode ser transferido para o ISV porque o depósito de origem está vazio.	Saia do teste actual e volte a colocar o depósito de origem.
DEPÓSITO CHEIO. RETIRE O REFRIGERANTE ANTES DE CONTINUAR	O ISV está demasiado cheio para recuperar refrigerante adicional.	Realize um procedimento de carga para remover o refrigerante do ISV antes de mais qualquer tentativa de recuperação.

Mensagens de Resolução de Problemas

Ecrã	Causa	Solução
PERÍODO EXPERIMENTARL EXPIRADO NECESSÁRIA A ACTIVAÇÃO DA UNIDADE PARA CONTINUAR A UTILIZÁ-LA.	Se não conseguir registar e activar a máquina 30 dias após o arranque inicial, a máquina pode bloquear e deixar de funcionar.	Prima F1 e consulte a secção Activação da Unidade neste manual para registar a máquina.
FALHA DO TESTE DE VÁCUO. VERIFIQUE A EXISTÊNCIA DE FUGAS.	Fuga no sistema de A/C do veículo.	Saia do teste actual e realize reparações no sistema de A/C do veículo.

Armazenamento e Transporte de Equipamento

Armazenamento

Nunca deixe a máquina ligada se não tiver programado um uso imediato.

1. Desligue a máquina da fonte de alimentação eléctrica.
2. Enrole as mangueiras de serviço à volta da pega duas vezes e fixe-as aos orifícios de armazenamento. Ver Figura 16.
3. Armazene a máquina numa zona seca e estável, longe de chamas e superfícies quentes. A temperatura da zona de armazenamento deverá variar entre -25°C e 60°C.
4. Bloqueie as rodas dianteiras.

Transporte de Equipamento



AVISO: Para evitar ferimentos pessoais no caso de a máquina requerer um transporte para um centro de assistência Robinair local, siga os regulamentos governamentais locais relativamente ao transporte de equipamento contendo R1234yf

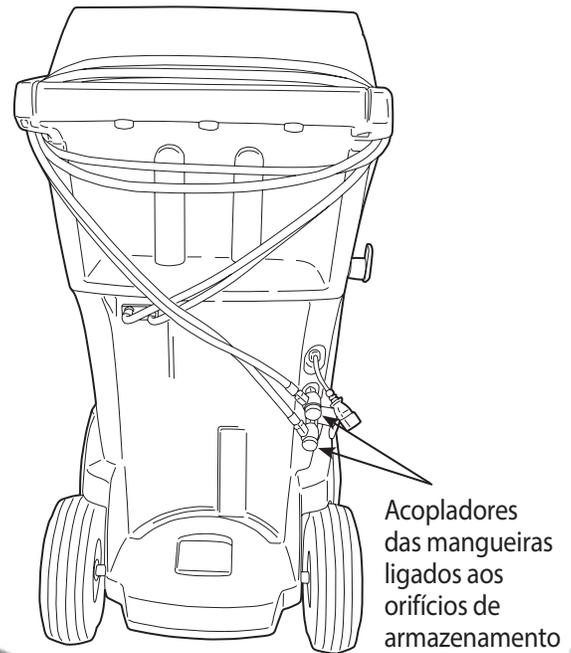


Figura 16

Eliminação de Equipamento

Eliminação de Equipamento



No final da sua vida útil, elimine a máquina Robinair N.º AC1234-3 (P) de acordo com os regulamentos governamentais actuais.

- A administração pública e os produtores de equipamento eléctrico / electrónico (EEE) estão envolvidos na facilitação dos processos da reutilização e recuperação de resíduos de equipamento eléctrico / electrónico através da organização de actividades de recolha e da utilização de disposições de planeamento adequadas.
- De acordo com a Directiva Europeia REEE 2002/96/CE, estão disponíveis locais de recolha especiais para resíduos de equipamento eléctrico / electrónico.
- Não descarte este equipamento como resíduo municipal sólido diverso. Mandar fazer a sua recolha separadamente. A eliminação não autorizada de resíduos de equipamento eléctrico / electrónico é punível por lei sendo aplicadas as respectivas sanções.
- A reutilização e reciclagem correcta de equipamento eléctrico / electrónico (EEE) são necessárias para a protecção do ambiente e do bem-estar dos seres humanos.

Eliminação de Materiais Reciclados

É da responsabilidade do utilizador determinar se um material é um resíduo perigoso aquando da eliminação. O utilizador garante a conformidade com todas as leis e os regulamentos aplicáveis.

1. Entregue o refrigerante recuperado de sistemas A/C a fornecedores de gás para reciclar ou eliminar
2. Entregue os lubrificantes extraídos de sistemas A/C em centros de recolha de óleo usado.
3. Reveja as leis na sua jurisdição para determinar os procedimentos de eliminação correctos para óleo de bomba.

Eliminação da Máquina

1. Separe e ventile o gás do circuito da máquina. Descarregue completamente o depósito de refrigerante em conformidade com os regulamentos oficiais actuais.
2. Entregue a máquina a um centro de eliminação adequado.

Eliminação de Pilhas e Baterias



No final da sua vida útil, elimine as pilhas de acordo com os regulamentos oficiais actuais. As pilhas deverão ser recicladas ou eliminadas correctamente. Não deite fora pilhas como eliminação de recusa normal.



Para evitar ferimentos pessoais, não deite fora pilhas para chamas abertas.

ROBINAIR®

Consignes originales



Modèle AC1234-3
Modèle AC1234-3P

Machine de récupération, de recyclage
et de recharge pour les systèmes de
climatisation avec R1234yf



Description : Machine de récupération, de recyclage et de recharge à utiliser avec des systèmes de climatisation équipés de R1234yf.

INFORMATION PRODUIT

Notez le numéro de série et l'année de fabrication de cette machine pour référence future. Lisez l'étiquette d'identification du produit sur la machine pour obtenir ces renseignements.

AC1234-3

N°de série : _____ Année de fabrication : _____

CLAUDE DE NON-RESPONSABILITÉ : Les renseignements, les illustrations et les spécifications contenues dans ce manuel reposent sur les dernières informations disponibles au moment de la publication. L'entreprise se réserve le droit d'apporter des modifications à tout moment sans être tenue de signaler ces révisions ou changements à des personnes ou des organisations. En outre, ROBINAIR ne saurait être tenue pour responsable des erreurs contenues dans ce document, ni des dommages indirects ou accessoires (manque à gagner inclus) liés à l'approvisionnement, au rendement ou à l'utilisation de ce matériel. Au besoin, il est possible d'obtenir de plus amples renseignements en matière de santé et de sécurité auprès des organismes gouvernementaux appropriés et des fabricants de véhicules, de réfrigérants et de lubrifiants.

Consignes de sécurité	2
Introduction	
Spécifications techniques	5
Caractéristiques de l'AC1234-3(P).....	6
Fonctions du panneau de commande	7
Fonctions du menu Configuration.....	8
Configuration initiale	
Déballage de la machine.....	9
Déballage du kit d'accessoires	9
Mise sous tension de la machine	9
Sélection de la langue	10
Sélection des unités	10
Réglage de la date et l'heure	10
Édition du titre d'impression	10
Vide service	11
Remplissage du réservoir	11
Activation de la station	13
Consignes d'utilisation	
Saisie des données d'entretien	14
Récupération.....	15
Vide.....	17
Rinçage des flexibles.....	18
Charge	19
Automatique	20
Rinçage du système	21
Maintenance	
Calendrier.....	13
Protection électrique	24
Verrouillage/Condamnation	24
Chargement d'une langue	24
Remplissage du réservoir	25
Maintenance du filtre	26
Contrôle du calibrage.....	28
Vidange d'huile de la pompe à vide	29
Contrôle des fuites.....	30
Ajustement de l'injection d'huile	31
Édition du titre d'impression	32
Remplacement du papier d'impression.....	32
Installation d'une imprimante.....	33
Pièces détachées	34
Glossaire	34
Messages d'identification des pannes	35
Stockage et transport de l'équipement.....	39
Mise au rebut de l'équipement.....	40

Consignes de sécurité

Explication des mots indicateurs de sécurité utilisée dans ce manuel

Le mot indicateur de sécurité désigne le degré ou le niveau de gravité du danger.



DANGER : indique une situation de danger imminent qui, si elle n'est pas évitée, entraînera des blessures graves, voire mortelles.



AVERTISSEMENT : indique une situation potentiellement dangereuse risquant, si elle n'est pas évitée, de provoquer des blessures graves, voire mortelles.



MISE EN GARDE : indique une situation potentiellement dangereuse risquant, si elle n'est pas évitée, de provoquer des blessures modérées ou légères.

MISE EN GARDE : sans le symbole d'alerte, indique une situation potentiellement dangereuse risquant, si elle n'est pas évitée, de provoquer des dommages matériels.

Ces messages de sécurité couvrent des situations connues par Robinair. Robinair ne peut pas anticiper, évaluer ni conseiller les utilisateurs sur tous les risques possibles. Vous devez vous assurer que les conditions et les procédures ne mettent pas en péril votre sécurité.

Explication des autocollants de sécurité utilisés sur l'AC1234-3(P)

	Lire attentivement les consignes.
	Ne pas utiliser à l'air libre en cas de pluie ou d'humidité élevée.
	Porter des gants.
	Porter des lunettes de protection.
	Tension alternative.
	Protection de mise à la terre.
	Risque de choc électrique.



AVERTISSEMENT : pour éviter les blessures corporelles,



SEUL LE PERSONNEL QUALIFIÉ DOIT ÊTRE AUTORISÉ À UTILISER LA MACHINE. Avant d'utiliser la machine, il est impératif de lire et de respecter les consignes et les avertissements reportés dans ce manuel. L'utilisateur doit connaître les systèmes de climatisation et de réfrigération, les réfrigérants et les dangers représentés par les composants sous pression. Si l'utilisateur ne peut pas lire ce manuel, les consignes d'utilisation et les mesures de sécurité doivent être lues et expliquées dans sa langue maternelle.



UTILISEZ L'AC1234-3(P) COMME INDIQUÉ DANS CE MANUEL. Toute utilisation de la machine non conforme à l'usage pour lequel elle a été conçue compromettra son bon fonctionnement et réduira à néant le rôle des protections fournies.



LE RÉSERVOIR SOUS PRESSION CONTIENT DU RÉFRIGÉRANT. Ne remplissez pas trop la cuve de stockage interne parce qu'un trop-plein peut provoquer une explosion susceptible de se solder par des blessures graves, voire mortelles. Ne récupérez pas les réfrigérants dans des conteneurs non réutilisables ; utilisez exclusivement des conteneurs réutilisables du type agréé munis de clapets de décharge de pression.



LES FLEXIBLES PEUVENT CONTENIR DU LIQUIDE RÉFRIGÉRANT SOUS PRESSION. Tout contact avec du réfrigérant peut provoquer des blessures, notamment la cécité et des gelures. Portez un équipement de protection, notamment des lunettes de protection et des gants de sécurité. Faites très attention lorsque vous débranchez les flexibles. Vérifiez que la phase en cours est terminée avant de débrancher la station afin d'empêcher tout dégagement de réfrigérant dans l'atmosphère.



N'INHALEZ PAS DE VAPEURS DE RÉFRIGÉRANT OU DE LUBRIFIANT. Le R1234yf réduit l'oxygène disponible dans l'air, ce qui entraîne la somnolence et des vertiges. L'exposition à de fortes concentrations de R1234yf provoque l'asphyxie, des lésions aux yeux, au nez, à la gorge et aux poumons, et peut affecter le système nerveux central. Utilisez la machine dans des endroits pourvus d'une ventilation mécanique qui renouvelle entièrement l'air au moins une fois par heure. En cas de décharge accidentelle, aérez le lieu de travail avant de reprendre les activités.

NE DISPERSEZ PAS LE RÉFRIGÉRANT DANS L'ENVIRONNEMENT. Cette précaution permet d'éviter la présence éventuelle de réfrigérant dans l'environnement de travail.



POUR RÉDUIRE LES RISQUES D'INCENDIE, n'utilisez pas la machine à proximité de conteneurs d'essence ouverts ou renversés, ou d'autres substances inflammables.

POUR RÉDUIRE LES RISQUES D'INCENDIE, n'utilisez pas de rallonge électrique. Une rallonge risque de surchauffer et de provoquer un incendie. Si l'emploi d'une rallonge est indispensable, veillez à ce qu'elle soit la plus courte possible et d'une dimension minimum de 14 AWG.

POUR RÉDUIRE LES RISQUES D'INCENDIE, n'utilisez pas la machine à proximité de flammes et de surfaces chaudes. Le réfrigérant risque de se décomposer à haute température et de dégager des substances toxiques dans l'environnement qui peuvent être nocives pour l'utilisateur.

POUR RÉDUIRE LES RISQUES D'INCENDIE, n'utilisez pas la machine dans des environnements contenant des vapeurs ou des gaz explosifs.

POUR RÉDUIRE LES RISQUES D'INCENDIE, n'utilisez pas cette machine dans des zones de catégorie ATEX. N'exposez pas la machine à des conditions susceptibles de provoquer une défaillance électrique ou d'autres risques liés à l'interaction avec l'atmosphère ambiante.



N'UTILISEZ PAS D'AIR COMPRIMÉ POUR FAIRE UN ESSAI DE PRESSION OU D'ÉTANCHÉITÉ DE LA MACHINE OU DU SYSTÈME DE CLIMATISATION DU VÉHICULE. Les mélanges d'air et de réfrigérant R1234yf peuvent être combustibles à des pressions élevées. Ces mélanges peuvent s'avérer dangereux et provoquer un incendie ou une explosion susceptible de se solder par des blessures et/ou des dommages matériels.



LA PRÉSENCE DE HAUTE TENSION DANS LA MACHINE EXPOSE L'UTILISATEUR À DES RISQUES DE CHOC ÉLECTRIQUE. Toute exposition peut provoquer des blessures. Débranchez l'alimentation avant de faire l'entretien de la machine.

NE LAISSEZ JAMAIS LA MACHINE SOUS TENSION SI UNE UTILISATION IMMÉDIATE N'EST PAS PRÉVUE. Débranchez l'alimentation électrique avant une longue période d'inactivité ou avant un entretien interne. Pour que des personnes non autorisées ne puissent pas faire fonctionner la machine, utilisez la fonction de Verrouillage/Condamnation.

NE MODIFIEZ PAS LE CLAPET DE DÉCHARGE DE PRESSION ET NE CHANGEZ PAS LES RÉGLAGES DU SYSTÈME DE COMMANDE. Toute utilisation de la machine non conforme à l'usage pour lequel elle a été conçue compromettra son bon fonctionnement et réduira à néant le rôle des protections fournies.

Consignes de sécurité

MISE EN GARDE : pour éviter d'endommager l'équipement,



POUR ÉVITER TOUTE CONTAMINATION CROISÉE, UTILISEZ EXCLUSIVEMENT CETTE MACHINE AVEC DU RÉFRIGÉRANT R1234YF. La machine est équipée de connecteurs spéciaux permettant de récupérer, recycler et recharger uniquement le réfrigérant R1234yf. N'essayez pas d'adapter la machine à l'usage d'un autre réfrigérant. Ne mélangez pas différents types de réfrigérants dans un système ou dans le même conteneur ; le mélange de réfrigérants endommagera gravement la machine et le système de climatisation du véhicule.

N'UTILISEZ PAS CETTE MACHINE SOUS LA LUMIÈRE DIRECTE DU SOLEIL. Éloignez la machine des sources de chaleur, comme la lumière directe du soleil, car elles peuvent provoquer des températures excessives. L'utilisation de cette machine dans des conditions environnementales normales (de 10 °C à 50 °C) maintient les pressions dans des limites raisonnables.



N'UTILISEZ PAS CETTE MACHINE À L'EXTÉRIEUR EN CAS DE PLUIE OU D'HUMIDITÉ ÉLEVÉE. N'exposez pas la machine à des conditions susceptibles de provoquer une défaillance électrique ou d'autres risques liés à l'interaction avec l'atmosphère ambiante.

N'UTILISEZ PAS CETTE MACHINE DANS DES ZONES EXPOSÉES À DES RISQUES D'EXPLOSION.

INSTALLEZ LA MACHINE SUR UNE SURFACE PLANE ET DANS UNE ZONE DISPOSANT D'UN ÉCLAIRAGE SUFFISANT. BLOQUEZ LES ROUES AVANT ET VEILLENZ À CE QUE LA MACHINE NE SOIT PAS EXPOSÉE À DES VIBRATIONS.

Vous pouvez obtenir de plus amples renseignements sur la santé et la sécurité auprès du fabricant du réfrigérant.

Dispositifs de protection

La machine Robinair n° AC1234-3(P) est équipée des dispositifs de protection suivants :

- clapets de surpression ;
- un pressostat maximum arrête le compresseur lorsqu'une pression excessive est détectée.



AVERTISSEMENT : le fait de trafiquer ces dispositifs de protection peut entraîner des blessures graves.

Test du réservoir de réfrigérant

Les rapports officiels et les tests récurrents nécessaires pour les instruments sous pression sont régis par la législation et/ou les réglementations nationales en fonction du pays d'utilisation du réservoir de réfrigérant. Le gestionnaire du système est responsable du respect des lois, réglementations et règles techniques. Dans des conditions normales d'utilisation, les réservoirs de réfrigérant ne requièrent aucun entretien. Reportez-vous à la section « Entretien » de ce manuel pour de plus amples informations.

La station Robinair n° AC1234-3(P) est utilisée sur les véhicules équipés de R1234yf. Elle a été conçue pour être compatible avec les équipements de réparation actuels et les procédures d'entretien standard. Cette machine utilise un système à un seul passage (c'est-à-dire que le réfrigérant ne s'écoule qu'une seule fois à travers un filtre) conforme aux spécifications relatives au réfrigérant recyclé. Respectez les procédures d'entretien recommandées pour le confinement du R1234yf.

Remarque : les systèmes R1234yf requièrent l'utilisation d'huiles spéciales. Reportez-vous au manuel d'entretien du fabricant du système de climatisation pour connaître les spécifications de l'huile.

Spécifications techniques

Compresseur	1/4 HP
Dimensions	107 cm x 61 cm x 76 cm
Écran	3,94 x 6,34 cm VA graphique LCD
Filtre	150 kg
Humidité	32,2 °C (90 °F), 80 % HR sans condensation
Manomètre	Ø 63 mm
Pression maximum	18 bars
Bruit	<70 dB(A)
Tension nominale	230 V, 50/60 Hz
Réservoir d'huile	355 ml
Température de fonctionnement	de 10 °C à 50 °C
Consommation électrique	1 100 VA
Débattement d'air libre de la pompe	2,5 CFM (70l/m) 50 Hz
Flexibles de service	250 cm/SAE J2888
Capacité du réservoir	8,50 kg (18,74 lb)
Poids	67 kg

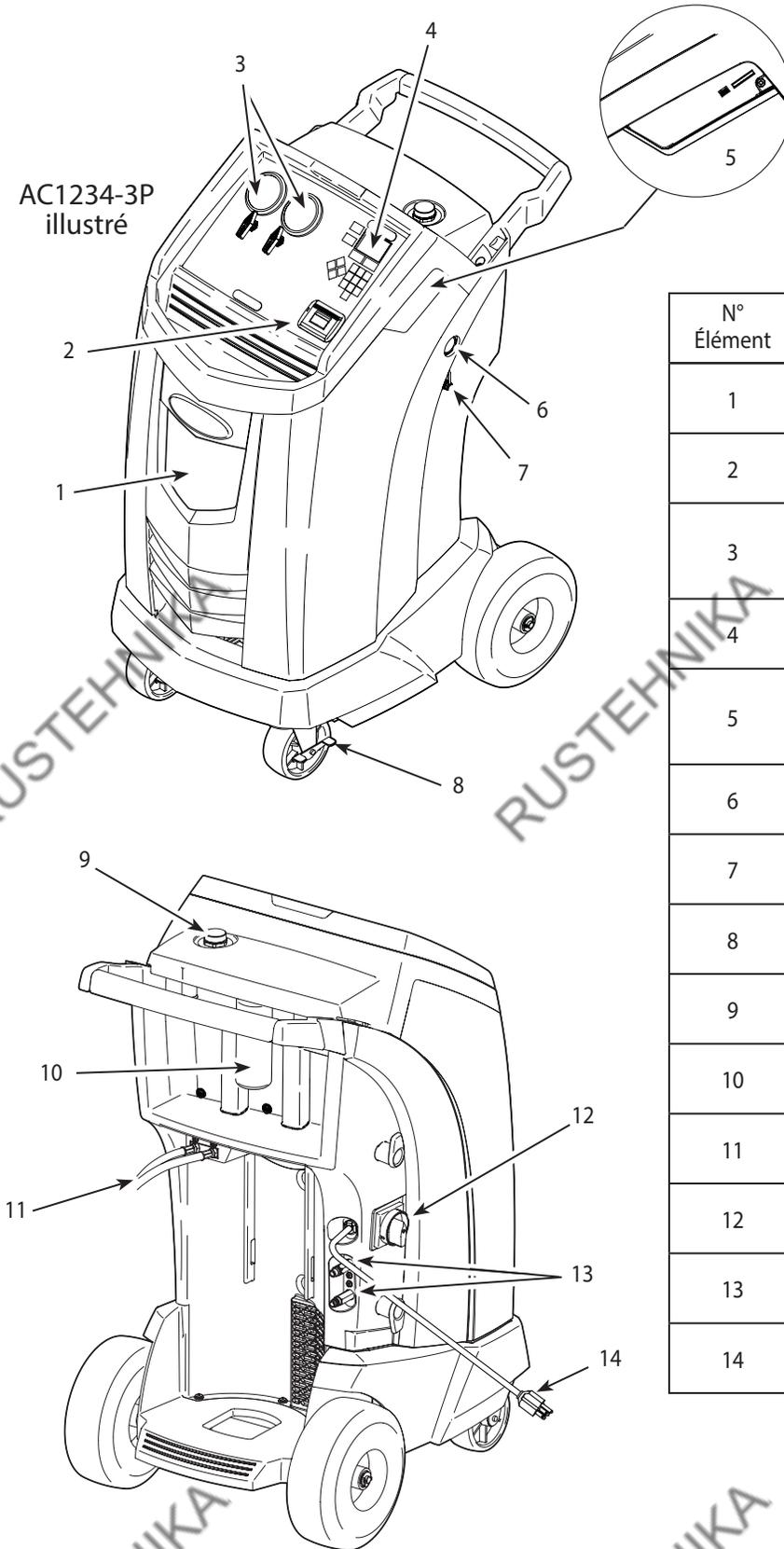


AC1234-3 illustré

Introduction

Caractéristiques de l'AC1234-3(P)

AC1234-3P
illustré



N° Élément	Description
1	Bouteille de vidange d'huile
2	Imprimante (AC1234-3P uniquement)
3	Jauges collectrices côté basse pression (bleu) et côté haute pression (rouge) et vannes du panneau
4	Écran graphique et clavier
5	Connexions clé USB et carte SD ; 2 224 V _{RMS} double isolation des conduites principales
6	Indicateur de niveau d'huile de pompe à vide
7	Raccord de vidange d'huile de pompe à vide
8	Verrouillage de roue
9	Bouchon et orifice de remplissage d'huile de la pompe à vide
10	Bouteille d'injection d'huile
11	Flexibles de service
12	Interrupteur d'alimentation/verrouillage/condamnation
13	Orifices de stockage des flexibles de service
14	Cordon d'alimentation

Fonctions du panneau de commande

LA FLÈCHE VERS LE HAUT déplace la sélection d'une rubrique du menu vers la rubrique précédente et augmente le volume audio.

LA FLÈCHE VERS LE BAS déplace la sélection d'une rubrique du menu vers la rubrique suivante et diminue le volume audio.

LA FLÈCHE VERS LA DROITE permet de passer à l'écran suivant et de faire défiler rapidement la vidéo vers l'avant.

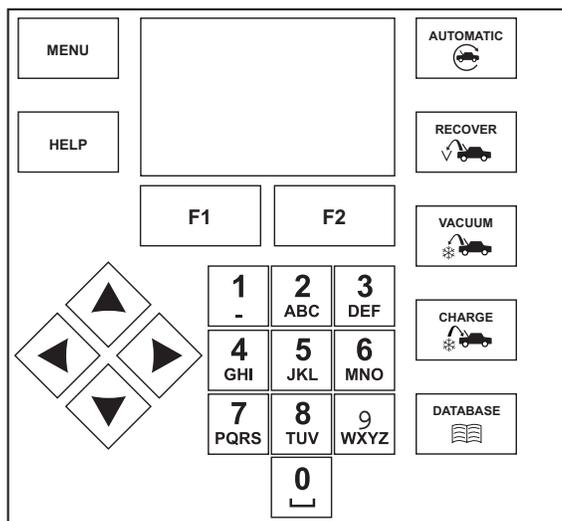
LA FLÈCHE VERS LA GAUCHE permet de revenir à l'écran précédent et de faire défiler rapidement la vidéo vers l'arrière.

F1 permet de faire une sélection ou de répondre à une question.

F2 permet de faire une sélection ou de répondre à une question.

HELP (AIDE) affiche des informations sur l'écran ouvert.

MENU permet d'accéder à des fonctions et des paramètres supplémentaires.



Clavier du panneau de commande



AUTOMATIC active un menu qui aide l'utilisateur à configurer automatiquement une récupération, un vide, un essai d'étanchéité ou une séquence de charge.



RECOVER (RÉCUPÉRATION) active la séquence de récupération du réfrigérant du système de climatisation du véhicule.



VACUUM (VIDE) active la séquence qui déclenche un vide profond du système de climatisation du véhicule afin d'éliminer l'air et l'humidité.



CHARGE active la séquence de charge du système de climatisation du véhicule avec une quantité programmée de réfrigérant.



DATABASE (BASE DE DONNÉES) fournit des renseignements sur la capacité de charge par modèle de véhicule.

Introduction

Fonctions du menu Configuration

Pour accéder aux fonctions suivantes, appuyez sur la touche Menu et sélectionnez Configuration.

Contr. calibrage

Permet de vérifier le calibrage de la balance interne. Reportez-vous à Contrôle du calibrage dans la section Maintenance de ce manuel d'utilisation.

Éditer titre impression

Programme les informations qui s'afficheront sur l'impression chaque fois qu'une fonction d'impression sera utilisée.

Maintenance du filtre

Le filtre élimine l'acide, les particules et l'humidité du réfrigérant. Pour se conformer aux exigences, il est obligatoire de remplacer le filtre au bout de 150 kg (331 lb) de filtration de réfrigérant.

Cette rubrique affiche la capacité de filtration restante jusqu'à ce que la machine se bloque et cesse de fonctionner. Reportez-vous à Maintenance du filtre dans la section Maintenance.

Nettoyer tuyaux

Rinçage de l'huile résiduelle des flexibles de la machine pour la préparer à l'entretien du prochain véhicule.

Ajust. inject. huile

Certaines variables affectent la précision d'injection d'huile. Utilisez cette rubrique pour ajuster le facteur de correction d'injection d'huile en cas d'utilisation d'huiles à très haute ou très faible viscosité ou si la machine fonctionne à des températures ambiantes très élevées ou très basses. Reportez-vous à Ajustement de l'injection d'huile dans la section Maintenance du manuel pour de plus amples informations.

Menu Production

Réservé exclusivement à la production Robinair.

Maintenance pompe

Affiche le temps restant jusqu'à la prochaine vidange d'huile de la pompe à vide. Pour garantir les meilleures performances de la pompe à vide, vidangez l'huile de la pompe à vide à chaque fois que vous remplacez le filtre. Reportez-vous à Vidange d'huile de la pompe à vide dans la section Maintenance.

Gestion du réfrigérant

Affiche la quantité de réfrigérant récupérée, chargée, remplie (pendant la durée de vie de la machine) et filtrée depuis le dernier remplacement du filtre.

Sélectionner langue

Sélectionne la langue d'affichage des écrans. L'anglais est la langue par défaut.

Menu Service

Réservé exclusivement au centre d'assistance Robinair.

Sélectionner unités

Programme la machine pour qu'elle affiche les unités de mesure en kilogrammes ou en livres. L'affichage par défaut est en kilogrammes.

Régler la date et l'heure

Programme la date et l'heure de la machine.

Rinçage du système

Permet de disposer d'une méthode d'élimination de l'huile en forçant le réfrigérant liquide par un système de climatisation ou les composants d'un système de climatisation. Après rinçage, le réfrigérant est récupéré par la machine et filtré par le circuit de recyclage.

Infos

Affiche le niveau de révision du logiciel de la machine.

Rempl réserv

Cette rubrique du menu Configuration permet de transférer le réfrigérant d'un réservoir source vers la bouteille de récupération. Il est possible d'augmenter ou de diminuer la valeur de remplissage du réservoir en fonction des exigences de l'utilisateur. Reportez-vous à Remplissage du réservoir dans la section Maintenance.

Activation station

Si la machine n'est pas enregistrée et activée dans les 30 jours suivant le démarrage initial, elle se bloquera et ne fonctionnera plus. Sélectionnez cette rubrique du menu Configuration et suivez les indications données par les messages d'invite avant l'expiration de la période d'essai.

Voir données de service

Affiche les informations sur le véhicule qui ont été saisies sur l'écran Saisir données d'entretien. Les véhicules sont affichés par date d'entretien et Numéro d'identification du véhicule (NIV). La base de données contient 25 entrées NIV mémorisées.

Configuration initiale

Déballage de la machine

1. Enlevez les bandes de la boîte.
2. Enlevez le rabat supérieur en carton, la protection en pâte moulée et les cornières.
3. Enlevez la gaine du plateau inférieur en carton.
4. Faites rouler doucement le groupe vers l'avant et enlevez la palette, en évitant d'exposer la machine à des chocs soudains.

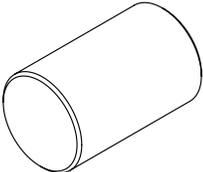
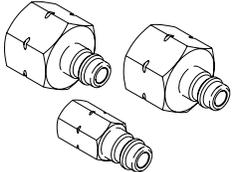
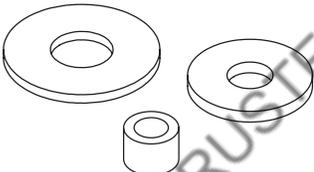


AVERTISSEMENT : pour éviter toute blessure corporelle lors de la manipulation du réfrigérant, veuillez lire et respecter les consignes et avertissements reportés dans ce manuel, et porter un équipement de protection, notamment des lunettes et des gants.

Déballage du kit d'accessoires

Déballer le kit d'accessoires de la boîte et enlevez l'emballage en plastique.

Kit d'accessoires

Poids de calibrage 533 g		Adaptateurs des flexibles de remplissage du réservoir (3)	
Joints (3)		Pochette contenant le manuel d'utilisation, le bon de garantie à remplir et renvoyer par la poste, les fiches techniques santé-sécurité applicables et la liste des centres d'assistance.	

Mise sous tension de la machine

1. Déroulez le cordon d'alimentation de la poignée et branchez-le sur une prise mise à la terre dont la tension est adéquate.
2. Positionnez la machine de manière à ce que l'utilisateur puisse accéder facilement à la prise et à l'interrupteur d'alimentation. Vérifiez que les événements du ventilateur à l'arrière de la machine ne sont pas bouchés.
3. Bloquez les roues avant.
4. Tournez l'interrupteur d'alimentation dans le sens horaire pour mettre la machine en marche. Reportez-vous à la figure 1.

La machine démarre en mode de Configuration initiale.

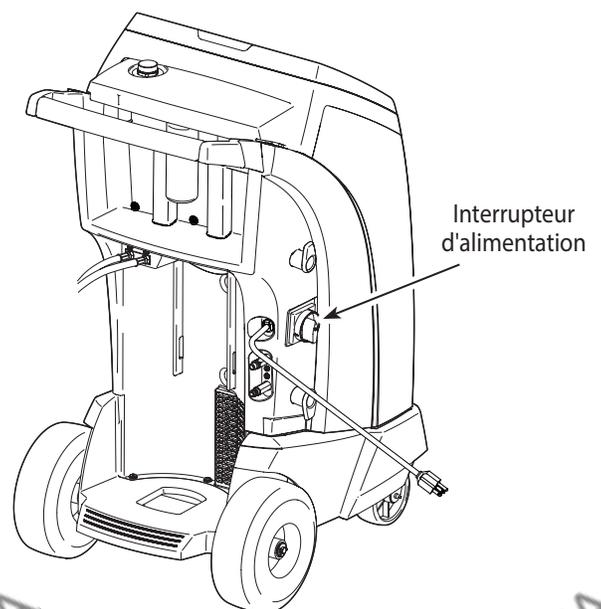


Figure 1

Configuration initiale

Sélectionner langue

L'utilisateur sélectionne la langue d'affichage des messages sur l'écran. L'anglais est la langue par défaut.

1. Utilisez la touche fléchée vers le HAUT ou vers le BAS pour faire défiler ligne par ligne les différentes langues disponibles.
2. Appuyez sur F1 pour sélectionner la langue.

Remarque : pour mettre à jour une langue existante ou ajouter une nouvelle langue, référez-vous à Chargement d'une langue dans la section Maintenance de ce manuel.

Sélectionner unités

L'utilisateur règle l'affichage des unités de mesure. Le réglage par défaut est le système métrique.

1. Utilisez la touche fléchée vers le HAUT ou vers le BAS pour commuter entre les unités anglo-saxonnes et le système métrique.
2. Appuyez sur F1 pour sélectionner les unités de mesure affichées.

Régler la date et l'heure

Utilisez les touches fléchées pour déplacer le curseur. Utilisez le clavier pour modifier les informations affichées.

1. Utilisez les touches fléchées vers le HAUT et vers le BAS pour sélectionner la donnée à modifier : jour, mois, année ou heure.
2. Utilisez l'interface de frappe sur le clavier numérique pour modifier les informations :
3. Appuyez sur F1 pour enregistrer.

Éditer titre impression

Cette machine peut mémoriser des informations sur la récupération, le vide, la charge et le rinçage concernant 25 véhicules. Les informations entrées dans Éditer titre impression s'affichent sur chaque impression. Pour ajouter une imprimante à la machine, référez-vous à Installation d'une imprimante dans la section Maintenance de ce manuel.

1. Pour saisir le texte, utilisez les touches fléchées et l'interface de frappe sur le clavier numérique :
 - la flèche vers la GAUCHE sert de touche de retour en arrière.
 - La flèche vers la DROITE déplace le curseur à droite.
 - La touche ZÉRO (0) sert de barre d'espace.
 - Les touches fléchées vers le HAUT et vers le BAS permettent de naviguer entre les différentes lignes.
2. Appuyez sur F1 pour poursuivre ; appuyez sur F2 pour revenir au titre précédent.

Vide service

À ce stade, la machine effectue le nettoyage de sa plomberie interne avant de poursuivre.

1. Contrôlez l'indicateur de niveau d'huile de la pompe à vide et vérifiez que le niveau d'huile se trouve au centre de l'indicateur de niveau.
2. Quand vous y êtes invité, branchez les flexibles de service de la machine sur leurs orifices de stockage, comme illustré sur la figure 2.
3. Ouvrez les coupleurs des flexibles de service en tournant les colliers dans le sens horaire.
4. Appuyez sur F1. La machine effectue un nettoyage de sa plomberie interne puis une alarme retentit à la fin du processus.

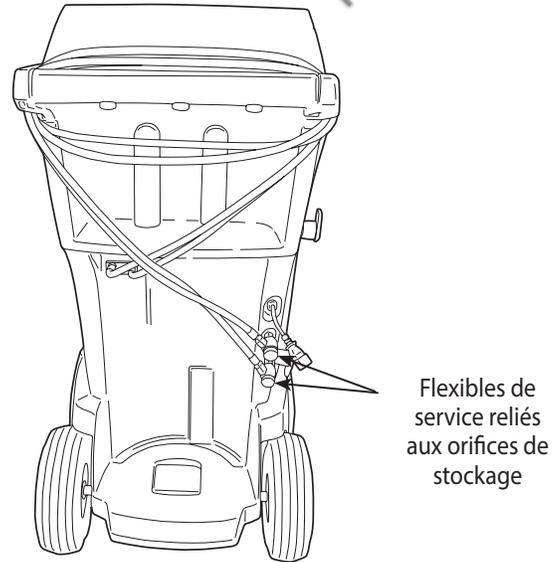


Figure 2

Rempl réserv

Cette procédure transfère le réfrigérant d'un réservoir source vers la bouteille de récupération de la machine. La capacité maximum de la bouteille de récupération est de 8,5 kg. Utilisez les touches fléchées pour déplacer le curseur ; utilisez le clavier pour saisir une valeur.

1. La machine affiche les champs relatifs à la contenance du réservoir, au réfrigérant qui peut être chargé et à la quantité de réfrigérant pouvant être récupéré dans la bouteille de récupération. Saisissez la contenance du réservoir. Remarque : ajoutez au moins 3,6 kg de réfrigérant afin de garantir une quantité suffisante de réfrigérant disponible pour la charge.
2. Branchez le flexible côté basse pression (bleu) sur le connecteur de liquide du réservoir source.
3. Ouvrez la vanne côté basse pression (bleu) sur le panneau de commande.
4. Ouvrez la vanne du coupleur sur le flexible en tournant le collier dans le sens horaire.
5. Ouvrez la vanne du réservoir source.
6. Positionnez le réservoir source de manière à ce que l'alimentation en réfrigérant liquide arrive à la connexion.
7. Appuyez sur F1 pour démarrer le processus de remplissage du réservoir. La machine commence à remplir la bouteille de récupération. Ajoutez au moins 3,6 kg de réfrigérant afin de garantir une quantité suffisante de réfrigérant disponible pour la charge. Cette procédure demande 15 à 20 minutes.

Remarque :

quantité rechargeable : la quantité de réfrigérant dans la bouteille de récupération qui peut être chargée dans le système de climatisation du véhicule.

Quantité récupérable : la quantité de réfrigérant supplémentaire qui peut être récupérée dans la bouteille de récupération.

Configuration initiale

Remplissage du réservoir (suite)

8. La machine s'arrête lorsque la quantité prééglée de réfrigérant a été transférée dans la bouteille de récupération ou lorsque le réservoir source est vide. Suivez les messages qui s'affichent sur l'écran.
9. Fermez la vanne côté basse pression (bleu) sur le panneau de commande.
10. Fermez la vanne du coupleur de flexible en tournant le collier dans le sens anti-horaire.
11. Fermez la vanne du réservoir source.
12. Appuyez sur F2 pour revenir au menu Configuration.

La machine est prête à l'emploi.

Remarque :

- la balance n'a pas besoin d'être calibrée ; elle est calibrée à l'usine.
- Après le remplissage du réservoir, la quantité indiquée sur l'écran ne sera pas identique à celle du niveau de remplissage programmé.

La quantité affichée et disponible pour le chargement est inférieure d'environ 0,91 kg à la quantité totale de réfrigérant dans le réservoir.

Activation station

Si la machine n'est pas enregistrée et activée dans les 30 jours suivant le démarrage initial, elle se bloquera et ne fonctionnera plus.

1. Sélectionnez Activation station dans le menu Configuration. La machine affiche

XX JOURS RESTANTS DE LA PÉRIODE D'ESSAI POUR
ACTIVER LA STATION. ACTIVER MAINTENANT ?

2. Appuyez sur F1 pour démarrer le processus d'activation. La machine affiche

CODE PRODUIT PERSONNEL
XXXXXXXXXXXX
[HTTPS://REGISTER.SERVICESOLUTIONSPORTAL.COM](https://register.servicesolutionsportal.com)
POUR CODE D'ACTIVATION

3. Ouvrez un navigateur Internet sur votre ordinateur personnel et saisissez l'adresse Web reportée à l'étape 2.
4. Saisissez votre nom d'utilisateur et votre mot de passe, puis connectez-vous au site Internet. Remarque : si vous vous connectez pour la première fois, cliquez sur le bouton REGISTER pour créer un nom d'utilisateur et un mot de passe.
5. Saisissez le Code produit personnel de votre machine pour recevoir un code d'activation.
6. Sur l'AC1234-3(P), appuyez sur F1. La machine affiche

CODE PRODUIT PERSONNEL
XXXXXXXXXXXX
SAISIR CODE :
XXXXXXXXXXXXXXXXXXXX

Saisissez le code d'activation dans le champ correct. Remarque : saisissez le code exactement tel qu'il vous a été envoyé. Des lettres majuscules sont nécessaires.

7. Notez le code d'activation sur un bout de papier et rangez-le dans un endroit sûr. Appuyez sur F1.
8. La machine affiche

ACTIVATION RÉUSSIE.

Appuyez sur F1. L'AC1234-3(P) a été activé.

Saisir données d'entretien

Après avoir sélectionné une fonction d'entretien, des informations sur le véhicule peuvent être saisies et mémorisées dans la base de données de la machine.

1. La machine affiche

SAISIR NOUVELLES DONNÉES D'ENTRETIEN

2. Appuyez sur F1 pour saisir une nouvelle donnée ou faites défiler les écrans pour sélectionner un véhicule dont l'entretien a été effectué précédemment et appuyez sur F1. La machine affiche

SAISIR DONNÉES D'ENTRETIEN

NIV : _____

KILOMÉTRAGE : _____

MARQUE : _____

MODÈLE : _____

3. Utilisez les touches fléchées pour vous déplacer entre les lignes, et le clavier pour saisir du texte.

Les informations saisies sur cet écran sont mémorisées par date et numéro d'identification du véhicule (NIV). La base de données mémorise les 25 entrées les plus courantes, la plus récente étant en haut de la liste.

Les informations s'afficheront également sur les imprimés récapitulatifs d'entretien en cas d'utilisation de la machine AC1234-3P.



Récupération de réfrigérant d'un véhicule

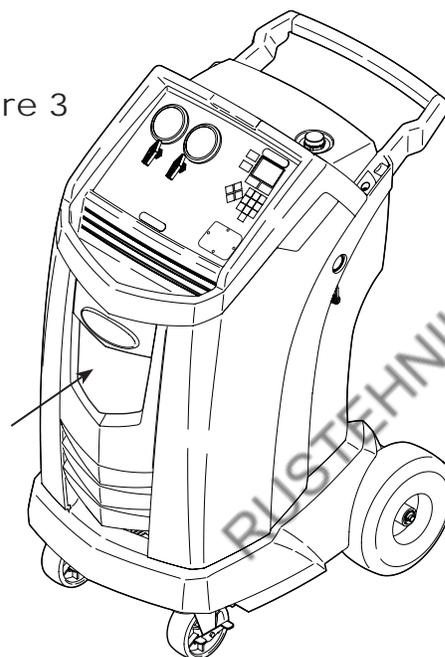
1. Videz la bouteille de vidange d'huile avant d'entamer une récupération. Enlevez la bouteille de vidange d'huile de la machine en tirant celle-ci tout droit vers le bas ; ne faites pas de mouvement rotatif ou basculant. Reportez-vous à la figure 3.
2. Branchez les flexibles côté haute pression (rouge) et côté basse pression (bleu) sur le système de climatisation du véhicule.
3. Ouvrez les vannes du coupleur sur les flexibles en tournant les colliers dans le sens horaire.
4. Ouvrez les vannes côté haute pression et basse pression sur le panneau de commande de la station.
5. Appuyez sur le bouton RECOVER (RÉCUPÉRATION) sur le panneau de commande. Reportez-vous à la figure 4.
6. Appuyez sur F1. La machine lance le processus de récupération. Le dé clic indique que le solénoïde s'ouvre et se ferme ; ceci est normal.
7. La machine exécute un cycle d'auto-nettoyage pour éliminer tout reste de réfrigérant de sa plomberie interne.
8. Lorsque le système a atteint 0,45 bar (13 in/Hg), la récupération est terminée.



AVERTISSEMENT : pour éviter toute blessure corporelle lors de la manipulation du réfrigérant, veuillez lire et respecter les consignes et avertissements reportés dans ce manuel, et porter un équipement de protection, notamment des lunettes et des gants.



Figure 3



Bouteille de vidange d'huile

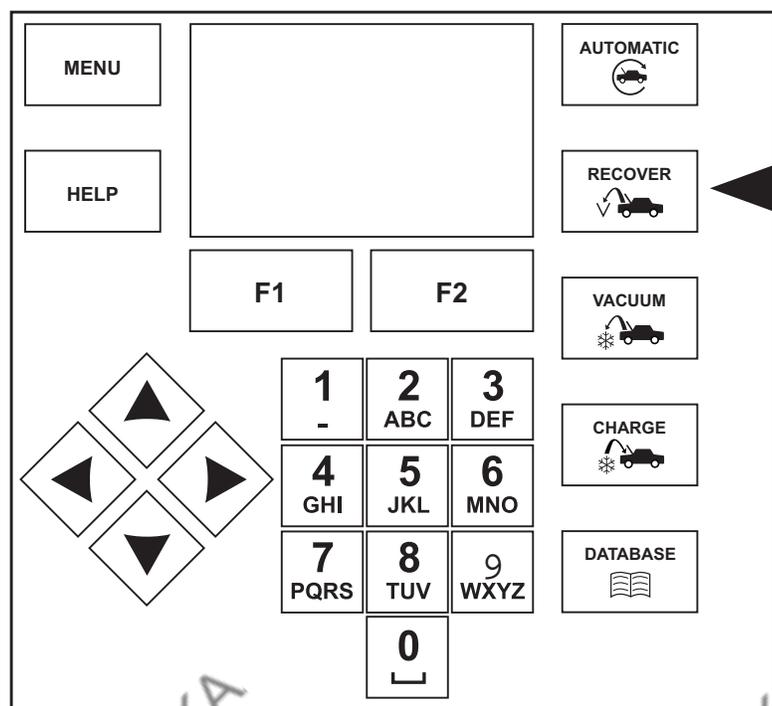


Figure 4

Consignes d'utilisation — Récupération

Récupération de réfrigérant d'un véhicule (suite)

9. À la fin de la récupération, la machine effectue une vidange d'huile ; cette opération peut prendre jusqu'à 90 secondes.
10. Après la vidange d'huile, un récapitulatif du gaz récupéré et de l'huile vidangée s'affiche. Si vous avez acheté l'AC1234-3P, vous pouvez imprimer les informations sur la récupération et les diagnostics préalables à la récupération en sélectionnant F1. Appuyez sur F2 pour revenir à l'écran Sélectionner action.

Remarque : le poids de récupération affiché peut varier en fonction des conditions ambiantes et ne doit pas servir d'indicateur de précision de la balance.
11. La quantité d'huile qui a été enlevée du système de climatisation correspond à la quantité de nouvelle huile qui peut être chargée dans le système de climatisation après l'évacuation.
 - Utilisez exclusivement de l'huile neuve pour remplacer l'huile enlevée pendant le processus de recyclage.
 - Mettez l'huile usagée au rebut conformément à la réglementation nationale.

La récupération est terminée.

MISE EN GARDE : pour éviter tout dégagement de réfrigérant dans l'atmosphère, laissez la machine refroidir pendant 30 minutes—alimentation sur ON—entre deux récupérations lorsque la température ambiante dépasse 40 °C (104 °F).

Un purgeur d'air est utilisé pour évacuer automatiquement les non-condensables de la bouteille de récupération. Des récupérations consécutives à des températures ambiantes trop élevées peuvent provoquer une augmentation rapide de la pression du réservoir, donc un déclenchement indésirable de ce purgeur. Cela peut se solder par une perte excessive de réfrigérant.



Évacuation du système de climatisation du véhicule

1. Branchez les flexibles de service sur les orifices d'entretien du véhicule.
2. Ouvrez les vannes du coupleur de flexible de service en tournant les colliers dans le sens horaire.
3. Ouvrez les vannes côté haute pression et basse pression sur le panneau de commande de la station.
4. Appuyez sur VACUUM (VIDE).
5. Appuyez sur F1 pour accepter la durée d'évacuation par défaut de 15 minutes, ou saisissez la durée de vide souhaitée à l'aide des touches numériques. Appuyez sur F1.

Remarque : le processus de vide s'arrêtera si la pression passe au-dessus de 0,35 bar (5 psi). Récupérez le réfrigérant avant de poursuivre.

6. La machine applique un vide sur le système de climatisation pendant le délai programmé.
7. La machine s'arrête lorsque le délai indiqué s'est écoulé.
Si vous avez acheté le modèle AC1234-3P, vous pouvez imprimer les informations sur le vide en sélectionnant F1.
Appuyez sur F2 pour revenir à l'écran Sélectionner action.



AVERTISSEMENT : pour éviter toute blessure corporelle lors de la manipulation du réfrigérant, veuillez lire et respecter les consignes et avertissements reportés dans ce manuel, et porter un équipement de protection, notamment des lunettes et des gants.

Consignes d'utilisation — Rinçage des flexibles

Rinçage des flexibles

Si le véhicule suivant à entretenir contient un type d'huile différent de celui du véhicule précédent, il est conseillé de rincer l'huile résiduelle des flexibles de service pour éviter toute contamination.

1. Sélectionnez RINCER FLEXIBLES depuis le menu Configuration. La machine affiche

BRANCHER FLEXIBLES SUR ORIFICES DE STOCKAGE ET OUVRIR VANNES.

2. Branchez les flexibles de service sur les connexions des orifices de stockage de la machine, comme illustré sur la figure 5.
3. Ouvrez les vannes du coupleur de flexible de service en tournant les colliers dans le sens horaire.
4. Ouvrez les vannes côté haute pression et basse pression sur le panneau de commande de la station.
5. Appuyez sur F1 pour lancer le processus de rinçage des flexibles, qui dure trois minutes et est suivi d'une récupération.
6. À la fin du processus de rinçage des flexibles, le message suivant s'affiche

RINÇAGE FLEXIBLES TERMINÉ

Appuyez sur F2 pour quitter et revenir au menu Configuration.

7. Fermez les vannes du coupleur en tournant les colliers dans le sens anti-horaire.
8. Fermez les vannes sur le panneau de commande de la station.



AVERTISSEMENT : pour éviter toute blessure corporelle lors de la manipulation du réfrigérant, veuillez lire et respecter les consignes et avertissements reportés dans ce manuel, et porter un équipement de protection, notamment des lunettes et des gants.

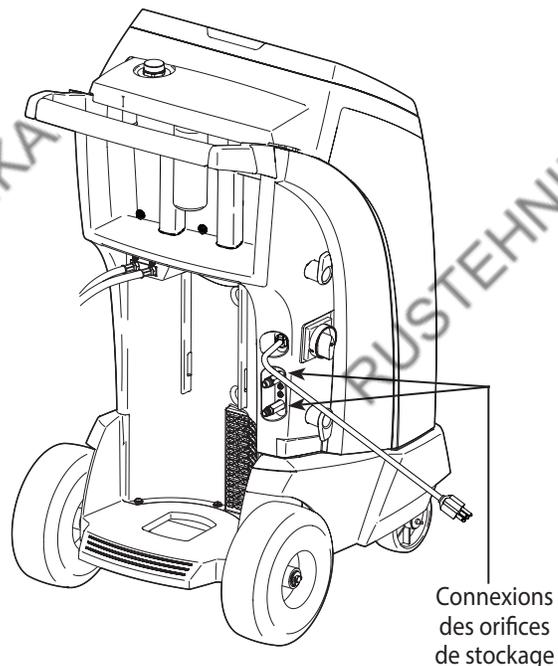


Figure 5



Recharge du système de climatisation du véhicule

Des essais d'étanchéité automatiques sont réalisés pendant le processus de CHARGE. Pour éviter de faux échecs, les températures du système du véhicule et de la station de récupération doivent être à ± 5 degrés C.

1. Branchez les deux flexibles de service sur les orifices d'entretien du véhicule. Ouvrez les deux vannes côté haute pression et basse pression sur le panneau.
2. Appuyez sur CHARGE. L'écran affiche

RÉFRIGÉRANT : 00,0000 KG
HUILE : 000 ML
SÉLECTIONNER TOUCHE MENU
POUR CHANGER UNITÉ

3. Utilisez les touches fléchées et le clavier numérique pour saisir la quantité de charge désirée.
4. Appuyez sur F1 pour démarrer le processus de charge. Lorsque la machine a effectué un essai d'étanchéité de pré-charge, elle vous invite à sélectionner le côté de charge. Remarque : seule une charge côté haute pression ou des deux côtés peut être effectuée si de l'huile est également injectée.
 - Charge côté haute pression : vérifiez que la vanne côté haute pression (rouge) sur le panneau et que les deux coupleurs de flexibles de service sont ouverts. Fermez la vanne côté basse pression (bleu) sur le panneau.
 - Charge côté basse pression : vérifiez que la vanne côté basse pression (bleu) sur le panneau et que les deux coupleurs de flexibles de service sont ouverts. Fermez la vanne côté haute pression (rouge) sur le panneau.
 - Charge des deux côtés : vérifiez que les deux vannes sur le panneau et les coupleurs de flexibles de service sont ouverts.
5. Appuyez sur F1 pour poursuivre le processus de charge. Le fait de déplacer ou de heurter la machine à ce stade peut entraîner une charge inexacte. Lorsque le cycle de charge s'approche de la valeur de poids souhaitée, la machine ralentit. Celle-ci chargera, ralentira, chargera de nouveau, ralentira, etc.
6. Lorsque vous y êtes invité, fermez les coupleurs de service ouverts. Toutefois, les vannes ouvertes sur le panneau doivent rester ouvertes. Enlevez les flexibles de service du système de climatisation et installez les flexibles sur les orifices de stockage de la machine. Appuyez sur F1 pour nettoyer les flexibles.
7. Lorsque le message CHARGE TERMINÉE s'affiche sur l'écran, il est accompagné d'un récapitulatif des résultats de charge. Si vous utilisez le modèle AC1234-3P, vous pouvez imprimer ce récapitulatif en appuyant sur F1. Appuyez sur F2 pour revenir à l'écran Sélectionner action.
8. Fermez les vannes du panneau. Le système de climatisation du véhicule est désormais prêt à l'emploi.



AVERTISSEMENT : pour éviter toute blessure corporelle lors de la manipulation du réfrigérant, veuillez lire et respecter les consignes et avertissements reportés dans ce manuel, et porter un équipement de protection, notamment des lunettes et des gants.

Remarque : le processus de charge diffère d'un véhicule à l'autre. La fonction de charge des véhicules équipés d'un seul raccord d'entretien doit être effectuée manuellement. Consultez les consignes spécifiques reportées dans le manuel d'entretien du véhicule.

MISE EN GARDE : si les vannes de coupleur côté basse pression (bleu) ou haute pression (rouge) reste ouvertes et sont connectées pendant le processus de nettoyage des flexibles, le système fera ressortir le réfrigérant du véhicule.

Consignes d'utilisation — Automatique



Fonction automatique

La fonction AUTOMATIQUE permet à l'utilisateur d'effectuer une récupération, un vide, un essai d'étanchéité et/ou une séquence de charge automatique. L'exécution d'une séquence automatique peut prendre au total une heure.

1. Branchez les flexibles de service côté haute pression (rouge) et basse pression (bleu) sur le système de climatisation.
2. Ouvrez les vannes du coupleur de flexible de service en tournant les colliers dans le sens horaire.
3. Ouvrez les deux vannes côté haute pression et basse pression sur le panneau de commande de la station.
4. Appuyez sur AUTOMATIC. Suivez les consignes affichées au fur et à mesure que la station effectue le cycle automatique. Pendant la charge, respectez les consignes spécifiques à la charge reportées dans ce manuel.
5. Quand vous y êtes invité, fermez les coupleurs de flexible de service en tournant les colliers dans le sens anti-horaire. Toutefois, les vannes ouvertes sur le panneau doivent rester ouvertes.
6. Enlevez les flexibles de service du système de climatisation et installez les flexibles sur les orifices de stockage de la machine. Appuyez sur F1 pour nettoyer les flexibles. Cette opération prépare la machine pour l'entretien suivant.
7. Lorsque le message CHARGE TERMINÉE apparaît, l'écran affiche un récapitulatif des résultats de charge. Si vous utilisez le modèle AC1234-3P, vous pouvez imprimer ce récapitulatif en appuyant sur F1. Appuyez sur F2 pour revenir à l'écran Sélectionner action.
8. À ce stade, fermez les vannes sur le panneau.



AVERTISSEMENT : pour éviter toute blessure corporelle lors de la manipulation du réfrigérant, veuillez lire et respecter les consignes et avertissements reportés dans ce manuel, et porter un équipement de protection, notamment des lunettes et des gants.

Informations sur la fonction automatique

- La fonction CHARGE pour les véhicules équipés d'un seul raccord d'entretien doit être effectuée manuellement conformément aux procédures reportées dans le manuel d'entretien du fabricant du véhicule.
- La quantité d'huile récupérée pendant la phase de RÉCUPÉRATION est injectée automatiquement avant le cycle de CHARGE.
- Si la RÉCUPÉRATION n'a pas été effectuée, il est possible de saisir la quantité d'huile à injecter tout en programmant les renseignements de CHARGE.
- Si des problèmes surviennent pendant la séquence automatique, un signal d'alarme retentit trois fois. La séquence reste en mode pause jusqu'à ce que l'utilisateur prenne une décision sur la marche à suivre.
- L'essai d'étanchéité en précharge est automatique.

Rinçage du système

La fonction de RINÇAGE DU SYSTÈME est effectuée à l'aide d'un adaptateur de rinçage agréé par le fabricant du véhicule. Consultez également les consignes fournies avec l'adaptateur au fur et à mesure de l'exécution des étapes suivantes.

1. Vérifiez que le filtre et le tamis du rinceur ne sont pas colmatés.
2. Installez le rinceur à l'arrière de la station Robinair. N'effectuez aucune connexion pour l'instant.
3. Retirez la bouteille de vidange d'huile (voir figure 6) de la station Robinair. Videz la bouteille d'huile et mettez l'huile usagée au rebut conformément à la réglementation en vigueur dans votre pays. Remettez la bouteille de vidange d'huile sur la machine.
4. Récupérez tout le réfrigérant du système à rincer.
5. Notez la quantité d'huile recueillie au cours de la récupération. Cette quantité doit être remplacée, ainsi que toute huile recueillie pendant le rinçage.

Remarque : la quantité d'huile recueillie et indiquée pendant le Rinçage du Système ne comprend pas la quantité d'huile recueillie au cours de la récupération initiale.

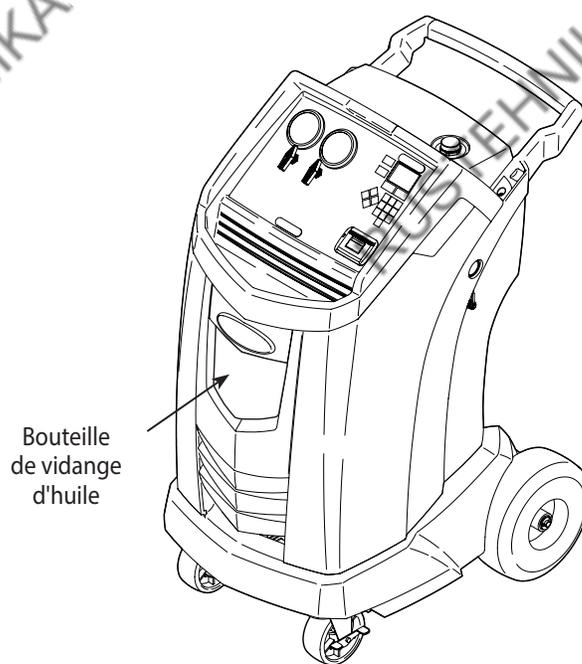
6. Vérifiez qu'il y a au moins 6,0 kg (13,2 lb) de réfrigérant dans la station Robinair. La machine ne sera pas en mesure d'effectuer un rinçage du système sans au moins 6,0 kg de réfrigérant dans la bouteille de récupération.

Remarque : si la machine ne contient pas au moins 6,0 kg (13,2 lb) de réfrigérant, référez-vous à la section de ce manuel intitulée Remplissage du réservoir.

7. Débranchez la station Robinair du véhicule.
8. Consultez le manuel d'entretien du véhicule et branchez les adaptateurs de rinçage et les dérivations appropriés.
9. Branchez le flexible de service côté basse pression (bleu) directement sur le filtre du kit de rinçage.
10. Enlevez le coupleur de service côté haute pression (rouge) et branchez le flexible de service côté haute pression (rouge) sur l'adaptateur de la conduite d'aspiration du système.
11. Utilisez le flexible fourni pour brancher l'adaptateur de décharge du système sur l'entrée du rinceur.
12. Branchez les flexibles en respectant les consignes qui accompagnent le kit de rinçage.
13. Sélectionner Rinçage du système depuis le menu Configuration. La machine vous invite à vérifier que le kit de rinçage est branché correctement et à ouvrir les deux vannes du panneau. Appuyez sur F1 pour poursuivre.
14. Acceptez la période de vide par défaut ou programmez une période plus longue. Appuyez sur F1.



AVERTISSEMENT : pour éviter toute blessure corporelle lors de la manipulation du réfrigérant, veuillez lire et respecter les consignes et avertissements reportés dans ce manuel, et porter un équipement de protection, notamment des lunettes et des gants.



Bouteille de vidange d'huile

Figure 6

Consignes d'utilisation — Rinçage du système

Rinçage du système (suite)

15. Lorsque la procédure de vide est terminée, un test de pression de 5 minutes démarre. Une petite quantité de réfrigérant est chargée et récupérée par le circuit de rinçage, tandis que la machine contrôle en continu la présence de pertes de pression dans le système.
16. Une fois le test de pression effectué avec succès, la machine affiche

FERMER VANNE CÔTÉ BP ET OUVRIR
VANNE CÔTÉ HP SUR PANNEAU

Fermez la vanne côté basse pression sur le panneau de commande ; ouvrez la vanne côté haute pression sur le panneau de commande. Appuyez sur F1 pour démarrer le cycle de rinçage.

17. Après une petite charge, la machine affiche

FERMER VANNE CÔTÉ HP ET OUVRIR
VANNE CÔTÉ BP SUR TABLEAU

Fermez la vanne côté haute pression sur le panneau de commande ; ouvrez la vanne côté basse pression sur le panneau de commande. Appuyez sur F1 pour poursuivre. Le réfrigérant chargé est récupéré par le flexible de service côté basse pression.

18. Les étapes 15 et 16 sont répétées trois autres fois pour garantir le rinçage effectif du système. Après le quatrième cycle, la machine effectue automatiquement une vidange d'huile. À la fin de la vidange d'huile, la machine affiche la quantité totale d'huile vidangée pendant ce processus :

HUILE
TOTALE : XXXYY

19. À la fin du rinçage et après avoir remonté le système, remplacez l'huile perdue pendant le processus. Consultez les consignes supplémentaires reportées dans le manuel d'entretien du véhicule.
20. Appuyez sur F2 pour revenir au menu Configuration.

 **AVERTISSEMENT** : NE débranchez PAS les coupleurs d'entretien pendant le processus de rinçage. Du réfrigérant risque de s'échapper des raccords et de provoquer des blessures aux personnes exposées.

MISE EN GARDE : le kit de rinçage est équipé d'un filtre remplaçable ainsi que d'un tamis de filtration des débris qui peuvent se boucher. À la fin du cycle de rinçage, vérifiez le manomètre du système côté haute pression (rouge) et vérifiez l'adaptateur pour vous assurer que le réfrigérant a été entièrement éliminé.

S'il y a de la pression ou s'il reste du réfrigérant, quittez le cycle de rinçage et entrez en mode Récupération pour récupérer le réfrigérant par les deux flexibles côté haute pression (rouge) et côté basse pression (bleu). Nettoyez ensuite les filtres et répétez la procédure de rinçage.

Calendrier de maintenance

Activité de maintenance	Intervalles recommandés
Remplacement du filtre	Après la filtration de 150 kg (331 lb) de réfrigérant. Reportez-vous à Maintenance du filtre dans la section Maintenance de ce manuel.
Vidange d'huile de la pompe à vide	Lors du remplacement du filtre. Reportez-vous à Vidange d'huile de la pompe à vide dans la section Maintenance de ce manuel.
Contrôle du bon fonctionnement des roulettes et des roues	Une fois par mois.
Contrôle du calibrage de la balance interne	Une fois par mois. Reportez-vous à Contrôle du calibrage dans la section Maintenance de ce manuel.
Contrôle des fuites de la machine	Une fois par mois. Vérifiez l'absence de fuites des flexibles et raccords. Débranchez l'alimentation, enlevez le déflecteur et utilisez un détecteur de fuites électronique pour contrôler les raccords.
Nettoyage des panneaux d'entrée d'air (voir figure 7)	Une fois par mois. Utilisez un chiffon propre.
Nettoyage du boîtier et du panneau de commande	Une fois par mois. Utilisez un chiffon propre.
Contrôle de la présence de coupures ou d'abrasions sur le cordon d'alimentation et les flexibles	Tous les jours.
Lubrification des roulements de roue et inspection des organes de frein	Une fois par mois.
Test de pression	Tous les 10 ans — effectué par un centre d'assistance agréé Robinair.

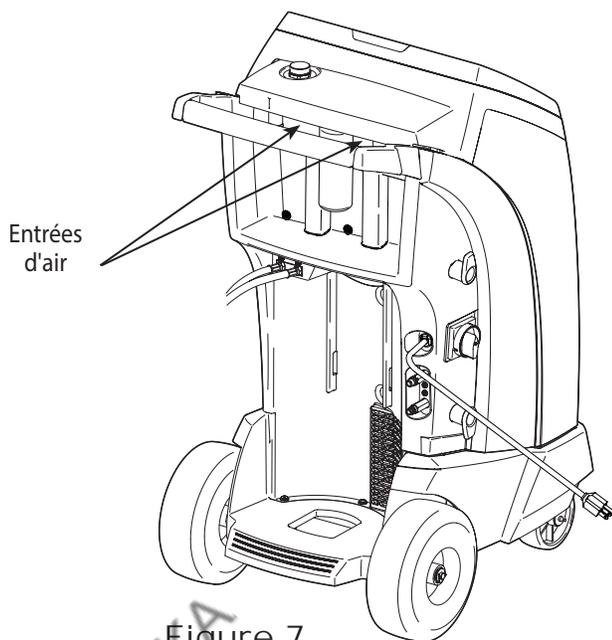


Figure 7



AVERTISSEMENT : pour éviter les blessures corporelles,



- Seules des personnes qualifiées sont autorisées à effectuer les inspections et les réparations sur cette machine.



- Lisez et respectez les instructions et les mises en garde reportées dans ce manuel.



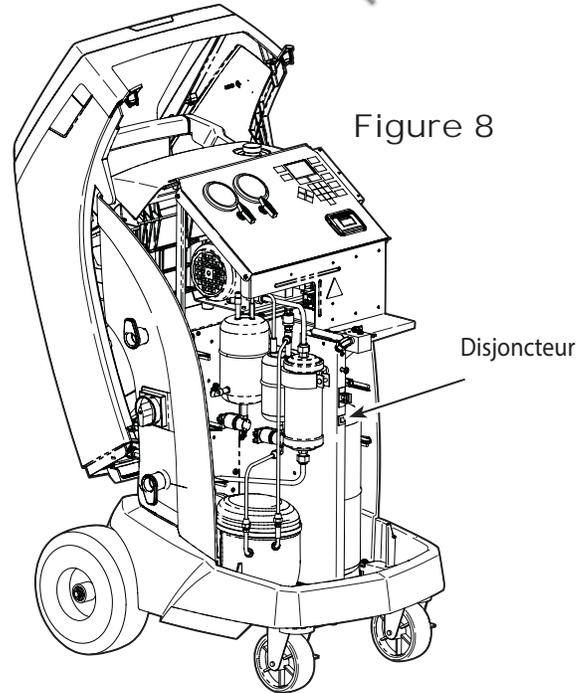
- Portez des équipements de protection, notamment des lunettes et des gants.

Maintenance

Protection électrique

La machine est équipée d'un disjoncteur monté sur le séparateur central, comme illustré sur la figure 8. Si le disjoncteur se déclenche, son bouton ressort. Le déclenchement du disjoncteur provoquera une coupure d'alimentation totale de la machine.

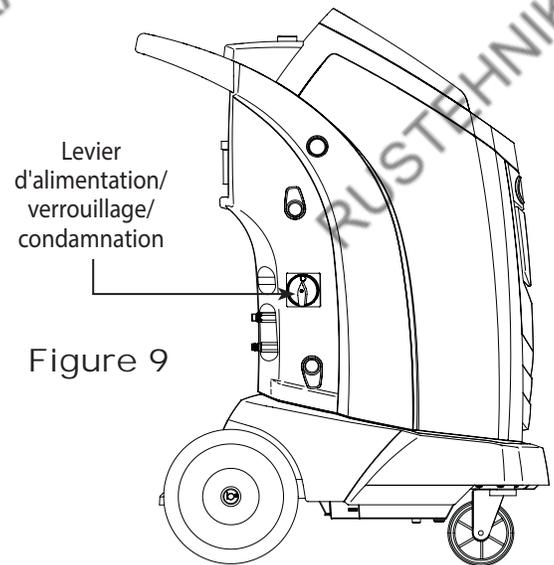
1. Enlevez le déflecteur avant.
2. Appuyez sur le bouton du disjoncteur pour le réinitialiser.
3. Remettez le déflecteur en place.



Verrouillage/Condamnation

Pour que des personnes non autorisées ne puissent pas faire fonctionner la machine, utilisez la fonction de Verrouillage/Condamnation. Reportez-vous à la figure 9.

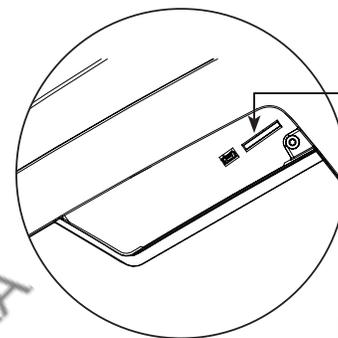
1. Tournez le levier d'alimentation/verrouillage/condamnation dans le sens anti-horaire.
2. Insérez un cadenas ou un autre élément à travers les trous afin que le levier ne puisse pas être tourné dans le sens horaire pour démarrer la machine.



Charger langue

Respectez les consignes suivantes pour ajouter ou mettre à jour une langue à partir d'une carte SD.

1. Choisissez SÉLECTIONNER LANGUE depuis le menu Configuration.
2. Utilisez les touches fléchées pour faire défiler les rubriques jusqu'à CHARGER NOUVELLE. Appuyez sur F1.
3. Insérez la carte SD contenant les données de la langue dans le panneau latéral de la machine. Reportez-vous à la figure 10.
4. Suivez les invites pour sélectionner la langue à charger ou à mettre à jour. En cas de chargement d'une nouvelle langue, il sera nécessaire de sélectionner une langue à remplacer.



Rempl réserv

Cette rubrique du menu permet de transférer le réfrigérant d'un réservoir source vers la bouteille de récupération.

La capacité maximum de la bouteille de récupération est de 8,5 kg. Utilisez les touches fléchées pour déplacer le curseur ; utilisez le clavier pour saisir une valeur. Remarque : ajoutez au moins 3,6 kg de réfrigérant afin de garantir une quantité suffisante de réfrigérant disponible pour la charge.

1. Branchez le flexible (bleu) côté basse pression sur le connecteur de liquide du réservoir source plein.
2. Ouvrez la vanne côté basse pression (bleu) du panneau de commande de la station.
3. Positionnez le réservoir source de manière à ce que l'alimentation en réfrigérant liquide arrive à la connexion. Ouvrez la vanne du réservoir source.
4. Sélectionnez REMPLIR RÉSERVOIR depuis le menu Configuration. La machine affiche

REPL RÉSERV	
QUANTITÉ À REMPLIR : XX.XYY	
RECHARGEABLE : XX.XXYY	
RÉCUPÉRABLE : XX.XXYY	
DÉMARRER	QUITTER

5. Saisissez la quantité à récupérer et appuyez sur F1. Ajoutez au moins 3,6 kg de réfrigérant afin de garantir une quantité suffisante de réfrigérant disponible pour la charge.
6. La machine commence à remplir la bouteille de récupération et s'arrête automatiquement lorsque le niveau de remplissage prééglé est atteint. Pour arrêter le remplissage du réservoir avant que le niveau prééglé soit atteint, appuyez sur F2 pour mettre la station en pause. Une option permettant de quitter la fonction s'affiche sur l'écran.
7. À la fin de l'opération, fermez la vanne du coupleur de flexible de service et la vanne sur le panneau de commande. Enlevez le flexible du réservoir source.

Maintenance

Maintenance du filtre

Le filtre a été conçu pour capter l'acide ainsi que les particules, et pour éliminer l'humidité du réfrigérant. Afin de répondre aux normes en matière d'élimination adéquate de l'humidité et des contaminants, il faut remplacer le filtre après la filtration de 150 kg (331 lb) de réfrigérant.

La machine émet un avertissement lorsque 125 kg (276 lb) de la capacité du filtre ont été utilisés ; elle se bloque lorsque 150 kg (331 lb) de la capacité du filtre ont été atteints et cesse de fonctionner.

Vérification de la capacité restante du filtre

1. Sélectionnez MAINTENANCE FILTRE depuis le menu Configuration ou lorsque la machine vous y invite. La machine affiche

CAPACITÉ RESTANTE :
XXX.XYY
VOULEZ-VOUS REMPLACER LE FILTRE MAINTENANT ?

La machine affiche la capacité restante du filtre jusqu'au blocage de la machine.

2. Appuyez sur F1 pour remplacer le filtre ; appuyez sur F2 pour rétablir le fonctionnement de la machine.

 **AVERTISSEMENT** : les composants de la machine sont sous haute pression. Pour éviter toute blessure, ne remplacez le filtre que lorsque la machine vous y invite.

Remplacement du filtre

1. Si vous avez sélectionné F1 pour remplacer le filtre, la machine vous invite à saisir le code du filtre neuf.

SAISIR N° NOUV FILTRE

Servez-vous du clavier pour saisir le numéro de série reporté sur le filtre neuf puis enfoncez F1 pour poursuivre.

Remarque : si un NUMÉRO DE SÉRIE ERRONÉ s'affiche, le numéro de série a été saisi de manière incorrecte ou le filtre a déjà été utilisé sur cette machine.



AVERTISSEMENT : pour éviter toute blessure corporelle lors de la manipulation du réfrigérant, veuillez lire et respecter les consignes et avertissements reportés dans ce manuel, et porter un équipement de protection, notamment des lunettes et des gants.



Mise en garde : pour éviter d'endommager l'équipement, utilisez exclusivement des filtres d'origine Robinair n° 34728 dans cette machine. Tous les essais de rendement et les déclarations sont basés sur l'utilisation de ce filtre spécifique.

Maintenance du filtre (suite)

2. La machine efface le numéro du filtre existant puis affiche

METTRE HT ET CHANGER FILTRE

Éteignez la machine. Enlevez la bouteille d'huile. Enlevez les quatre vis de fixation du déflecteur. Reportez-vous à la figure 11.

3. Accrochez le déflecteur à l'arrière de la machine comme illustré sur la figure 12.
4. Déposez le filtre en tournant dans le sens anti-horaire les écrous situés sur la tuyauterie en cuivre qui y est reliée. Débranchez les écrous du filtre et écartez la tuyauterie pour faciliter l'accès.
5. Enlevez la vis de fixation située sur le collier de blocage du filtre. Extrayez le filtre du collier de blocage.
6. Vérifiez que les joints toriques sur la tuyauterie en cuivre sont lubrifiés et en bon état. (Les joints toriques ont été lubrifiés avec de l'huile ISO6743-3 DVA / DVC.)
7. Installez le filtre neuf dans le collier de blocage et resserrez la vis de fixation du collier. Le filtre DOIT être orienté de manière à ce que le sens du flux soit dirigé de haut en bas.
8. Branchez la tuyauterie en cuivre supérieure et inférieure sur le filtre. Resserrez les écrous de fixation à 20 N•m.
9. Mettez le filtre usagé au rebut conformément à la réglementation en vigueur dans votre pays.

Enlevez les quatre vis de fixation du déflecteur.

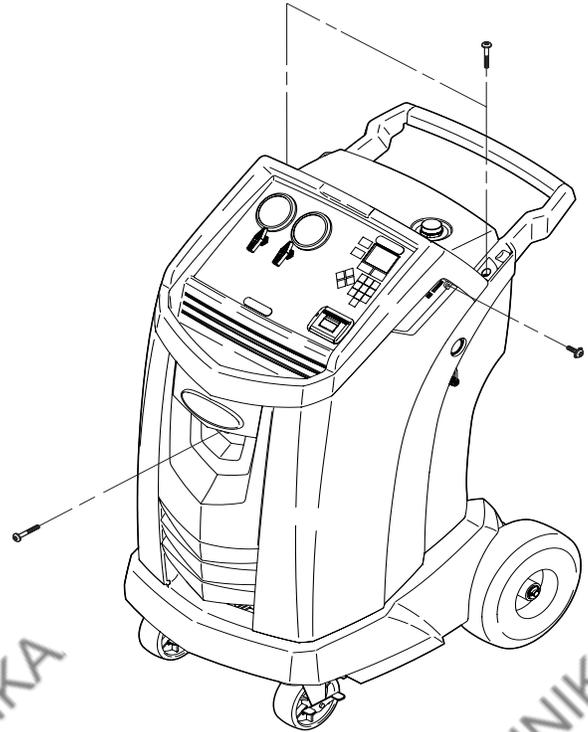


Figure 11

Accrochez le déflecteur ici

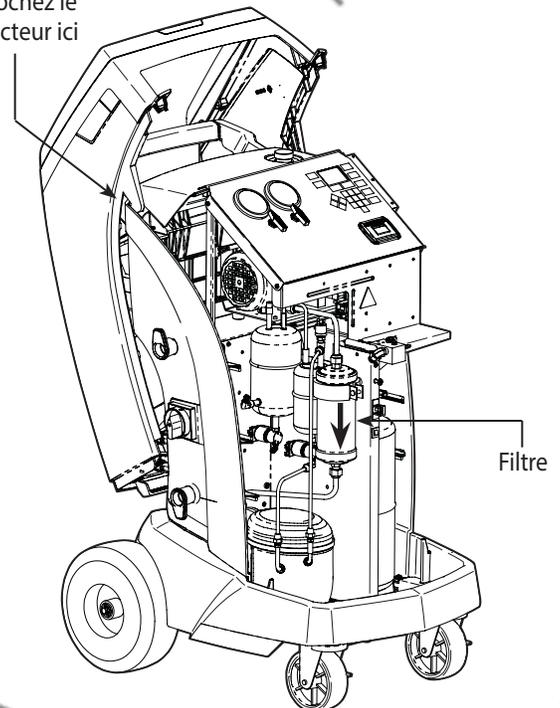


Figure 12

Maintenance

Contr. calibrage

Cette fonction permet de s'assurer que la balance interne de la machine est toujours bien calibrée. Pendant ce test, utilisez exclusivement le poids de calibrage fourni avec la machine.

1. Reportez-vous à la figure 13 et vérifiez que l'aimant en bas de la machine est propre.
2. Sélectionnez CONTRÔLE CALIBRAGE depuis le menu Configuration. La machine affiche

PLACER POIDS DE CALIBRAGE SUR
L'AIMANT SITUÉ EN BAS DE LA STATION

3. Fixez le poids de calibrage sur l'aimant situé en bas de la machine. Sélectionnez F1 pour poursuivre.
4. La machine affiche

ÔTER POIDS DE L'AIMANT EN BAS DE LA STATION

Enlevez le poids de calibrage de l'aimant. Sélectionnez F1 pour poursuivre.

- Si l'écran affiche

CALIBRAGE RÉUSSI

la balance est calibrée. Sélectionnez F2 pour revenir au menu Configuration.

- Si l'écran affiche

ÉCHEC CALIBRAGE

la balance est hors calibrage. Vous pouvez appuyer de nouveau sur F1 pour réessayer. Si le calibrage échoue de nouveau, contactez un centre d'assistance agréé Robinair.

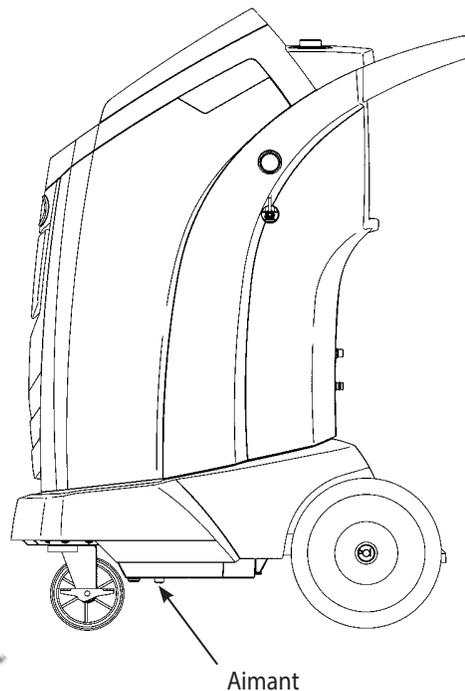


Figure 13

Vidange d'huile de la pompe à vide

1. Sélectionnez MAINTENANCE POMPE depuis le menu Configuration ou à l'invite de la machine. Le temps de fonctionnement de la pompe à vide depuis la dernière vidange d'huile s'affiche.

TPS RESTANT HUILE
XXX:XX (HHH:MM)
CHANGER HUILE MAINTENANT ?

2. Appuyez sur F1 pour vidanger l'huile de la pompe à vide. Si la machine affiche

HUILE EN CHAUFFE
VEUILLEZ PATIENTER

laissez la pompe à vide en marche pendant deux minutes pour réchauffer l'huile. Si l'huile est déjà chaude, l'écran affiche

VIDANGER HUILE USAGÉE DE LA POMPE ET
REEMPLACER PAR 150 ML D'HUILE NEUVE

3. Ouvrez LENTEMENT le bouchon de remplissage d'huile pour vérifier qu'il n'y a pas de pression dans la machine. Enlevez précautionneusement le bouchon. Reportez-vous à la figure 14.
4. Enlevez le bouchon de vidange d'huile et vidangez l'huile dans un récipient de recueil adapté. Remettez le bouchon en place et resserrez-le à fond. Appuyez sur F1 pour poursuivre.
5. La machine affiche

REMPLIR POMPE D'HUILE NEUVE
JUSQU'AU MILIEU DE L'INDICATEUR DE NIVEAU

Ajoutez lentement de l'huile dans la pompe à vide par l'orifice de remplissage jusqu'à ce que l'huile arrive au milieu de l'indicateur de niveau. Remettez le bouchon sur l'orifice de remplissage d'huile puis resserrez-le à fond. Appuyez sur F1 pour revenir à l'écran de Maintenance de la pompe.

! MISE EN GARDE : pour éviter toute blessure, N'utilisez JAMAIS la machine sans avoir remis en place le bouchon sur l'orifice de remplissage d'huile du fait que la pompe à vide est sous pression dans des conditions normales de fonctionnement.

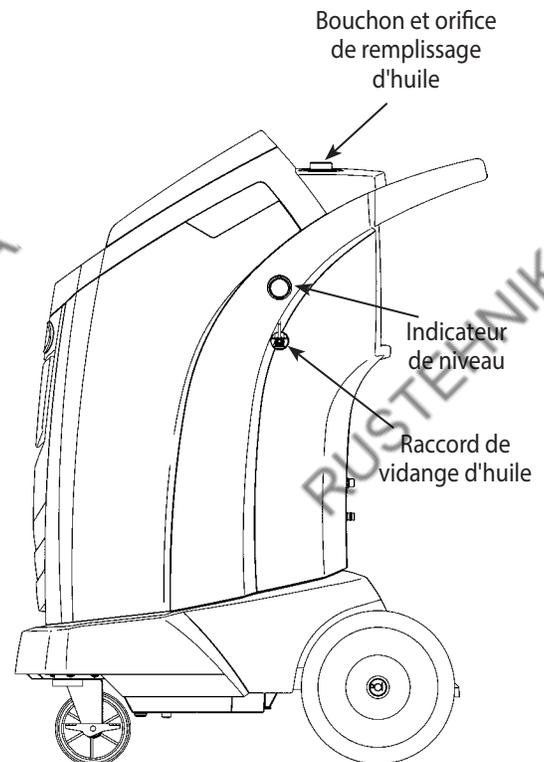


Figure 14

Mise en garde : l'utilisateur est responsable de la surveillance du niveau et de la clarté de l'huile de la pompe à vide. Si l'huile contaminée n'est pas vidangée de la pompe à vide puis remplacée par de l'huile propre, la pompe sera endommagée irrémédiablement.

Maintenance

Essai d'étanchéité par chute de pression

Pour garantir un fonctionnement économique, respectueux de l'environnement et en toute sécurité, la machine réalise un test contrôlé par logiciel à intervalles réguliers (tous les 10 jours). Pendant ce test, les éléments contenant du réfrigérant sont pressurisés et surveillés pour détecter tout signe de chute de pression qui pourrait indiquer une fuite.

1. En phase de démarrage, si un essai d'étanchéité par chute de pression est nécessaire, la machine affiche

BRANCHER LES FLEXIBLES SUR LES ORIFICES DE STOCKAGE ET OUVRIR LES VANNES

Branchez les coupleurs des flexibles de service sur les orifices de stockage à l'arrière de la machine. Ouvrez les coupleurs en tournant les colliers dans le sens horaire.

2. Ouvrez les vannes côté haute pression et basse pression sur le panneau de commande de la station. Appuyez sur F1 pour démarrer. La machine effectue une récupération automatique et affiche

RÉCUPÉRATION EN COURS

3. La machine effectue un test à vide de 30 secondes et affiche

CONTR VIDE EN COURS

En cas d'échec du test à vide, la machine invite l'utilisateur à vérifier la présence de fuites.

4. Lorsque la machine a réussi le test à vide, une pression contrôlée est appliquée sur ses composants internes. La machine affiche

CONTRÔLE PRESSION EN COURS

La pression est maintenue pendant cinq minutes et surveillée pour déceler tout signe de chute. Le décompte des minutes et des secondes s'affiche sur l'écran.

- Si une chute de pression acceptable est détectée, la machine récupère le réfrigérant, retourne au menu Configuration et est prête à reprendre son fonctionnement normal.
- Si une chute de pression inacceptable est détectée, la machine invite l'utilisateur à vérifier la présence de fuites. Faites réparer votre station auprès d'un centre d'assistance agréé Robinair.

Remarque :

- l'essai d'étanchéité par chute de pression peut également être sélectionné à tout moment depuis le menu Configuration.
- Si vous n'effectuez pas l'essai d'étanchéité par chute de pression lorsque vous y êtes invité, la machine continuera à vous le proposer à chaque mise sous tension, et ce jusqu'à ce que l'essai ait été réalisé.



AVERTISSEMENT : si la machine doit être transportée jusqu'à un centre d'assistance local Robinair, respectez les réglementations locales applicables au transport d'équipements contenant du R1234yf pour éviter toute blessure corporelle.

Ajust. inject. huile

La fonction d'injection d'huile de cette machine est automatique et minutée. De nombreuses variables peuvent avoir un effet sur sa précision.

Si vous utilisez de l'huile à viscosité très élevée ou très basse, ou si la station fonctionne à des températures ambiantes très élevées ou très basses, un ajustement du facteur de correction d'injection d'huile peut être nécessaire pour garantir la précision des injections d'huile de la machine.

La correction par défaut est réglée sur 0,25 et est basée sur une viscosité de l'huile de PAG100 et une température ambiante de 25 °C.

1. Pour ajuster le facteur de correction d'injection d'huile, sélectionnez AJUSTEMENT DE L'INJECTION D'HUILE depuis le menu Configuration. La machine affiche

X.XX AUGMENTER POUR INJECTER PLUS D'HUILE OU DIMINUER POUR INJECTER MOINS D'HUILE

2. Saisissez le facteur de correction souhaité à l'aide des touches fléchées et du clavier numérique. Les valeurs acceptables sont comprises entre 0,01 et 1,00.
 - Un facteur de correction de 1,00 rallonge la durée de l'injection d'huile, en augmentant la quantité d'huile injectée.
 - Un facteur de correction de 0,01 raccourcit la durée de l'injection d'huile, en diminuant la quantité d'huile injectée.
3. Appuyez sur F1 pour enregistrer la valeur ; appuyez sur F2 pour retourner au menu Configuration sans enregistrer la valeur.

MISE EN GARDE : pour éviter toute incompatibilités chimique avec les composants internes de la machine, utilisez exclusivement les types d'huile agréés par le fabricant du véhicule. Des problèmes liés à l'utilisation d'huiles non-agrées provoqueront l'annulation de la garantie.

Maintenance

Édition du titre d'impression

Pour modifier le texte qui s'affiche sur cet écran :

1. dans le menu Configuration, sélectionnez Éditer titre impression.
2. Le curseur se trouve dans le premier champ. Pour actualiser le texte, utilisez les touches fléchées et l'interface de frappe sur le clavier numérique :
 - la flèche vers la GAUCHE sert de touche de retour en arrière.
 - La flèche vers la DROITE déplace le curseur à droite.
 - La touche ZÉRO (0) sert de barre d'espace.
 - Les touches fléchées vers le HAUT et vers le BAS permettent de naviguer entre les différentes lignes.
3. Appuyez sur F1 pour enregistrer les modifications et revenir au menu Configuration ; appuyez sur F2 pour revenir au titre précédent et quitter le menu Configuration.

Remplacement du papier d'imprimante (AC1234-3P uniquement)

Pour installer un rouleau de papier neuf dans l'imprimante :

1. enlevez le couvercle de l'imprimante en tirant sur la languette, comme illustré sur la figure 15.
2. Enlevez le centre du rouleau de papier.
3. Installez le rouleau de papier neuf en orientant la fin du papier vers le haut du rouleau.
4. Positionnez le couvercle sur l'imprimante en plaçant le bord d'attaque du papier par-dessus le rouleau.

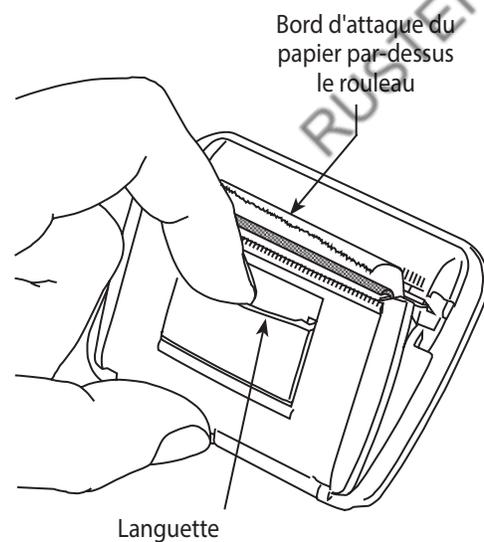


Figure 15

Installation d'une imprimante

Il est possible d'acheter et d'installer une imprimante sur n'importe quel modèle ne contenant pas d'imprimante. Tous les modèles de la machine contiennent déjà un faisceau de câble de branchement d'une imprimante prêt à l'emploi. Pour installer une imprimante :

1. éteignez et coupez l'alimentation de la machine.
2. Enlevez les quatre vis de fixation du déflecteur. Reportez-vous à la figure 11.
3. Accrochez le déflecteur à l'arrière de la machine comme illustré sur la figure 12.
4. Enlevez les deux vis situées dans les angles supérieurs du panneau de commande pour que le panneau de commande puisse s'incliner vers l'avant.
5. Le faisceau de câbles de raccordement d'une imprimante est relié à l'arrière du capuchon situé à l'emplacement prédécoupé de l'imprimante. Enlevez l'attache pour libérer le faisceau. Le faisceau sera utilisé plus tard.
6. Enlevez le capuchon de l'emplacement prédécoupé de l'imprimante en appuyant sur les languettes du capuchon depuis l'arrière du panneau de commande et en poussant sur le capuchon pour l'extraire du panneau.
7. Enlevez les deux bras de fixation de l'imprimante en insérant la pointe d'un tournevis à tête plate sous chaque languette, à proximité de l'arrière de son bras de blocage. Exercez une pression vers l'extérieur sur la languette tout en écartant l'ensemble du bras de l'imprimante.
8. Placez l'imprimante dans la zone prédécoupée du panneau de commande. Appuyez sur la surface de l'imprimante qui affleure le panneau, en l'orientant de manière à ce que le papier sorte par la partie supérieure de l'imprimante, comme illustré sur la figure 15.
9. Remettez en place les bras de blocage de l'imprimante par l'intérieur du panneau de commande. Poussez-les vers l'avant jusqu'à ce qu'ils soient bien en contact avec la surface interne du panneau de commande.
10. Repérez l'extrémité libre du faisceau de câbles de branchement de l'imprimante qui a été détachée du capuchon à l'étape 5.
11. Branchez les deux connecteurs libres sur les connecteurs appropriés à l'arrière de l'imprimante.
12. Faites coulisser le panneau de commande pour le remettre à sa place et fixez-le à l'aide des deux vis enlevées à l'étape 4.
13. Remontez le déflecteur sur la machine et resserrez les quatre vis enlevées à l'étape 2.

L'imprimante est désormais prête à l'emploi.

Pièces détachées et glossaire

Pièces détachées

Composant	détachée n° Pièce
Poids de calibrage	SP01100095
Filtre 34728	
Bouteille de vidange d'huile	SP01100162
Bouteille d'injection d'huile	SP01100025
Imprimante	SP00100099
Papier d'imprimante (1 rouleau)	SP00100087
Coupleur de service BP	18122
Coupleur de service HP	18123
Flexible de service (côté basse pression, bleu)	70123
Flexible de service (côté haute pression, rouge)	70124
Adaptateur de réservoir (1234 <22 HW)	SP01100352
Adaptateur de réservoir (1234 DNT)	SP01100353
Adaptateur de réservoir (1234 >22 HW)	SP01100354
Huile de pompe à vide (600 ml)	5604052
Pare-poussière en vinyle (option)	SP01100250



MISE EN GARDE : pour éviter toute blessure, utilisez exclusivement les pièces détachées reportées dans cette liste. Les articles indiqués dans cette liste de pièces détachées ont été scrupuleusement testés et sélectionnés par Robinair.

Glossaire

Système de climatisation : le système de climatisation du véhicule concerné par l'entretien.

Évacuation : l'humidité et autres gaz non-condensables sont éliminés d'un système de climatisation par une pompe à vide.

Bouteille de récupération : le réservoir rechargeable de stockage du réfrigérant conçu spécialement pour cette machine ; capacité : 8,5 kg (18,7 lb).

Essai d'étanchéité (vide) : les éléments contenant du réfrigérant sont vidés et surveillés en cas de hausse de pression, ce qui pourrait indiquer une fuite.

Machine : modèle n° AC1234-3 or AC1234-3P.

Essai d'étanchéité par chute de pression : les éléments qui contiennent du réfrigérant sont mis sous pression et surveillés en cas de chute de pression, ce qui pourrait indiquer une fuite.

Récupération/Recyclage : le réfrigérant est récupéré d'un système de climatisation, filtré et stocké dans la bouteille de récupération.

Réfrigérant : R1234yf.

Messages d'identification des pannes

Affichage	Cause	Solution
ÉCHEC CALIBRAGE	La balance interne est hors calibrage.	Appuyez sur F1 pour relancer le CONTRÔLE DU CALIBRAGE. Si le calibrage échoue de nouveau, quittez le test en cours et contactez un centre d'assistance agréé Robinair pour faire réparer la station.
CHARGE BLOQUÉE ! CONTRÔLER RACCORDEMENTS ET VANNES	Le réfrigérant est bloqué dans la bouteille de récupération ou la machine.	Vérifiez les branchements et la position des vannes.
BASE DE DONNÉES NON INSTALLÉE	La machine est expédiée sans base de données.	Contactez un centre d'assistance agréé Robinair pour de plus amples informations.
POIDS RÉSERVOIR EXCESSIF	Déclenchement du circuit de sécurité de trop-plein. La machine est bloquée parce qu'il y a trop de réfrigérant dans la bouteille de récupération.	Contactez un centre d'assistance agréé Robinair pour de plus amples informations.
FILTRE USÉ POIDS FILTRE XXX.XYY VOULEZ-VOUS REMPLACER LE FILTRE MAINTENANT ?	Depuis le dernier remplacement du filtre, 150 kg (331 lb) ou plus de réfrigérant ont été récupérés.	Consultez les consignes de vidange d'huile de la pompe à vide dans la section Maintenance du filtre de ce manuel.
HAUTE PRESSION DANS BOUTEILLE DE RÉCUPÉRATION	La machine est bloquée parce que la pression dans la bouteille de récupération est trop haute suite, éventuellement, à une température trop élevée du réservoir.	Laissez refroidir la station avant d'effectuer un entretien supplémentaire du système de climatisation. Si le problème persiste, contactez un centre d'assistance agréé Robinair pour de plus amples informations.
ÉCHEC TEST DE PURETÉ RÉFRIGÉRANT	Le réfrigérant testé n'est pas du R1234yf ou est contaminé.	Ne récupérez pas de réfrigérant contaminé dans la station AC1234-3(P) ; utilisez une machine de récupération externe dédiée au réfrigérant contaminé.
LA PRESSION EN ENTRÉE EST TROP FORTE POUR LE VIDE	Avant que la machine commence à évacuer le système de climatisation, elle vérifie si une pression susceptible d'endommager la pompe à vide se trouve dans le système. Dans ce cas, la pression du système est supérieure à 0,35 bar.	Appuyez sur F1. Consultez la section RÉCUPÉRATION de ce manuel pour récupérer le réfrigérant avant de poursuivre.

Messages d'identification des pannes

Affichage	Cause	Solution
ÉCHEC COMMUNICATION IOE	Échec de communication avec la carte relais.	Réinitialisez la carte relais en appuyant sur F2. Si le problème persiste, contactez un centre d'assistance agréé Robinair pour de plus amples informations.
QTÉ INSUFF. DE RÉFRIGÉRANT. IL FAUT 6,00 KG POUR RINCER LE SYSTÈME	Il n'y a pas assez de réfrigérant dans la bouteille de récupération pour rincer le système.	Reportez-vous à Remplissage du réservoir dans la section Maintenance de ce manuel.
QTÉ INSUFF. DE RÉFRIGÉRANT DISPONIBLE POUR CHARGE SÉLECTIONNÉ : XX.XXYY DISPONIBLE : XX.XXYY	Après avoir saisi le poids désiré, si le processus de charge laisse moins de 0,91 kg (2 lb) de réfrigérant dans la bouteille de récupération, la fonction de charge ne démarrera pas.	Reportez-vous à Remplissage du réservoir dans la section Maintenance de ce manuel.
CODE INCORRECT	La code d'activation saisi dans la machine n'est pas correct.	Vérifiez que le code d'activation a été saisi exactement comme vous l'avez reçu. Des lettres majuscules sont nécessaires.
N° DE SÉRIE INCORRECT !	Le numéro de série saisi dans la machine n'est pas correct.	Vérifiez que le numéro de série saisi correspond au numéro de série sur le filtre. Vérifiez que le filtre n'a pas été utilisé au préalable sur la machine.
ÉCHEC ESSAI ÉTANCHÉITÉ	Il y a une fuite du système de climatisation du véhicule.	Quittez le test en cours et réparez le système de climatisation du véhicule.
PAS DE PRESSION ENTRÉES CONTRÔLER CONNEXIONS RÉCUP. ?	La pression du système est inférieure à 0,35 bar.	Vérifiez que les flexibles côté haute pression (rouge) et côté basse pression (bleu) sont branchés et que les vannes du coupleur sont ouvertes. Appuyez sur F1 pour effectuer une récupération ; appuyez sur F2 pour by-passer la RÉCUPÉRATION et effectuer un VIDE.
VIDANGE HUILE STOPPÉE	La pression de l'accumulateur n'a pas réussi à passer au-dessus de 1,10 bar en une minute avant qu'une vidange d'huile se produise.	Une pression appropriée est nécessaire dans l'accumulateur pour forcer l'huile, qui a été séparée du réfrigérant, à sortir du système. Appuyez sur F1 pour réessayer ; appuyez sur F2 pour quitter.

Messages d'identification des pannes

Affichage	Cause	Solution
DURÉE RESTANTE HUILE XX:XXX CHANGER HUILE MAINTENANT ?	Affiche la capacité restante du filtre jusqu'à ce que la machine se bloque.	Consultez les consignes de vidange d'huile de la pompe à vide dans la section Maintenance du filtre de ce manuel.
HORS LIMITES PRESSION ACCUMULATEUR	Le transducteur de pression de l'accumulateur ne lit pas correctement la pression.	Quittez le test en cours et contactez un centre d'assistance agréé Robinair pour de plus amples informations.
HORS LIMITES DÉBIT D'AIR	La capteur de débit d'air ne lit pas correctement le débit d'air.	Quittez le test en cours et contactez un centre d'assistance agréé Robinair pour de plus amples informations.
HORS LIMITES HAUTE PRESSION	Le transducteur de haute pression ne lit pas correctement la pression.	Quittez le test en cours et contactez un centre d'assistance agréé Robinair pour de plus amples informations.
HORS LIMITES PRESSION BOUTEILLE	Le transducteur de pression interne de la bouteille de récupération ne lit pas correctement la pression.	Quittez le test en cours et contactez un centre d'assistance agréé Robinair pour de plus amples informations.
HORS LIMITES TEMP. BOUTEILLE	Le capteur de température interne de la bouteille de récupération ne lit pas correctement la température.	Quittez le test en cours et contactez un centre d'assistance agréé Robinair pour de plus amples informations.
HORS LIMITES BASSE PRESSION	Le transducteur de basse pression ne lit pas correctement la pression.	Quittez le test en cours et contactez un centre d'assistance agréé Robinair pour de plus amples informations.
ÉCHEC TEST DE PRESSION RECHERCHER FUITES	Il y a une fuite du système de climatisation du véhicule.	Quittez le test en cours et réparez le système de climatisation du véhicule.
N° DE SÉRIE DÉJÀ UTILISÉ	Le numéro de série saisi dans la machine n'est pas correct.	Le filtre a déjà été utilisé sur cette machine. Commandez un filtre neuf d'origine Robinair n° 34728.
LE RÉSERVOIR SOURCE EST VIDE	Le réfrigérant ne peut pas être transféré dans la bouteille de récupération parce que le réservoir source est vide.	Quittez le test en cours et remplacez le réservoir source.
RÉSERVOIR PLEIN. ENLEVER RÉFRIGÉRANT AVANT DE POURSUIVRE	La bouteille de récupération est trop pleine pour récupérer du réfrigérant supplémentaire.	Effectuez une procédure de charge pour enlever du réfrigérant de la bouteille de récupération avant d'essayer de faire une nouvelle récupération.

Messages d'identification des pannes

Affichage	Cause	Solution
LA PÉRIODE D'ESSAI A EXPIRÉ ACTIVER STATION PR CONTINUER À L'UTILISER	Si la machine n'est pas enregistrée et activée dans les 30 jours suivant le démarrage initial, elle se bloquera et ne fonctionnera plus.	Appuyez sur F1 et consultez la section Activation de la station de ce manuel pour enregistrer la machine.
ÉCHEC TEST VIDE. RECHERCHER FUITES	Il y a une fuite du système de climatisation du véhicule.	Quittez le test en cours et réparez le système de climatisation du véhicule.

Stockage et transport de l'équipement

Stockage

Ne laissez jamais la machine sous tension si une utilisation immédiate n'est pas prévue.

1. Débranchez la machine du réseau d'alimentation.
2. Faites passer deux fois les tuyaux de service autour de la poignée et attachez-les aux orifices de stockage. Reportez-vous à la figure 16.
3. Rangez la machine dans un lieu sec, stable, à l'écart de flammes et de surfaces chaudes. La température de la zone de stockage doit être comprise entre -25°C et 60°C .
4. Bloquez les roues avant.

Transport de l'équipement



AVERTISSEMENT : si la machine doit être transportée jusqu'à un centre d'assistance local Robinair, respectez les réglementations locales applicables au transport d'équipements contenant du R1234yf pour éviter toute blessure corporelle.

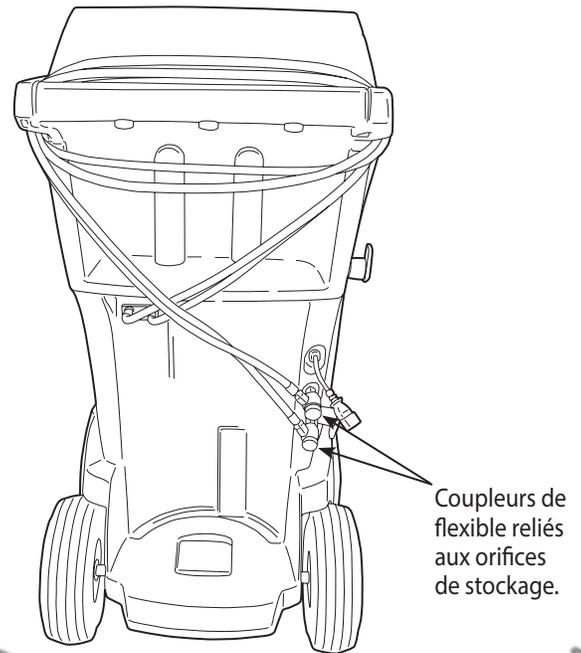
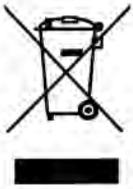


Figure 16

Mise au rebut de l'équipement

Mise au rebut de l'équipement



À la fin de sa durée de vie, mettez la station Robinair n° AC1234-3(P) au rebut conformément à la réglementation nationale en vigueur.

- L'administration publique et les fabricants d'équipements électriques/électroniques (EEE) facilitent les processus de réutilisation et de récupération des déchets d'équipements électriques/électroniques par l'organisation de collectes et de programmes de planification appropriés.
- Conformément à la directive européenne DEEE 2002/96/CE, des sites spéciaux de collecte des équipements électriques/électroniques usagés sont disponibles.
- Ne mettez pas cet équipement au rebut avec les ordures ménagères. Faites en sorte qu'il soit recueilli séparément. Toute mise au rebut non autorisée d'équipements électriques/électroniques usagés est punie légalement par des sanctions appropriées.
- La réutilisation et le recyclage correct des équipements électriques et électroniques (EEE) sont nécessaires à la protection de l'environnement et au bien-être de l'humanité.

Mise au rebut des matériaux recyclés

Il incombe à l'utilisateur de déterminer si un matériau constitue un déchet dangereux au moment de le mettre au rebut. L'utilisateur doit se conformer à l'ensemble des lois et réglementations en vigueur.

1. Remettez le réfrigérant récupéré des systèmes de climatisation aux fournisseurs de gaz pour qu'ils le recyclent ou le mettent au rebut.
2. Remettez les lubrifiants extraits des systèmes de climatisation aux centres de collecte d'huile usagée.
3. Passez en revue les lois en vigueur dans votre région pour déterminer les procédures de mise au rebut correctes de l'huile de la pompe.

Mise au rebut de la machine

1. Détachez et évitez le gaz du circuit de la machine. Déchargez entièrement le réservoir de réfrigérant conformément à la réglementation nationale en vigueur.
2. Remettez la machine dans un centre d'élimination approprié.

Mise au rebut des batteries



À la fin de leur durée de vie, mettez les batteries au rebut conformément à la réglementation nationale en vigueur. Les batteries doivent être recyclées ou mises au rebut correctement. Ne jetez pas les batteries avec les ordures ménagères.



Pour éviter toute blessure, ne jetez pas les batteries dans des flammes nues.

BOSCH AUTOMOTIVE SERVICE SOLUTIONS SOFTWARE LICENSE NOTICES

BOSCH AUTOMOTIVE SERVICE SOLUTIONS SOFTWARE LICENSE NOTICES

Copyright © 2014 Robert Bosch GmbH. All Rights Reserved.

Bosch Automotive Service Solutions
28635 Mound Road
Warren
MI 48092
USA

Phone numbers
USA 800-533-6127
EMEA +49 (0) 6182 959-225

This Bosch Automotive Service Solutions software is released under the software license agreement presented at product activation.

All other products or service names are the property of their respective owners.

Registered trademarks of their respective companies and are hereby acknowledged.

The following notices pertain to this Bosch Automotive Service Solutions software license:

1. This product contains IAR Standard libraries. IAR software license agreement is reported below and located at http://www.iar.com/Global/Products/Software_licenses/SLA_February_2013.pdf.

IAR standard library includes third party software as declared in the third party licenses document reported below and located at

http://www.iar.com/Global/Products/Software_licenses/3rdpartyLicenses.html

2. This product contains LibTomCrypt is a fairly comprehensive, modular and portable cryptographic toolkit that provides developers with a vast array of well known published block ciphers, one-way hash functions, chaining modes, pseudo-random number generators, public key cryptography and a plethora of other routines. <http://www.libtom.org>. LibTomCrypt is public domain. As should all quality software be. Tom St Denis
3. This product contains Freescale software as part of the Freescale microcontroller BSP. Refer to the Freescale Semiconductor License Agreements for the use terms below reported and located at

https://www.freescale.com/webapp/sps/download/license.jsp?colCode=DL-MQX-CX&prodCode=MQX&appType=file2&location=null&DOWNLOAD_ID=null&fsrch=1&sr=1&pageNum=1&Parent_nodeId=&Parent_pageType

IAR SOFTWARE LICENSE AGREEMENT

Concerning the Products: IAR Embedded Workbench® and visualSTATE® from IAR Systems AB

PREAMBLE

THIS SOFTWARE LICENSE AGREEMENT ("THE AGREEMENT") APPLIES TO PRODUCTS LICENSED BY IAR SYSTEMS AB INCLUDING ANY OF ITS SUBSIDIARIES ("IAR SYSTEMS") OR DISTRIBUTORS ("IAR DISTRIBUTORS"), TO YOU ("THE LICENSEE").

The order confirmation from IAR Systems, or when applicable the agreement between IAR Systems and the Licensee, will set out, apart from the applicable licensed product and license fee (which will also be stated in the Invoice), a) if the License in question is a PC-locked License or a Multi-user License, b) in case of a Multi-user License with the allowed number of simultaneous users, c) if the license includes a time limited Support and Update Service and in such cases the expiry date of such service. Any opening of a package where these terms have been stated or referred to, and any use of IAR Systems software, is subject to these terms and conditions.

YOU AS A USER OF THE LICENSED PRODUCTS STATED ABOVE AND ON THE INVOICE, WILL BIND THE CORPORATION OR ORGANIZATION ALSO SET OUT ON THE INVOICE TO THIS AGREEMENT, BY OPENING OF A PACKAGE OR INSTALLING SOFTWARE WHERE THIS AGREEMENT HAS BEEN STATED OR REFERRED TO. IF YOU ARE NOT IN AGREEMENT WITH THE TERMS HEREIN, OR DO NOT HAVE THE AUTHORITY TO BIND YOUR CORPORATION OR ORGANIZATION TO THESE TERMS, YOU SHALL IMMEDIATELY CONTACT IAR SYSTEMS AND YOU MAY NOT INSTALL ANY SOFTWARE OR MAKE USE OF ANY PARTS OF THE PRODUCT.

1. DEFINITIONS

The following terms have the meanings set forth below whenever they are used in this Agreement:

1.1 **"Executable Software"** means a copy of the executable code version of the software program(s) included in the enclosed package or otherwise specified in this Agreement or Invoice (including any link-time and runtime modules), along with templates and other instructions and any Software updates, revisions, and additional modules and templates (if any) that the Licensee may receive from IAR Systems hereunder from time to time.

1.2 **"Software Source Code"** has the meaning set out in section 3.7.

1.3 **"Software"** is a collective term for Executable Software and Software Source Code as defined above.

1.4 **"Documentation"** means a copy of the documentation, as provided by IAR Systems together with the Software for use by the Licensee.

1.5 **"Product"** means the Software and Documentation licensed to the Licensee under the conditions of this Agreement.

1.6 **"Invoice"** means IAR Systems' or IAR Distributor's invoice to the Licensee for the Product license granted hereunder.

1.7 **"PC-locked License"** has the meaning set out in section 3.2.

1.8 **"Mobile License"** has the meaning set out in section 3.3.

1.9 **"Multi-user License"** has the meanings set out in section 3.4.

1.10 **"Network License"** has the meanings set out in section 3.5.

1.11 **"Global Network License"** has the meanings set out in section 3.6.

1.12 **"Concurrent Users"** has the meaning as set out in section 3.7.

1.13 **"Commuter license"** has the meaning as set out in section 3.8.

1.14 **"Evaluation License"** has the meanings set out in section 3.12.

1.15 **"Site"** means the physical premises of the Licensee within the borders of one city.

1.16 **"Target Architecture"** means the family or group of embedded micro-controller and micro-processor devices belonging to one processor architecture, as defined by its instruction set, and as specified on the Invoice.

1.17 **"Support and Update Services"** means the services set out in section 12.

2. TERM OF AGREEMENT

2.1 This Agreement shall become effective on the latest at the Licensee's receipt of the Software and shall remain in effect for an indefinite period in time, subject to the terms and conditions set out below – in particular the right of IAR Systems to terminate the Agreement upon Licensee's breach. Registration of the Licensee as a rightful user of Licensed Products shall be made in accordance with applicable instructions from IAR Systems.

2.2 For the avoidance of doubt: Also for Software delivered with a temporary license key (for some products called quick start key) enabling use for a limited time, the Agreement terms have become effective, including but not limited to its payment terms and use restrictions, already upon the Licensee's receipt of the Software, regardless of whether registration is made or not. (Evaluation licenses without obligation to pay license fees, are available to the extent separately provided by IAR Systems.)

IAR SOFTWARE LICENSE AGREEMENT

3. OWNERSHIP AND LICENSE GRANT

3.1 IAR Systems holds the copyright, trade secrets, and any other intellectual property rights which subsist in the Licensed Product and all copies thereof. No title or other rights in the Licensed Product (other than rights expressly granted herein) shall pass to the Licensee.

THE PRODUCT IS LICENSED, NOT SOLD, TO THE LICENSEE FOR USE ONLY UNDER THE TERMS OF THIS AGREEMENT. THE LICENSEE ACKNOWLEDGES THAT THE PRODUCT CONSISTS OF PROPRIETARY, UNPUBLISHED PRODUCTS OF IAR SYSTEMS, PROTECTED UNDER INTERNATIONAL COPYRIGHT AND TRADE SECRET LAWS.

3.2 **PC-locked License:** To the extent the relevant license granted is a PC-locked License, the terms in 3.2.a and 3.2.b shall apply.

A PC-locked License is a single-user license, locked to the computer where the software is installed.

3.2.a Subject to the terms and conditions of this Agreement, IAR Systems hereby grants to the Licensee a personal, non-transferable and non-exclusive PC-locked License to use the Software. The Licensee's number of authorized users of the Software under the PC-locked License, if more than one, is stated in the Invoice or otherwise in writing from IAR Systems.

3.2.b The PC-locked License may be used by the Licensee only on one single, self-contained computer unit (stationary or portable), designated through its IP number or other means of identification. A switch of the designated computer to another single computer may be allowed to transfer the license via a transfer program provided by IAR Systems within the license management system. The Software may not be accessed by users from other computer units than the unit designated as set forth in this clause; through modem, Internet or any other means of network or remote access.

3.3 **Mobile License:** To the extent the relevant license granted is a Mobile License, the terms in 3.3.a and 3.3.b shall apply.

A Mobile License comes with a hardware lock (dongle). A hardware lock is a device to be attached to one of the computer's external ports, which allows the Licensee to move the license to another computer. A hardware lock is part of the product package only to the extent explicitly ordered.

3.3.a Subject to the terms and conditions of this Agreement, IAR Systems hereby grants to the Licensee a personal, non-transferable and non-exclusive Mobile License to use the Software. The Licensee's number of authorized users of the Software under the Mobile License, if more than one, is stated in the Invoice or otherwise in writing from IAR Systems.

3.3.b The Mobile License may be used by the Licensee only for one single user, but with the right to a switch of the designated computer to another single computer using a hardware lock. The Software may not be accessed by users from other computer units than the unit designated as set forth in this clause; through modem, Internet or any other means of network or remote access.

3.4 **Multi-user License:** To the extent the Product license granted is a Multi-user License, the terms in this 3.4 shall apply.

Subject to the terms and conditions of this Agreement, IAR Systems hereby grants to the Licensee a personal, non-transferable and non-exclusive Multi-user License to use the Software. The Licensee's number of authorized users of the Software under the Multi-user License, if more than one, is stated in the Invoice or otherwise in writing from IAR Systems or IAR Distributors.

3.5 A Network License is a Multi-user License, located on a single designated license server and used by multiple users on a network and on one Site only. The Network License is locked either to the computer where the license server software runs, or to a hardware lock (dongle). The use of a hardware lock allows to move the Network License to another server computer, in case of server failure. The Network License can be used on all client computers on the network where the Software is installed. However, the Network License is made for a maximum number of concurrent users.

3.6 A **Global Network License** is a Multi-user License, located on a license server and used by multiple users on a network that can be accessed from multiple Sites globally. The Global Network License is locked either to the computer where the license server software runs, or to a hardware lock (dongle). The use of a hardware lock allows to move the Global Network License to another server computer, in case of server failure. The Global Network License can be used on all client computers on the network where the Software is installed. However, the Global Network License is made for a maximum number of concurrent users.

3.7 **Concurrent Users:** For Products that are Executable Software and licensed as Network Licenses, the definition of concurrency is given by the license server software, which also keeps track of the number of current of users. A user session of an Executable Software is always a minimum of thirty (30) minutes, and is deemed to last for additional thirty (30) minutes after the last license activation by the license server. For Products including Software Source Code, the software shall be deemed in (concurrent) use on a computer when it is loaded into temporary memory (i.e. RAM) or installed into permanent memory (e.g., hard disk, CD-ROM, or other storage device) of that computer.

3.8 **Commuter licensing:** For Products released 2012 and later including a new license management system

IAR SOFTWARE LICENSE AGREEMENT

(LMS) a commuter license is granted. Commuter licensing permits a temporary use of a network license on a personal computer not connected to the network for up to 15 days. The commuter license permits the use of the Product outside the designated Site.

3.9 Source Code License: If the Product Licensee receives hereunder contained software modules or components in source code format ("Software Source Code"), the following shall apply to such Software Source Code, in addition to all other provisions of this Agreement:

The Licensee may use such Software Source Code only in conjunction with the Product and the Software Source Code or any derivative works thereof. The Software Source Code may only be compiled and linked with products from IAR Systems, and only in accordance with the provisions on such use set out in the Documentation and/or this Agreement. The Licensee is strictly prohibited to make any other use of the Software Source Code. Any breach of this Section 3.9 shall be considered a material breach of this Agreement.

THE LICENSEE ACKNOWLEDGES THAT THE SOFTWARE SOURCE CODE EMBEDS COPYRIGHTED AND PROPRIETY INFORMATION OF IAR SYSTEMS, AND THAT MAKING SOFTWARE SOURCE CODE ACCESSIBLE TO OTHERS OUTSIDE THE SCOPE OF THIS AGREEMENT, BY THE NATURE OF SOURCE CODE, SEVERELY DAMAGES THE INTELLECTUAL PROPERTY RIGHTS OF IAR SYSTEMS, AND AGREES TO COMPENSATE IAR FOR ALL DAMAGE RESULTING FROM SUCH BREACH, THAT CAN BE REASONABLY SUBSTANTIATED BY IAR.

The Licensee shall keep and protect the Software Source Code with at least the same degree of care as its own proprietary source code, as further specified in section 5.

3.10 If the Product the Licensee receives hereunder contains Third Party-Owned software, the use of such Third Party-Owned software may be restricted to a specific Target Architecture. See Section 11.2 below.

3.11 Back-up Copies: The Licensee may make back-up copies of the Software in machine executable code form, only to be used in the event and to the extent that the copy of the Software received from IAR Systems fails to function, is lost, damaged, or destroyed. The Licensee warrants that it will make no other copies of the Software and will not allow, authorize, or assist others to copy any part or all of the Software in any form without the prior written approval of IAR Systems. There may be no more copies than are necessary to form part of a reasonable back-up cycle for the Licensee. Back-up copies of the Software may be kept by the Licensee in a bank deposit or other such secure place as is normally used by the Licensee for storage of its computer program back-ups. The rights for the Licensee under this section shall not in any case include any measures to affect or decrease the function of the software protection included in the software.

3.12 An **Evaluation License** is solely intended for testing and evaluation purposes. Any other use than for testing and evaluation is prohibited. IAR Systems has no obligation to provide support or related services and no warranties. IN NO EVENT SHALL IAR SYSTEMS BE LIABLE TO THE OTHER FOR ANY DIRECT, INDIRECT, INCIDENTAL, SPECIAL, CONSEQUENTIAL, PUNITIVE OR TORT DAMAGES OF ANY NATURE OR KIND WHATSOEVER, INCLUDING BUT NOT LIMITED TO LOST PROFITS, IN CONNECTION WITH OR ARISING OUT OF THE USE OR PERFORMANCE OF SOFTWARE, SUPPORT MATERIALS, OR THE PROVISION OF SERVICES, EVEN IF THE OTHER PARTY HAS BEEN ADVISED OF THE POSSIBILITY OF SUCH DAMAGES.

Section 11 in this Software License Agreement may also apply to an Evaluation License.

4. LICENSE RESTRICTIONS

4.1 The Licensee may not remove, make emulation, reverse engineer, decompile, or disassemble the Executable Software. Licensee is not allowed to derive the source or assembly code of files provided in executable or object formats. The Licensee accepts that all information gained about the Software is the valuable intellectual property of IAR Systems and as such must be treated as confidential as described under Article 5. The Licensee warrants that it will not sell, license, lease, rent, loan, lend, transmit, network, communicate, or otherwise distribute or transfer the Software in any manner to any third party whether on a permanent or temporary basis, except as explicitly stated in this Agreement. Furthermore the Licensee warrants that it will not use or permit the use of (including without limitation by time sharing or network use) the Software for the benefit of any entity other than the Licensee; or in a computer service business; make unauthorized copies of the documentation; make verbal or media translations of the documentation; make telecommunications data transmissions of the Software; use long-haul gateways on any central processing unit on which the Software is used. The Licensee is also expressly prohibited from adapting, modifying, revising, improving, upgrading, enhancing, and creating derivative works of the Executable Software for any purpose including error correction or any other type of maintenance.

4.2 The Licensee shall keep records of the Licensee's use of Software. The Licensee shall make the records available to either IAR Systems or a neutral third party on reasonable notice, as agreed between the parties. In the case of a neutral third party audit, IAR Systems and Licensee shall in good faith mutually appoint an auditor. Should such an agreement not be reached within 60 days after IAR Systems notice, then the parties agree to have Business Software Alliance conduct such an audit, or itself elect an auditor. The Licensee will permit IAR Systems or a third party, as the case may be, to have access to the Licensee's records and computer systems and to use software audit tools on the Licensee's systems to ensure that the Licensee is

IAR SOFTWARE LICENSE AGREEMENT

using its software in accordance with the applicable license terms. Upon the Licensee's request, the party conducting the audit with the Licensee shall enter into a non-disclosure agreement with the Licensee, to protect the Licensee's propriety and/or confidential information. Information retrieved and/or conveyed to IAR Systems as a result of such an audit as here described shall be limited as to only ensure that the Licensee is using its software in accordance with the applicable license terms, or evidence of the contrary.

4.3 Subject to the other terms herein, and with the Licensee as fully responsible for all actions or omissions of such a consultant, Licensee may let a consultant use the Software for work solely on behalf of the Licensee for the licensed purpose and provided that the Software is not used for any other purpose or third party.

4.4 Upon each and every breach by the Licensee hereunder a contractual penalty amounting to 200% for breach under sections 3.2, 3.3, 3.4, 3.5, 3.6, 3.11, 4.1 or 4.3 and 1000% for breach under section 3.8 of the applicable license fee under the relevant Invoice is payable by the Licensee to IAR Systems. In case IAR Systems' actual damage due to the breach would exceed this amount, also the remainder shall be paid by the Licensee, see also Section 3.8.

5. CONFIDENTIALITY

5.1 The Licensee agrees that all material and information relating to the Software is made available for the use solely under and in accordance with this Agreement. The Licensee has no right at any time during or after cancellation or termination of this Agreement to disclose such material and/or information relating to the Software, whether directly or indirectly, to any third party without IAR Systems' prior written approval. The Licensee shall hold harmless, defend, and indemnify IAR Systems from and against any and all losses, costs, damages, and expenses arising out of or in connection with the Licensee's failure to comply with requirements of this Article 5. The Licensee's confidentiality obligations hereunder shall survive cancellation or termination, for any reason, of this Agreement.

6. PAYMENT TERMS AND CONDITIONS

6.1 In consideration of the rights granted and services rendered by IAR Systems under this Agreement, the Licensee shall pay the license fees for the Software as specified in the Invoice. Payments are to be made according to the payment schedule stated in the Invoice, or if not stated, invoices are payable within 30 days of the invoice date.

6.2 If the Licensee fails to effect payment within the stipulated time, IAR Systems or IAR Distributors shall be entitled to a) charge interest after due date as stated in the Invoice, or if not stated in the invoice, the interest charged will be the reference rate set by Sweden's central bank (the Riksbank) + 8%. b) postpone the fulfilment of any of its own obligations until payment is made, and/or c) terminate the Agreement by notice in writing to the Licensee and recover from the Licensee any and all loss incurred.

6.3 All prices are exclusive of, and the Licensee is responsible for, all fees and taxes, including custom duties, importation fees, sales, use, withholding, gross revenue, and like taxes, dues, and charges assessed or incurred in connection with the provision of goods and services under this Agreement.

7. LIMITED WARRANTY

7.1 IAR Systems warrants that the media on which the Software is recorded upon receipt by the Licensee will be free from defects in materials and faulty workmanship under normal use for a period of ninety (90) days from the date of delivery to the Licensee. During this warranty period IAR Systems will, at its option, after its receipt of the media in return, repair or replace, free of charge, defective media upon which the Software was supplied and record a copy of the Software on the repaired or replacement media. Said repair or replacement shall be the Licensee's exclusive remedy under this media warranty. Notwithstanding the foregoing, IAR Systems shall have no responsibility to repair or replace a media which, in IAR Systems' opinion, has been damaged by the Licensee by accident, abuse, or as a result of attempted self-maintenance service.

7.2 IAR Systems does not warrant that the Software will meet the Licensee's requirements or that the operation of the Software will be uninterrupted and error free. The Licensee is solely responsible for the selection of the Software to achieve its intended results or for the results actually obtained.

7.3 The above warranty does not apply to conditions resulting from improper use, external causes, including service or modifications not performed by IAR Systems or a contractor appointed by IAR Systems, or operation outside the specified environmental parameters. IAR Systems will not be responsible for operation of the Software other than on the host equipment specified in the Invoice and in conjunction with the operating environment designated for each version of the Software. Minor deviations from the above warranty, which are of little importance for the intended use of the Software and which do not cause more than minor inconvenience for the Licensee shall not be considered as breaches of the above warranty.

7.4 THE ABOVE WARRANTY IS IAR SYSTEMS' ONLY WARRANTY WITH REGARD TO THE SOFTWARE AND THIS AGREEMENT AND, SAVE AS PROVIDED IN THIS AGREEMENT, NO OTHER WARRANTY OR CONDITION, EXPRESSED OR IMPLIED, WILL APPLY, AND THE LICENSEE WILL NOT RAISE ANY OTHER CLAIMS BASED ON THE PERFORMANCE OR LACK OF PERFORMANCE OF THE SOFTWARE. IAR SYSTEMS SPECIFICALLY EXCLUDES ALL OTHER WARRANTIES, REPRESENTATIONS OR UNDERTAKINGS, EXPRESS, IMPLIED OR STATUTORY, INCLUDING BUT NOT LIMITED TO ANY IMPLIED WARRANTIES OF

IAR SOFTWARE LICENSE AGREEMENT

MERCHANTABILITY OR FITNESS FOR A PARTICULAR PURPOSE, ABILITY TO ACHIEVE A PARTICULAR RESULT, OR OF ANY OTHER WARRANTY OBLIGATION ON THE PART OF IAR SYSTEMS.

7.5 IAR Systems expressly disclaims any liability for any hardware or software solutions at the Licensee which may affect the performance of the Software, including but not limited to network configurations.

7.6 The provisions of this Article 7 shall survive any expiration or termination of this Agreement.

8. INTELLECTUAL PROPERTY INFRINGEMENT

8.1 IAR Systems will in the way set out in 8.2, and subject to all limitations therein, act on any action brought against the Licensee to the extent it is based on a claim that the Software as it exists on the date of the Invoice infringes any patent or copyright duly issued under the laws of the country under which IAR Systems or the Licensee is organized.

8.2 IAR Systems shall, in the way set out below, as sole remedy, act on a third-party claim that the Software infringes the intellectual property rights of such party, provided that IAR Systems is given prompt notice of such claim and is given information, reasonable assistance, and sole authority to defend or settle the claim. IAR Systems may at its option obtain the right for the Licensee to continue using the infringing IAR Product, replace or modify the infringing Product until it becomes non-infringing, or if such replacement or modification is not reasonably available, terminate this license with respect to the infringing Product and provide for a reasonable refund of fees paid by the Licensee to IAR Systems for the IAR Product so affected.

8.3 IAR Systems shall not have any liability if the alleged infringement arises out of unauthorized use of the Software, postdelivery, non-IAR Systems modifications, or the combination with other products or devices not furnished by IAR Systems. **THE OBLIGATIONS STATED IN THIS SECTION ARE IAR SYSTEMS' SOLE LIABILITIES AND THE LICENSEE'S SOLE REMEDIES FOR INFRINGEMENT OF PATENTS AND COPYRIGHTS. FOR THE AVOIDANCE OF DOUBT: THE LIABILITY OF IAR SYSTEMS UNDER THIS SECTION 8 MAY NEVER EXCEED THE LICENSE FEE PAID BY THE LICENSEE.**

9. FORCE MAJEURE

9.1 Either party shall be excused from fulfilment of any obligation under this Agreement only to the extent that and for so long as such performance is prevented or delayed by an industrial dispute or any other cause beyond its reasonable control, such as, but not limited to, riots; floods; war; warlike hostilities; fires; embargo; shortage of labor, power, fuel, means of transportation, or common lack of other necessities. A party wishing to claim relief under this Article shall forthwith notify the other party in writing on the intervention and on the cessation of such circumstance.

10. LIMITATION OF LIABILITY

10.1 THE USE OF THE SOFTWARE AND ALL CONSEQUENCES ARISING THEREFROM IS THE SOLE RESPONSIBILITY OF LICENSEE. IAR SYSTEMS SHALL NOT BE LIABLE TO THE LICENSEE FOR ANY LOSS OR DAMAGE CAUSED ARISING DIRECTLY OR INDIRECTLY IN CONNECTION WITH THE SOFTWARE, THE USE OF THE SOFTWARE, OR OTHERWISE.

10.2 IAR SYSTEMS' LIABILITY VIS-À-VIS THE LICENSEE UNDER THIS AGREEMENT SHALL UNDER ALL CIRCUMSTANCES BE LIMITED TO FIFTY (50) PER CENT OF THE LICENSE FEE FOR THE SOFTWARE PAID BY THE LICENSEE HEREUNDER, PROVIDED HOWEVER THAT IF SECTION 8 IS APPLICABLE THE TOTAL LIABILITY OF IAR SYSTEMS HEREUNDER MAY INSTEAD NEVER EXCEED 100% OF THE LICENSE FEE PAID BY THE LICENSEE HEREUNDER FOR SUCH SOFTWARE.

10.3 IAR SYSTEMS SHALL IN NO EVENT BE LIABLE TO THE LICENSEE UNDER THIS AGREEMENT FOR ANY SPECIAL, INDIRECT, INCIDENTAL, OR CONSEQUENTIAL DAMAGES UNDER ANY LEGAL THEORY, SUCH AS LOSS OF DATA, USE AND/OR PROFITS, BUSINESS INTERRUPTION OR DOWNTIME COSTS AND CAPITAL COSTS OR CLAIM OF THIRD PARTY, WHETHER ON ACCOUNT OF DEFECTS, PERFORMANCES, NON-PERFORMANCES, DELAYS, PERSONAL INJURIES, PROPERTY DAMAGES, OR OTHERWISE, REGARDLESS WHETHER IAR SYSTEMS HAS BEEN ADVISED OF THE POSSIBILITY OF SUCH DAMAGES.

10.4 NOTHING IN THIS AGREEMENT SHALL EXCLUDE OR LIMIT THE LIABILITY UNDER APPLICABLE COMPULSORY LAW OF IAR SYSTEMS FOR DEATH OR PERSONAL INJURY RESULTING FROM ITS NEGLIGENCE.

10.5 The provisions of this Article 10 shall survive the cancellation or termination of this Agreement.

11. THIRD PARTY RIGHTS

11.1 The IAR Embedded Workbench for Eclipse includes Eclipse Materials. This License does not apply to such Eclipse Material and this is not included in the term "Software" under this License. You agree to comply with all terms and conditions imposed on you in respect of such Eclipse Materials.

11.1.1 The Eclipse Materials are licensed under the terms of the Eclipse Public License (EPL), Version 1.0, a copy of which is included in the Eclipse Materials and also available at <http://www.opensource.org/licenses/eclipse-1.0.php>.

11.2 The IAR Embedded Workbench may include Third Party-Owned software. In addition to all other provisions of this License the Third Party-Owned software shall also be subject to the supplemental terms and conditions governing such Third Party-Owned software. These supplemental terms add to the terms of this License and shall supersede any inconsistent or conflicting terms in this License as they pertain to the

IAR SOFTWARE LICENSE AGREEMENT

Third Party-Owned software. If the Product the Licensee receives hereunder contains Third Party-Owned software the Licensee agree to comply with all terms and conditions imposed on you in respect of such Third Party-Owned software.

11.2.1 The Third Party-Owned Software is subject to the additional terms of each Third Party and a copy of these supplemental terms is available at <http://www.iar.com/en/products/software-licenses>.

12. SUPPORT AND UPDATE AGREEMENT (SUA)

12.1 Excluding what is specified in Section 12.2 and/or Section 7 of this Agreement, this Agreement does not grant the Licensee any right whatsoever to any improvements, modifications, enhancements or updates to the Software, or any other support services relating to the Software.

12.2 To the extent that the license granted includes a time-limited Support and Update Service, the Licensee will be entitled to the services defined in the Support and Update Agreement ("SUA") attached hereto. In the case that the license granted does not include Support and Update Services or in the case where such services have expired, the Licensee may, depending on the nature of the granted license, purchase additional periods of Support and Update Services

12.3 Use of improvements, modifications, enhancements or updates received by the Licensee under IAR Systems' Support and Update Agreement (SUA) or received under Section 7 of this Agreement, shall be governed by the terms and conditions contained herein.

13. TERMINATION OF THE AGREEMENT

13.1 IAR Systems shall have the right to terminate this Agreement with immediate effect if the Licensee is in breach of any of its obligations under this Agreement, including, but not limited to (a) use of the Software in any manner other than pursuant to the rights granted in Article 3 and 4, (b) breach of the confidentiality provisions of Article 5, or (c) failure of the Licensee to remit payments as provided in Article 6.

13.2 This Agreement will terminate immediately without notice if Licensee suspends its payments, becomes bankrupt or insolvent or enters into liquidation or otherwise can be regarded as insolvent.

13.3 Upon IAR Systems' termination of this Agreement, as set out in this Article, then, IAR Systems may, at its option, and in addition to any other rights hereunder, and in addition to any other remedies available to IAR Systems under the law, in writing require the Licensee to return or destroy all versions of the Software and the Documentation and any and all documentation relating thereto on any media and in any form in Licensee's possession. Licensee shall give a written confirmation to IAR Systems that all material related to the Software and its operation has been returned to IAR Systems or destroyed. The provisions of this Section 13.3 shall survive the cancellation or termination of this Agreement.

14. EXPORT CONTROL REGULATIONS

14.1 The Software and the Documentation is subject to export or import regulations in various countries, including the regulations of the United States Export Administration Act. The Licensee hereby agrees that the Licensee will not knowingly (a) export or reexport, directly or indirectly, any product or technical data or any controlled products restricted by applicable national regulations, including software, received from IAR Systems under this agreement, (b) disclose such technical data for use in, or (c) export or reexport, directly or indirectly, any direct product of such technical data or of such other controlled products, including software, to any destination to which such export or reexport is restricted or prohibited by U.S. or applicable non-U.S. law, without obtaining prior written consent of IAR Systems.

15. MISCELLANEOUS

15.1 This Agreement shall not in any situation be assignable or transferable in whole or in part by either party, without the prior written approval of the other party. This notwithstanding, IAR Systems shall be entitled to assign this Agreement in whole or in part to a company within the IAR Systems Group, and IAR Systems may assign this Agreement without penalty or detriment to its rights under this Agreement, and without the Licensee's prior written consent, in the event of a merger or similar reorganization or sale of substantially all of IAR Systems' assets.

15.2 No alteration or amendment to this Agreement shall be valid unless such alteration or amendment is made in writing and signed by the parties hereto.

15.3 Any notice or other communication under this Agreement shall be made in writing either by hand or by telefax (confirmed by airmail) or by certified or registered airmail first-class postage prepaid to the parties at the addresses stated in the Invoice (or at such other address a party may specify by written notice to the other).

15.4 This Agreement contains the entire understanding between the parties on its subject matter, and annuls and replaces any other agreements or understandings, whether written or oral, which may exist or have existed between the parties on the subject matter hereof.

15.5 This Agreement shall be governed by and construed in accordance with the substantive to the courts of the country in which IAR Systems is incorporated. Any dispute concerning this agreement or the interpretation or validity thereof, or any other dispute based thereon, shall be submitted to the courts of the country in which IAR Systems is incorporated.

IAR SOFTWARE LICENSE AGREEMENT

15.6 The provisions of this Article 15 shall survive the cancellation or termination of this Agreement. This document contains Third Party Software Notices and/or Additional Terms and Conditions for licensed third party software components included within IAR Systems software product **IAR Embedded Workbench**. These notices and/or additional terms and conditions are made a part of and incorporated by reference into the IAR Software License Agreement.

1. Components used internally in IAR Embedded Workbench

Third Party Software	Notice/Terms
SCINTILLA	<p>License for Scintilla and SciTE Copyright 1998-2002 by Neil Hodgson. All Rights Reserved. Permission to use, copy, modify, and distribute this software and its documentation for any purpose and without fee is hereby granted, provided that the above copyright notice appear in all copies and that both that copyright notice and this permission notice appear in supporting documentation. NEIL HODGSON DISCLAIMS ALL WARRANTIES WITH REGARD TO THIS SOFTWARE, INCLUDING ALL IMPLIED WARRANTIES OF MERCHANTABILITY AND FITNESS, IN NO EVENT SHALL NEIL HODGSON BE LIABLE FOR ANY SPECIAL, INDIRECT OR CONSEQUENTIAL DAMAGES OR ANY DAMAGES WHATSOEVER RESULTING FROM LOSS OF USE, DATA OR PROFITS, WHETHER IN AN ACTION OF CONTRACT, NEGLIGENCE OR OTHER TORTIOUS ACTION, ARISING OUT OF OR IN CONNECTION WITH THE USE OR PERFORMANCE OF THIS SOFTWARE</p>
IBM ICU	<p>ICU License - ICU 1.8.1 and later COPYRIGHT AND PERMISSION NOTICE Copyright (c) 1995-2003 International Business Machines Corporation and others All rights reserved. Permission is hereby granted, free of charge, to any person obtaining a copy of this software and associated documentation files (the "Software"), to deal in the Software without restriction, including without limitation the rights to use, copy, modify, merge, publish, distribute, and/or sell copies of the Software, and to permit persons to whom the Software is furnished to do so, provided that the above copyright notice(s) and this permission notice appear in all copies of the Software and that both the above copyright notice(s) and this permission notice appear in supporting documentation. THE SOFTWARE IS PROVIDED "AS IS", WITHOUT WARRANTY OF ANY KIND, EXPRESS OR IMPLIED, INCLUDING BUT NOT LIMITED TO THE WARRANTIES OF MERCHANTABILITY, FITNESS FOR A PARTICULAR PURPOSE AND NONINFRINGEMENT OF THIRD PARTY RIGHTS. IN NO EVENT SHALL THE COPYRIGHT HOLDER OR HOLDERS INCLUDED IN THIS NOTICE BE LIABLE FOR ANY CLAIM, OR ANY SPECIAL INDIRECT OR CONSEQUENTIAL DAMAGES, OR ANY DAMAGES WHATSOEVER RESULTING FROM LOSS OF USE, DATA OR PROFITS, WHETHER IN AN ACTION OF CONTRACT, NEGLIGENCE OR OTHER TORTIOUS ACTION, ARISING OUT OF OR IN CONNECTION WITH THE USE OR PERFORMANCE OF THIS SOFTWARE. Except as contained in this notice, the name of a copyright holder shall not be used in advertising or otherwise to promote the sale, use or other dealings in this Software without prior written authorization of the copyright holder. All trademarks and registered trademarks mentioned herein are the property of their respective owners</p>

IAR SOFTWARE LICENSE AGREEMENT

Apache	<p>The Apache Software License, Version 1.1 Copyright (c) 1999-2003 The Apache Software Foundation. All rights reserved. Redistribution and use in source and binary forms, with or without modification, are permitted provided that the following conditions are met:</p> <ol style="list-style-type: none">1. Redistributions of source code must retain the above copyright notice, this list of conditions and the following disclaimer.2. Redistributions in binary form must reproduce the above copyright notice, this list of conditions and the following disclaimer in the documentation and/or other materials provided with the distribution.3. The end-user documentation included with the redistribution, if any, must include the following acknowledgment: "This product includes software developed by the Apache Software Foundation (http://www.apache.org/)." Alternately, this acknowledgment may appear in the software itself, if and wherever such third-party acknowledgments normally appear.4. The names "Xerces" and "Apache Software Foundation" must not be used to endorse or promote products derived from this software without prior written permission. For written permission, please contact apache@apache.org.5. Products derived from this software may not be called "Apache", nor may "Apache" appear in their name, without prior written permission of the Apache Software Foundation. <p>THIS SOFTWARE IS PROVIDED ``AS IS'' AND ANY EXPRESSED OR IMPLIED WARRANTIES, INCLUDING, BUT NOT LIMITED TO, THE IMPLIED WARRANTIES OF MERCHANTABILITY AND FITNESS FOR A PARTICULAR PURPOSE ARE DISCLAIMED. IN NO EVENT SHALL THE APACHE SOFTWARE FOUNDATION OR ITS CONTRIBUTORS BE LIABLE FOR ANY DIRECT, INDIRECT, INCIDENTAL, SPECIAL, EXEMPLARY, OR CONSEQUENTIAL DAMAGES (INCLUDING, BUT NOT LIMITED TO, PROCUREMENT OF SUBSTITUTE GOODS OR SERVICES; LOSS OF USE, DATA, OR PROFITS; OR BUSINESS INTERRUPTION) HOWEVER CAUSED AND ON ANY THEORY OF LIABILITY, WHETHER IN CONTRACT, STRICT LIABILITY, OR TORT (INCLUDING NEGLIGENCE OR OTHERWISE) ARISING IN ANY WAY OUT OF THE USE OF THIS SOFTWARE, EVEN IF ADVISED OF THE POSSIBILITY OF SUCH DAMAGE.</p> <p>This software consists of voluntary contributions made by many individuals on behalf of the Apache Software Foundation and was originally based on software copyright (c) 1999, International Business Machines, Inc., http://www.ibm.com. For more information on the Apache Software Foundation, please see http://www.apache.org/</p>
LLVM	<p>LLVM Release License University of Illinois/NCSA. Open Source License. Copyright (c) 2003-2011 University of Illinois at Urbana-Champaign. All rights reserved. Developed by: LLVM Team University of Illinois at Urbana-Champaign. http://llvm.org Permission is hereby granted, free of charge, to any person obtaining a copy of this software and associated documentation files (the "Software"), to deal with the Software without restriction, including without limitation the rights to use, copy, modify, merge, publish, distribute, sublicense, and/or sell copies of the Software, and to permit persons to whom the Software is furnished to do so, subject to the following conditions:</p> <p>* Redistributions of source code must retain the above copyright notice, this list of conditions and the following disclaimers. * Redistributions in binary form must reproduce the above copyright notice, this list of conditions and the following disclaimers in the documentation and/or other materials provided with the distribution. * Neither the names of the LLVM Team, University of Illinois at Urbana-Champaign, nor the names of its contributors may be used to endorse or promote products derived from this Software without specific prior written permission.</p> <p>THE SOFTWARE IS PROVIDED "AS IS", WITHOUT WARRANTY OF ANY KIND, EXPRESS OR IMPLIED, INCLUDING BUT NOT LIMITED TO THE WARRANTIES OF MERCHANTABILITY, FITNESS FOR A PARTICULAR PURPOSE AND NONINFRINGEMENT. IN NO EVENT SHALL THE CONTRIBUTORS OR COPYRIGHT HOLDERS BE LIABLE FOR ANY CLAIM, DAMAGES OR OTHER LIABILITY, WHETHER IN AN ACTION OF CONTRACT, TORT OR OTHERWISE, ARISING FROM, OUT OF OR IN CONNECTION WITH THE SOFTWARE OR THE USE OR OTHER DEALINGS WITH THE SOFTWARE..</p>

IAR Third Party Software License/Notices

Boost C++ Libraries	<p>Boost Software License - Version 1.0 - August 17th, 2003</p> <p>Permission is hereby granted, free of charge, to any person or organization obtaining a copy of the software and accompanying documentation covered by this license (the "Software") to use, reproduce, display, distribute, execute, and transmit the Software, and to prepare derivative works of the Software, and to permit third-parties to whom the Software is furnished to do so, all subject to the following: The copyright notices in the Software and this entire statement, including the above license grant, this restriction and the following disclaimer, must be included in all copies of the Software, in whole or in part, and all derivative works of the Software, unless such copies or derivative works are solely in the form of machine-executable object code generated by a source language processor.</p> <p>THE SOFTWARE IS PROVIDED "AS IS", WITHOUT WARRANTY OF ANY KIND, EXPRESS OR IMPLIED, INCLUDING BUT NOT LIMITED TO THE WARRANTIES OF MERCHANTABILITY, FITNESS FOR A PARTICULAR PURPOSE, TITLE AND NON-INFRINGEMENT. IN NO EVENT SHALL THE COPYRIGHT HOLDERS OR ANYONE DISTRIBUTING THE SOFTWARE BE LIABLE FOR ANY DAMAGES OR OTHER LIABILITY, WHETHER IN CONTRACT, TORT OR OTHERWISE, ARISING FROM, OUT OF OR IN CONNECTION WITH THE SOFTWARE OR THE USE OR OTHER DEALINGS IN THE SOFTWARE.</p>
Protocol Buffers	<p>Protocol Buffers - Google's data interchange format</p> <p>Copyright 2008 Google Inc. All rights reserved. http://code.google.com/p/protobuf/</p> <p>Redistribution and use in source and binary forms, with or without modification, are permitted provided that the following conditions are met:</p> <ul style="list-style-type: none">* Redistributions of source code must retain the above copyright notice, this list of conditions and the following disclaimer.* Redistributions in binary form must reproduce the above copyright notice, this list of conditions and the following disclaimer in the documentation and/or other materials provided with the distribution.* Neither the name of Google Inc. nor the names of its contributors may be used to endorse or promote products derived from this software without specific prior written permission. <p>THIS SOFTWARE IS PROVIDED BY THE COPYRIGHT HOLDERS AND CONTRIBUTORS "AS IS" AND ANY EXPRESS OR IMPLIED WARRANTIES, INCLUDING, BUT NOT LIMITED TO, THE IMPLIED WARRANTIES OF MERCHANTABILITY AND FITNESS FOR A PARTICULAR PURPOSE ARE DISCLAIMED. IN NO EVENT SHALL THE COPYRIGHT OWNER OR CONTRIBUTORS BE LIABLE FOR ANY DIRECT, INDIRECT, INCIDENTAL, SPECIAL, EXEMPLARY, OR CONSEQUENTIAL DAMAGES (INCLUDING, BUT NOT LIMITED TO, PROCUREMENT OF SUBSTITUTE GOODS OR SERVICES; LOSS OF USE, DATA, OR PROFITS; OR BUSINESS INTERRUPTION) HOWEVER CAUSED AND ON ANY THEORY OF LIABILITY, WHETHER IN CONTRACT, STRICT LIABILITY, OR TORT (INCLUDING NEGLIGENCE OR OTHERWISE) ARISING IN ANY WAY OUT OF THE USE OF THIS SOFTWARE, EVEN IF ADVISED OF THE POSSIBILITY OF SUCH DAMAGE.</p>

2. Components potentially used in customer applications

Third Party Software	Notice/Terms
dllmalloc	Version of malloc/free/realloc (aka dllmalloc) written by Doug Lea and released to the public domain, as explained at http://creativecommons.org/publicdomain/zero/1.0/ .

IAR SOFTWARE LICENSE AGREEMENT

<p>Dinkum C++ Library</p>	<p>Dinkum Abridged/C Library Sub license Definition: The term “Licensed Source” shall mean the Dinkum Abridged Library source code, the Dinkum C Library source code and the Dinkum Abridged Library Reference, or a later version of the same products. A Sub license is granted solely in conjunction with, and for use with IAR C/EC++/C++ Cross Compiler owned by IAR Systems AB. The Sub Licensee shall supply to Dinkumware Ltd (“Licensor”) with the following protections:</p> <p>(a)Plauger’s ownership. a.Sub Licensee acknowledges and agrees that: *Title and all rights of ownership to the Licensed Source, and all copies of all or any part thereof, are and remain with Plauger; *Sub Licensee shall not lend, sell, lease, hypothecate or otherwise dispose of the Licensed Source. *All copies of the Licensed Source, or any part thereof, in any form whatsoever, including but not limited to, forms cognizable to the human eye (directly, or upon enlargement or translation), or to data processing or other equipment, shall be the sole and exclusive property of Plauger, as described immediately above; and *Licensor has represented that the Licensed Source may contain Licensor’s trade secrets and proprietary information, whether or not any portion thereof is or may be copyrighted or patented. b.Sub Licensee agrees to preserve unchanged all copyright notices in all copies of the Licensed Source. c.Licensor acknowledges and agrees that Sub Licensee shall have no obligation to deliver or disclose to Licensor any modifications that Sub Licensee makes to the Licensed Source, ant that Sub Licensee shall own and have exclusive marketing rights to any such undisclosed modifications. d.Sub Licensee acknowledges and agrees that any modifications that Sub Licensee makes to the Licensed Source and discloses to Licensor, unless otherwise indicated in writing by Sub Licensee on or before disclosure (“Disclosed Modifications”), shall become the property of Plauger. Disclosed Modifications to the Licensed Library Source shall become the property of Plauger. Sub Licensee hereby assigns to Plauger all of Sub Licensee’s right, title, and interest in and to such Disclosed Modifications and in and to the copyrights and all other rights in the Disclosed Modifications. (b) License. a.Licensor hereby grants to Sub Licensee a personal, non-exclusive, and non-transferable license to use or modify the Licensed Source for its own internal business purposes solely in conjunction with IAR C/EC++/C++ Cross Compiler owned by IAR Systems. b.Notwithstanding the foregoing, Sub Licensee may make only such copies of the Licensed Source as are reasonably necessary for it to exercise its right hereunder. Sub Licensee acknowledges that it may not sell, assign, sublicense, lease or otherwise transfer, or permit others to use or execute the Licensed Source, or any port thereof, or any modification or improvement of the Licensed Source, or any object code which is derived from the Licensed Source. c.Sub Licensee agrees to comply with all applicable laws, regulations, rulings, and executive order from the United States relating to the export or re-export of the Licensed Source, and with all applicable foreign laws which must be complied with in order to protect or preserve Licensor’s copyright(s), trade secret(s), and other proprietary rights in and to the Licensed Source. Sub Licensee agrees that it will not knowingly ship or divert the Licensed Source for use in any country which has ratified neither the Berne Copyright Convention nor the Universal Copyright Convention without first obtaining written permission from Licensor. (c)Warranty and Disclaimer of Warranty. a.Licensor warrants that, at the time of delivery, the Licensed Source will be in good operating condition and will be Standard Conforming in all essential respects. b.Licensor represents and warrants that it is not aware that the Licensed Source is created in whole or in part by violation of the protected trade secret of another or that the Licensed Source infringes any U.S. patent or copyright.</p> <p>c.THE FOREGOING LIMITED WARRANTIES ARE THE ONLY WARRANTIES OF LICENSOR TO SUB LICENSEE AND ARE IN LIEU OF ALL OTHER WARRANTIES, EXPRESS OR IMPLIED, INCLUDING, BUT NOT LIMITED TO, THE IMPLIED WARRANTIES OF MERCHANTABILITY AND FITNESS FOR A PARTICULAR PURPOSE.</p> <p>(d)Limitation of Liability. a.In no event shall Licensor be liable to Sub Licensee for any lost profits, incidental, special, exemplary, punitive, indirect or other consequential damages, even if Licensor knows or has been advised of the possibility of such damages, or for any claim against Sub Licensee by any other person or entity, or for any damage caused by Sub Licensee’s failure to perform its responsibilities.</p>
--------------------------------------	--

Updated: 2013-02-15. IAR Systems AB.

Freescale MQX RTOS 4.0.2

IMPORTANT. Read the following Freescale Semiconductor Software License Agreement ("Agreement") completely. By selecting the "I Accept" button below, you indicate that you accept the terms of this Agreement. You may then install the software.

FREESCALE SEMICONDUCTOR SOFTWARE LICENSE AGREEMENT

This is a legal agreement between you (either as an individual or as an authorized representative of your employer) and Freescale Semiconductor, Inc. ("Freescale"). It concerns your rights to use this file and any accompanying written materials (the "Software"). In consideration for Freescale allowing you to access the Software, you are agreeing to be bound by the terms of this Agreement. If you do not agree to all of the terms of this Agreement, do not download the Software. If you change your mind later, stop using the Software and delete all copies of the Software in your possession or control. Any copies of the Software that you have already distributed, where permitted, and do not destroy will continue to be governed by this Agreement. Your prior use will also continue to be governed by this Agreement.

LICENSE GRANT. Exclusively in conjunction with Licensee's development and sale of a product containing a programmable processing unit (e.g., a microprocessor, microcontroller, or digital signal processor) supplied directly or indirectly from Freescale ("Freescale System") and listed under "By Products" on the Freescale MQX website (www.freescale.com/mqx), Freescale grants to you, free of charge, the non-exclusive, non-transferable right (1) to use the Software, (2) to reproduce the Software, (3) to prepare derivative works of the Software, (4) to distribute the Software and derivative works thereof in object (machine-readable) form as part of a Freescale System, and (5) to sublicense to others the right to use the distributed Software as included within the Freescale System. You must prohibit your sublicensees from translating, reverse engineering, decompiling, or disassembling the Software except to the extent applicable law specifically prohibits such restriction. If you violate any of the terms or restrictions of this Agreement, Freescale may immediately terminate this Agreement, and require that you stop using and delete all copies of the Software in your possession or control.

COPYRIGHT. The Software is licensed to you, not sold. Freescale owns the Software, and United States copyright laws and international treaty provisions protect the Software. Therefore, you must treat the Software like any other copyrighted material (e.g. a book or musical recording). You may not use or copy the Software for any other purpose than what is described in this Agreement. Except as expressly provided herein, Freescale does not grant to you any express or implied rights under any Freescale or third-party patents, copyrights, trademarks, or trade secrets. Additionally, you must reproduce and apply any copyright or other proprietary rights notices included on or embedded in the Software to any copies or derivative works made thereof, in whole or in part, if any.

SUPPORT. Freescale is NOT obligated to provide any support, upgrades or new releases of the Software. If you wish, you may contact Freescale and report problems and provide suggestions regarding the Software. Freescale has no obligation whatsoever to respond in any way to such a problem report or suggestion. Freescale may make changes to the Software at any time, without any obligation to notify or provide updated versions of the Software to you.

NO WARRANTY. TO THE MAXIMUM EXTENT PERMITTED BY LAW, FREESCALE EXPRESSLY DISCLAIMS ANY WARRANTY FOR THE SOFTWARE. THE SOFTWARE IS PROVIDED "AS IS", WITHOUT WARRANTY OF ANY KIND, EITHER EXPRESS OR IMPLIED, INCLUDING, WITHOUT LIMITATION, THE IMPLIED WARRANTIES OF MERCHANTABILITY, FITNESS FOR A PARTICULAR PURPOSE, OR NON-INFRINGEMENT. YOU ASSUME THE ENTIRE RISK ARISING OUT OF THE USE OR PERFORMANCE OF THE SOFTWARE, OR ANY SYSTEMS YOU DESIGN USING THE SOFTWARE (IF ANY). NOTHING IN THIS AGREEMENT MAY BE CONSTRUED AS A WARRANTY OR REPRESENTATION BY FREESCALE THAT THE SOFTWARE OR ANY DERIVATIVE WORK DEVELOPED WITH OR INCORPORATING THE SOFTWARE WILL BE FREE FROM INFRINGEMENT OF THE INTELLECTUAL PROPERTY RIGHTS OF THIRD PARTIES.

INDEMNITY. You agree to fully defend and indemnify Freescale from any and all claims, liabilities, and costs (including reasonable attorney's fees) related to (1) your use (including your sublicensee's use, if permitted) of the Software or (2) your violation of the terms and conditions of this Agreement.

LIMITATION OF LIABILITY. IN NO EVENT WILL FREESCALE BE LIABLE, WHETHER IN CONTRACT, TORT, OR OTHERWISE, FOR ANY INCIDENTAL, SPECIAL, INDIRECT, CONSEQUENTIAL OR PUNITIVE DAMAGES, INCLUDING, BUT NOT LIMITED TO, DAMAGES FOR ANY LOSS OF USE, LOSS OF TIME, INCONVENIENCE, COMMERCIAL LOSS, OR LOST PROFITS, SAVINGS, OR REVENUES TO THE FULL EXTENT SUCH MAY BE DISCLAIMED BY LAW.

Freescale MQX RTOS 4.0.2

COMPLIANCE WITH LAWS; EXPORT RESTRICTIONS. You must use the Software in accordance with all applicable U.S. laws, regulations and statutes. You agree that neither you nor your licensees (if any) intend to or will, directly or indirectly, export or transmit the Software to any country in violation of U.S. export restrictions.

GOVERNMENT USE. Use of the Software and any corresponding documentation, if any, is provided with RESTRICTED RIGHTS. Use, duplication or disclosure by the Government is subject to restrictions as set forth in subparagraph (c)(1)(ii) of The Rights in Technical Data and Computer Software clause at DFARS 252.227-7013 or subparagraphs (c)(1) and (2) of the Commercial Computer Software – Restricted Rights at 48 CFR 52.227-19, as applicable. Manufacturer is Freescale Semiconductor, Inc., 6501 William Cannon Drive West, Austin, TX, 78735.

HIGH RISK ACTIVITIES. You acknowledge that the Software is not fault tolerant and is not designed, manufactured or intended by Freescale for incorporation into products intended for use or resale in on-line control equipment in hazardous, dangerous to life or potentially life-threatening environments requiring fail-safe performance, such as in the operation of nuclear facilities, aircraft navigation or communication systems, air traffic control, direct life support machines or weapons systems, in which the failure of products could lead directly to death, personal injury or severe physical or environmental damage ("High Risk Activities"). You specifically represent and warrant that you will not use the Software or any derivative work of the Software for High Risk Activities.

CHOICE OF LAW; VENUE; LIMITATIONS. You agree that the statutes and laws of the United States and the State of Texas, USA, without regard to conflicts of laws principles, will apply to all matters relating to this Agreement or the Software, and you agree that any litigation will be subject to the exclusive jurisdiction of the state or federal courts in Texas, USA. You agree that regardless of any statute or law to the contrary, any claim or cause of action arising out of or related to this Agreement or the Software must be filed within one (1) year after such claim or cause of action arose or be forever barred.

PRODUCT LABELING. You are not authorized to use any Freescale trademarks, brand names, or logos.

ENTIRE AGREEMENT. This Agreement constitutes the entire agreement between you and Freescale regarding the subject matter of this Agreement, and supersedes all prior communications, negotiations, understandings, agreements or representations, either written or oral, if any. This Agreement may only be amended in written form, executed by you and Freescale.

SEVERABILITY. If any provision of this Agreement is held for any reason to be invalid or unenforceable, then the remaining provisions of this Agreement will be unimpaired and, unless a modification or replacement of the invalid or unenforceable provision is further held to deprive you or Freescale of a material benefit, in which case the Agreement will immediately terminate, the invalid or unenforceable provision will be replaced with a provision that is valid and enforceable and that comes closest to the intention underlying the invalid or unenforceable provision.

NO WAIVER. The waiver by Freescale of any breach of any provision of this Agreement will not operate or be construed as a waiver of any other or a subsequent breach of the same or a different provision.

RUSTEHNKA

RUSTEHNKA

RUSTEHNKA

RUSTEHNKA

RUSTEHNKA

RUSTEHNKA

RUSTEHNKA

RUSTEHNKA

RUSTEHNKA

The Robinair unit is designed to meet all applicable agency certifications, including Underwriter's Laboratories, Inc., SAE Standards, and CUL. Certain state and local jurisdictions dictate that using this equipment to sell refrigerant by weight may not be permitted. We recommend charging for any A/C service by the job performed. This weight scale provides a means of metering the amount of refrigerant needed for optimum A/C system performance as recommended by OEM manufacturers.

Das Robinair-Klimaservicegerät erfüllt sämtliche konstruktiven Vorgaben der einschlägigen Prüfstellen einschließlich der Underwriter's Laboratories, Inc., der SAE-Normen und CUL-Vorschriften. In bestimmten Ländern ist die Verwendung dieses Geräts zum Verkauf von Kältemittel nach Gewicht nicht gestattet. Wir empfehlen in diesem Fall, den Füllservice an der Klimaanlage pauschal abzurechnen. Die Waage misst die Kältemittelmenge, die laut Empfehlungen der OEM Hersteller zum optimalen Betrieb der jeweiligen Klimaanlage erforderlich ist.

La stazione Robinair risponde ai requisiti di tutte le pertinenti certificazioni normative: Underwriter's Laboratories, Inc., SAE Standards e CUL. Alcuni Stati e giurisdizioni locali vietano l'uso di questa stazione per la vendita di refrigerante a peso. Consigliamo di fare pagare per qualsiasi servizio su impianti A/C in base al lavoro eseguito. Questa bilancia consente di dosare la quantità di refrigerante necessaria per ottenere prestazioni ottimali dall'impianto A/C come consigliato dai produttori di apparecchiature originali (OEM).

La unidad Robinair se ha diseñado para satisfacer todas las certificaciones de los organismos competentes, incluidos los estándares UL, SAE y CUL. Algunas legislaciones locales y nacionales estipulan la prohibición de utilizar este equipo para vender refrigerante al peso. Recomendamos que en todo servicio de mantenimiento de aire acondicionado se cargue en función del trabajo realizado. Esta báscula supone una forma de medir la cantidad de refrigerante necesaria para conseguir el rendimiento óptimo del sistema de aire acondicionado tal como recomiendan los fabricantes OEM.

A unidade Robinair foi concebida para satisfazer todas as certificações das agências aplicáveis, incluindo Underwriter's Laboratories, Inc., normas SAE e CUL. Certas jurisdições estaduais e local ditam que a utilização deste equipamento para vender refrigerante por peso pode não ser permitida. Recomendamos que cobre por qualquer operação de assistência ao A/C realizada. Esta escala de peso fornece um meio de medição da quantidade de refrigerante necessário para um ótimo desempenho do sistema de A/C como recomendado pelos fabricantes OEM.

La station Robinair a été conçue de manière à ce qu'elle soit conforme à toutes les certifications d'agence applicables, y compris les laboratoires des assureurs (U.L.), Inc., les normes SAE et CUL. Il se peut que certains États et juridictions locales interdisent d'utiliser cet équipement pour vendre du réfrigérant au poids. Nous vous conseillons d'appliquer une tarification pour l'entretien des climatisations en fonction du travail effectué. L'échelle de poids permet d'évaluer la quantité de réfrigérant nécessaire pour garantir les meilleures performances des systèmes de climatisation conformément aux recommandations des équipementiers.

Due to ongoing product improvements, we reserve the right to change design, specifications, and materials without notice.

Aufgrund kontinuierlicher technischer Produktverbesserungen bleiben Änderungen der Konstruktion, technischen Daten und Werkstoffe ohne Vorankündigung vorbehalten.

A causa del nostro processo di miglioramento continuo dei prodotti, ci riserviamo il diritto di modificare senza preavviso le caratteristiche progettuali, i dati tecnici e i materiali.

Debido a las mejoras en curso del producto, nos reservamos el derecho a cambiar el diseño, las especificaciones y los materiales sin previo aviso.

Devido a melhorias contínuas do produto, reservamos-nos o direito de alterar o design, as especificações e os materiais sem aviso prévio.

Suite à l'amélioration continue de nos produits, nous nous réservons le droit de modifier leur conception, leurs spécifications et leurs matériaux sans préavis.

BOSCH AUTOMOTIVE SERVICE SOLUTIONS S.R.I.
VIA PROVINCIALE 12
IT-43038 SALA BAGANZA (PR)