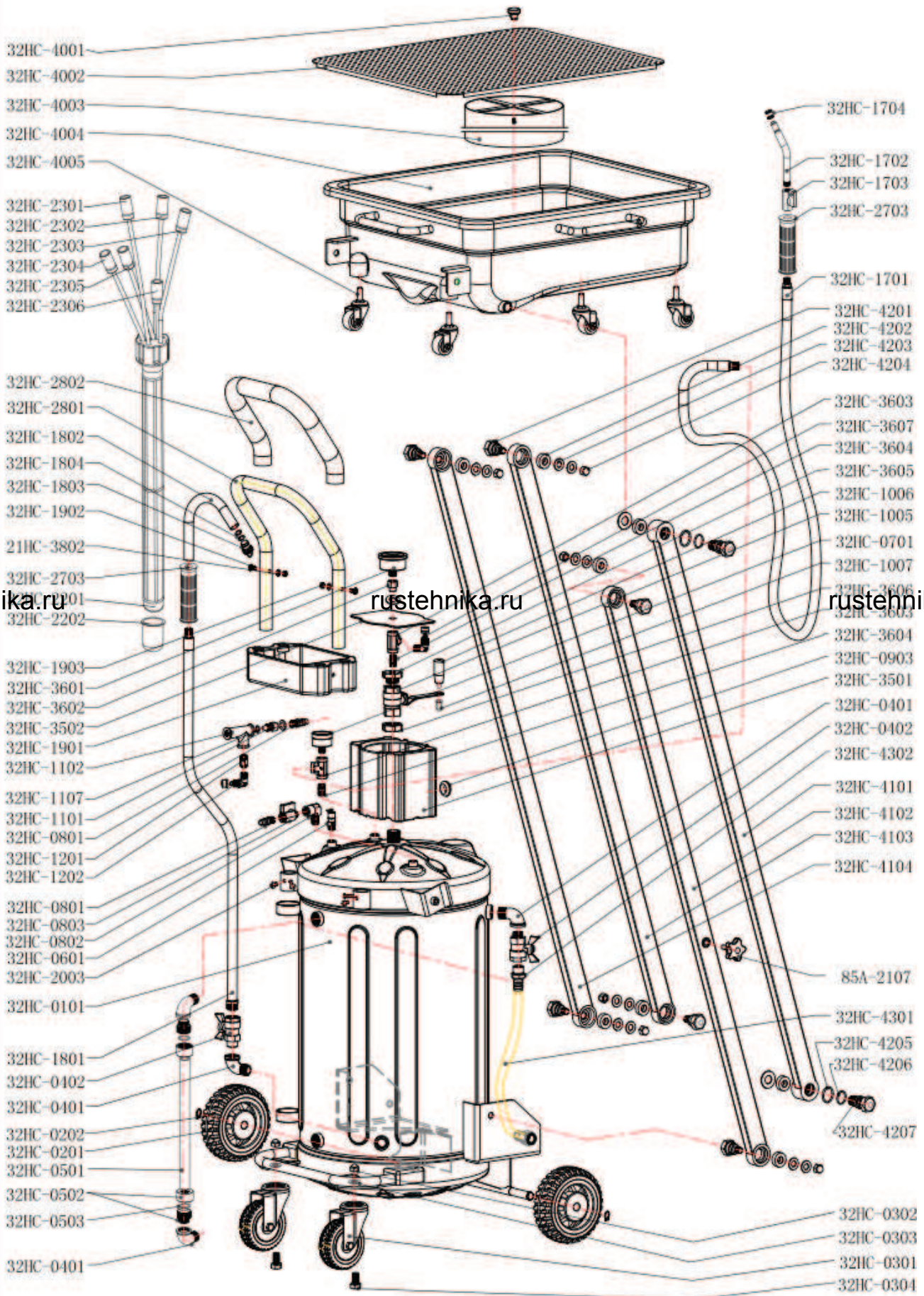


VII Picture attached



rustehnika.ru

rustehnika.ru

rustehnika.ru

HC-3285A			
No.	name	qty	unit
21HC-3802	gasket	2	pcs
32HC-0101	tank	1	pcs
32HC-0201	directional wheel	2	pcs
32HC-0202	elbow connector	2	pcs
32HC-0301	universal wheel	2	pcs
32HC-0302	nut	2	pcs
32HC-0303	gasket	2	pcs
32HC-0304	thread rod	2	pcs
32HC-0401	cast-iron bend	3	pcs
32HC-0402	butterfly valve	1	pcs
32HC-0501	level pipe	0.38	m
32HC-0502	fixing sleeve	2	set
32HC-0503	seal ring	2	pcs
32HC-0601	safe valve	1	pcs
32HC-0701	pressure gauge	1	pcs
32HC-0801	wind nozzle	2	pcs
32HC-0802	elbow connector	2	pcs
32HC-0803	mini ball valve	1	pcs
32HC-0903	bushing	1	pcs
32HC-1005	ball valve	1	pcs
32HC-1006	hand lever	1	pcs
32HC-1007	nut	1	pcs
32HC-1101	Bolt	1	pcs
32HC-1102	vacuum generator	1	pcs
32HC-1107	seal ring	1	pcs
32HC-1201	bead valve	1	set
32HC-1202	elbow connector	1	pcs
32HC-1701	extraction oil hose	2	m
32HC-1702	oil extraction hook	1	pcs
32HC-1703	mini ball valve	1	pcs
32HC-1704	seal ring	2	pcs
32HC-1801	oil hose	2	m
32HC-1802	oil drain hook	1	pcs
32HC-1803	stopper	1	pcs
32HC-1804	seal ring	2	pcs
32HC-1901	tool box	1	pcs
32HC-1902	bolt	2	pcs
32HC-1903	nut	2	pcs
32HC-2003	hexagonal screw	4	pcs

32HC-2201	probe sleeve	1	pcs
32HC-2202	oil cup	1	pcs
32HC-2301	oil extraction probe	1	pcs
32HC-2302	oil extraction probe	1	pcs
32HC-2303	oil extraction probe	1	pcs
32HC-2304	oil extraction probe	1	pcs
32HC-2305	oil extraction probe	1	pcs
32HC-2306	oil extraction probe	1	pcs
32HC-2703	handle sleeve	2	pcs
32HC-2801	handrail	1	pcs
32HC-2802	protection sheath	1	pcs
32HC-3501	middle sleeve	1	pcs
32HC-3502	metal cover plate	1	pcs
32HC-3601	vacuum gauge	1	pcs
32HC-3602	connector	1	pcs
32HC-3603	T-connector	2	pcs
32HC-3604	straight connector	2	pcs
32HC-3605	connector	1	pcs
32HC-3606	nut	1	pcs
32HC-3607	elbow connector	1	pcs
32HC-4001	Screw cap	1	pcs
32HC-4002	strainer	1	pcs
32HC-4003	strainer support frame	1	pcs
32HC-4004	oil tray	1	pcs
32HC-4005	universal wheel	4	pcs
32HC-4101	supporting rod A	1	pcs
32HC-4102	supporting rod B	1	pcs
32HC-4103	supporting rod C	1	pcs
32HC-4104	supporting rod D	1	pcs
32HC-4201	Location bolt	6	pcs
32HC-4202	Bearing	8	pcs
32HC-4203	gasket	16	pcs
32HC-4204	nut	8	pcs
32HC-4205	seal ring	8	pcs
32HC-4206	seal ring	8	pcs
32HC-4207	Location bolt	2	pcs
32HC-4301	Steel wire hose	1	pcs
32HC-4302	pagoda	1	pcs
85A-2107	knob	1	pcs