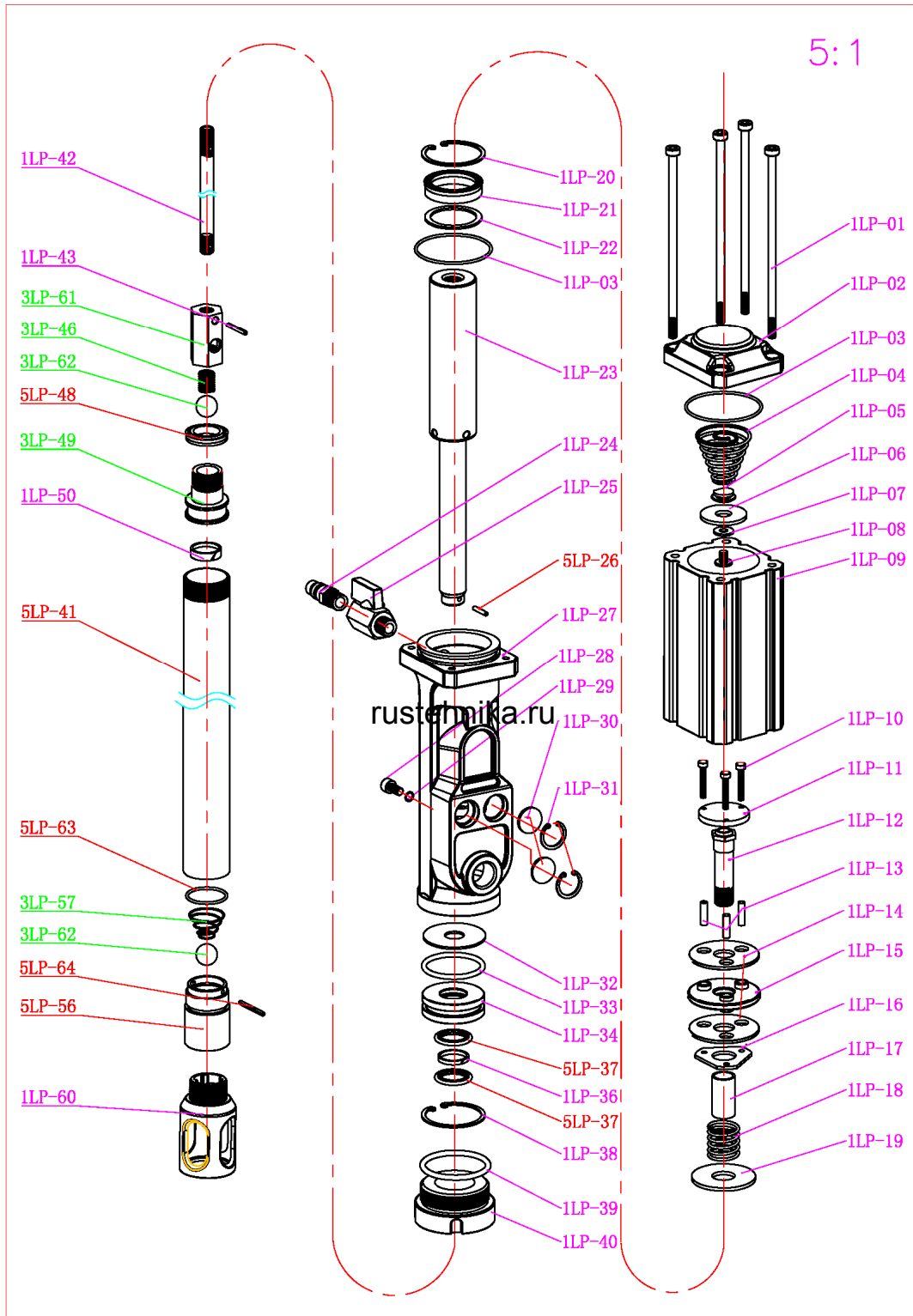


Explosive view(Pump)



rustehnika.ru

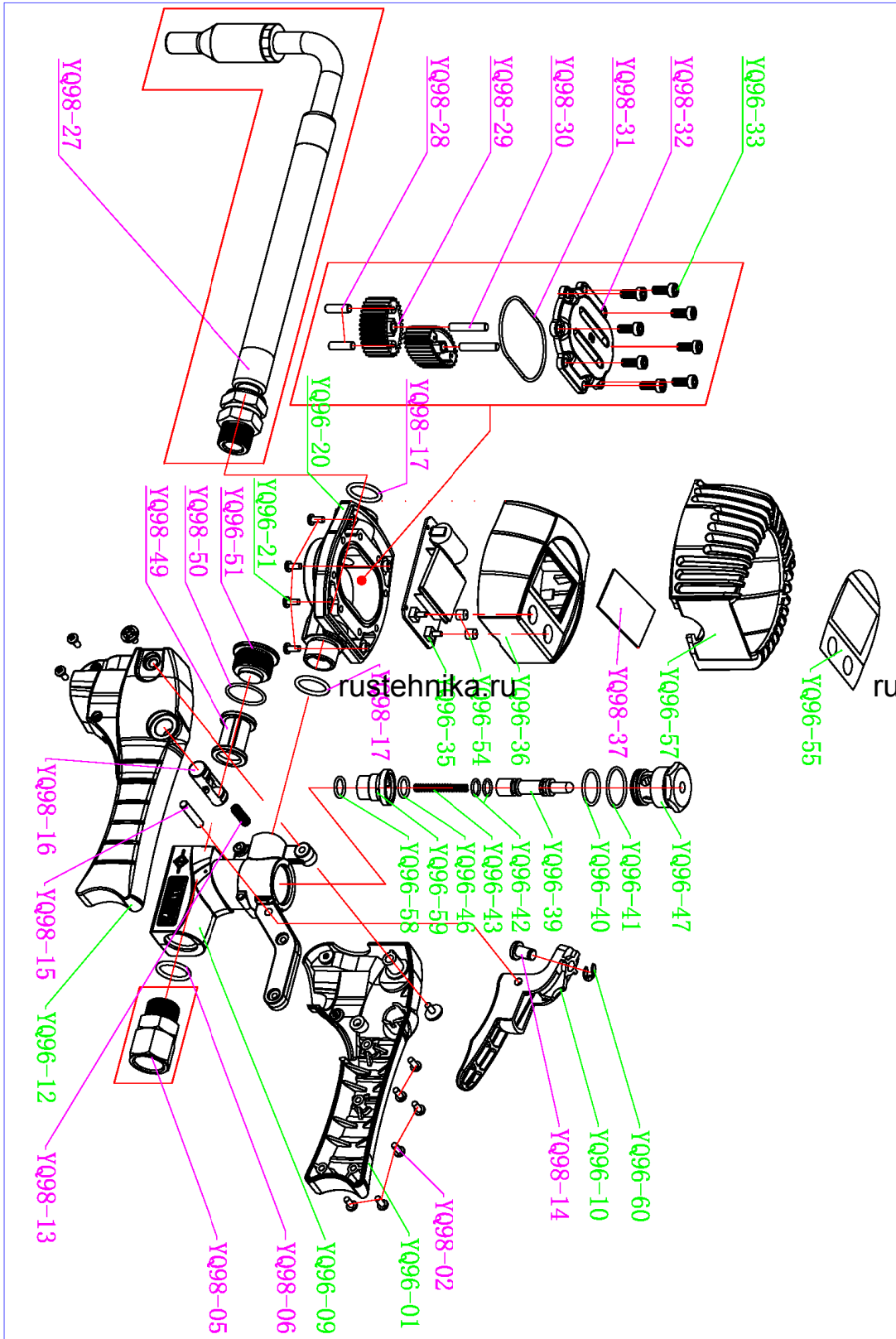
rustehnika.ru

rustehnika.ru

Bom list(Pump)

No.	name	spec	qty	No.	name	spec	qty
1LP-01	hex screw	M6*L150	4	1LP-29	grease seal	Φ8×2NBR	1
1LP-02	booster pump top cover		1	1LP-30	Silencer sheet	φ20×L3	2
1LP-03	seal ring	φ55×2.65	2	1LP-31	snap ring	φ21	2
1LP-04	conical spring	φ2.0	1	1LP-32	seal seat cover	Φ14×1.5	1
1LP-05	plunger chip		1	1LP-33	seal ring	φ41×D3.55	1
1LP-06	platen	φ30×φ12×2	1	1LP-34	seal seat	φ47×L23	1
1LP-07	gasket	φ16×φ6×1.2	1	1LP-36	guidance tape	L3.0×1.5	1
1LP-08	hex screw	M6*L10	1	1LP-38	snap ring	φ48	1
1LP-09	piston cavity	Φ60	1	1LP-39	seal ring	φ50*D2.65	1
1LP-10	hex screw	M4×L25	3	1LP-40	connector		1
1LP-11	metal top plate	φ42	1	1LP-42	connecting rod	φ10×L740	1
1LP-12	central spindle		1	1LP-43	elastic pin	φ3.0*L16	1
1LP-13	guide pin	φ6×0.5	3	1LP-50	guidance tape		1
1LP-14	baffle		2	1LP-60	strainer		1
1LP-15	Special shaped seal ring	φ60.6×14.6×12 NBR	1	3LP-46	one way valve spring		1
1LP-16	metal top plate		1	3LP-49	one way valve axle sleeve	φ30×L37	1
1LP-17	location tube	φ17×2×L33	1	3LP-57	one way valve conical spring		1
1LP-18	spring	φ2.0×φ23.5×L24	1	3LP-61	one way valve		1
1LP-19	gasket	Φ17.5	1	3LP-62	steel ball	φ16	2
1LP-20	snap ring	φ45×T2.0	1	5LP-26	elastic pin	φ3.0×L18	1
1LP-21	seal ring	QY-D 35×43×8.0	1	5LP-37	combined seal ring	14.5*21.8*3.2	2
1LP-22	snap ring		1	5LP-41	connecting rod	φ30×L895	1
1LP-23	piston rod	Φ35×L230	1	5LP-48	seal ring	QY-D 25*17*8.0	1
1LP-24	wind nozzle	1/4	1	5LP-56	one way valve	φ28×1.5	1
1LP-25	mini ball valve	1/4	1	5LP-63	seal ring	(φ26*2) NBR	1
1LP-27	booster pump body		1	5LP-64	elastic pin	φ3.0*L25	1
1LP-28	hex screw	M6×10	1				

Explosive view(Oil gun 70961023)



rustehnika.ru

rustehnika.ru

rustehnika.ru

Bom list(oil gun 70961023)

No.	name	spec	qty	No.	name	spec	qty
YQ96-01	right handle		1	YQ98-49	strainer		1
YQ98-02	screw	BT3.5*15	4	YQ98-50	seal ring	Φ26*Φ2 NBR	1
YQ98-05	connector	G1/2"	1	YQ98-51	cover		1
YQ98-06	seal ring	Φ18*2.65	1	YQ96-58	seal ring	ø9.5*ø1.9	1
YQ96-09	gun body		1	YQ96-59	shaft sleeve		1
YQ96-10	trigger		1	YQ96-60	snap ring		1
YQ96-12	left handle		1	YQ96-20	cavity		1
YQ98-13	spring		1	YQ96-21	screw	BT3.5*22	4
YQ98-14	trigger block		1	YQ98-28	magnetic bar	ø5.3*L17.3	2
YQ98-15	trigger pin		1	YQ98-29	ellipse gear		2
YQ98-16	trigger lock pin		1	YQ98-30	rotate shaft		2
YQ98-17	seal ring	ø15*ø2.65 NBR	1	YQ98-31	seal ring	ø54.5*ø1.8 NBR	1
YQ98-27	flexible nozzle		1	YQ98-32	cavity cover		1
YQ96-39	valve coil		1	YQ96-33	hex screw	M5*15	8
YQ96-40	seal ring	ø20*ø1.8 NBR	1	YQ96-35	circuit board		1
YQ96-41	seal ring	ø24*ø1.8 NBR	1	YQ96-36	upper cover		1
YQ96-42	seal ring	ø7*ø2.2	1	YQ98-37	glass plate	55*28*1.0 PMMA	1
YQ96-43	reset spring		1	YQ96-54	key handle cap		2
YQ96-46	seal ring	ø10*ø1.8 NBR	1	YQ96-55	key mask	PVC	1

YQ96-47	valve cover		1	YQ96-57	protection sleeve		1
---------	-------------	--	---	---------	-------------------	--	---