

DK40Q

Capacity 4.000 kg

DK60Q

Capacity 6.000 kg

DK100Q

Capacity 10.000 kg

DK120Q

Capacity 12.000 kg

DK50HLQ

Capacity 5.000 kg



rustehnika.ru

rustehnika.ru

rustehnika.ru

DK Brugermanual
Hydraulisk donkraft

GB User's guide
Hydraulic Garage Jacks

DE Betriebsanleitung
Hydraulischer Rangierheber

**AC Hydraulic A/S**

Fanøvej 6
DK-8800 Viborg - Danmark
Tel.: +45 8662 2166
Fax: +45 8662 2988
E-mail: ac@ac-hydraulic.dk
www.ac-hydraulic.com

Ⓚ MONTERING AF HÅNDTAG

Ⓜ MOUNTING OF HANDLE

Ⓓ MONTAGE VON HEBEL

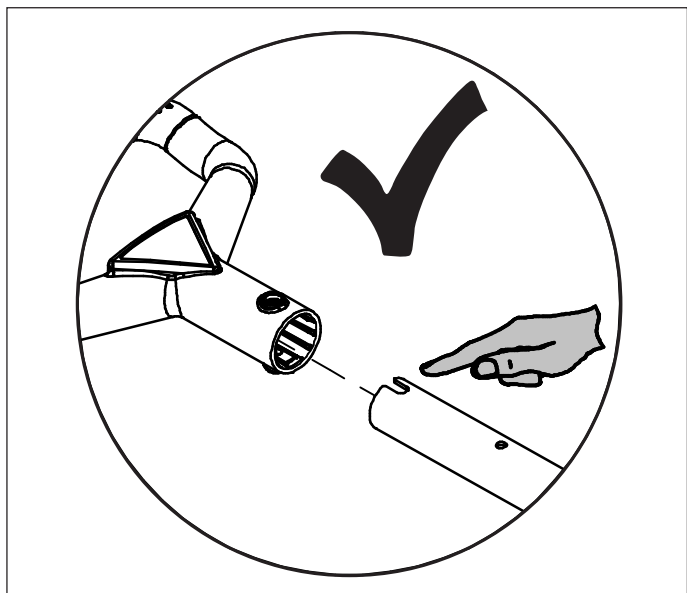


Fig. 1

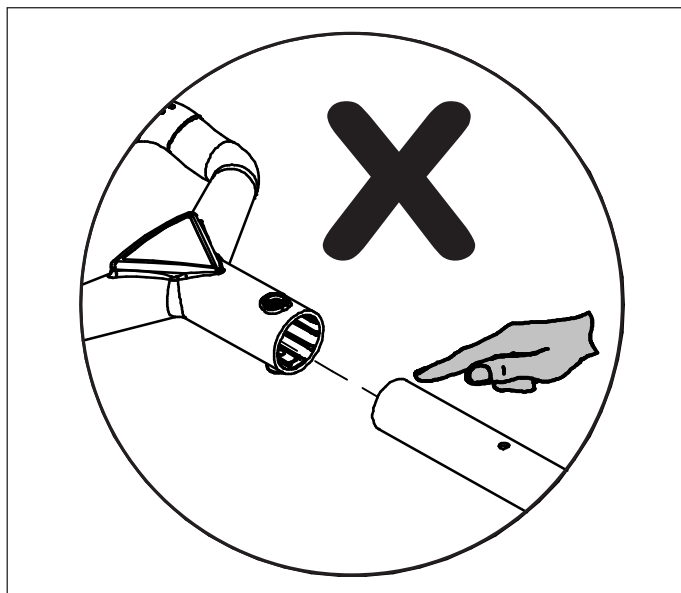


Fig. 2

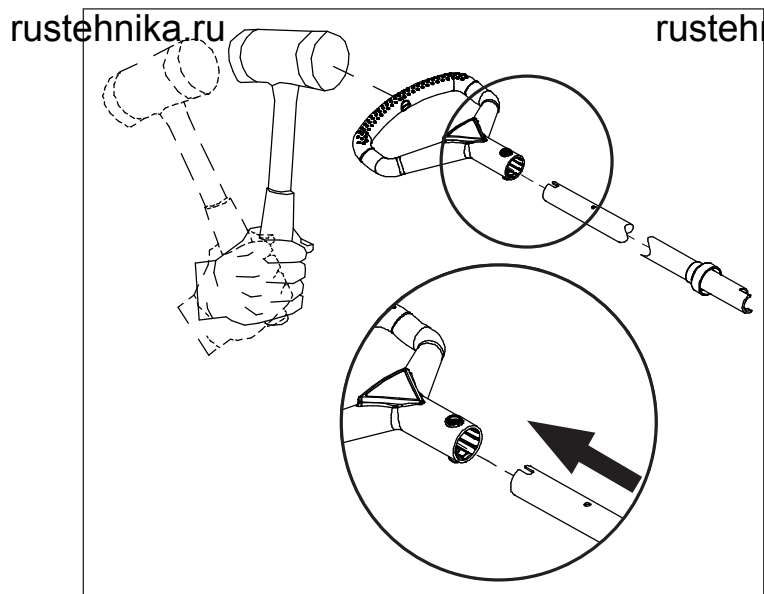


Fig. 3

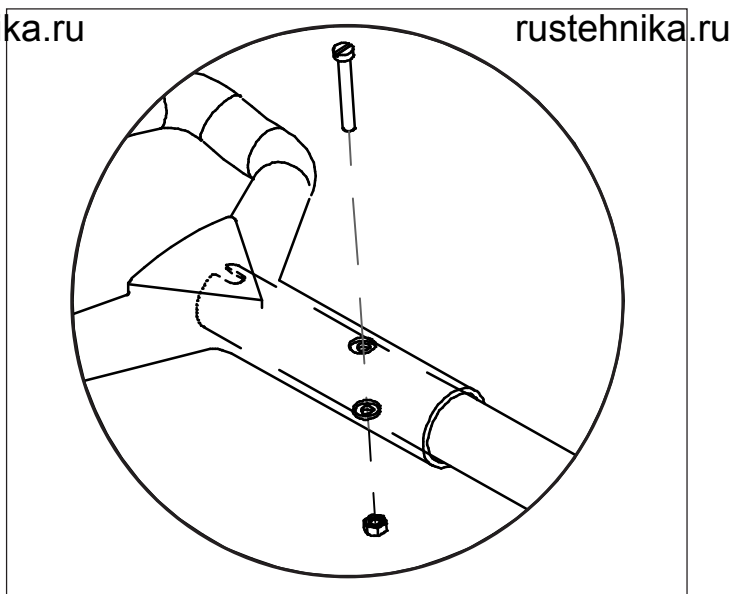


Fig. 4

**(GB) DK40Q, DK60Q, DK100Q,
DK120Q, DK50HLQ**

**WARNINGS -
Safe usage instructions**

1. Study, understand and follow all instructions before operating this jack.
2. Do not exceed rated capacity.
3. Use only on hard level surface.
4. It is recommended to brake and chock the vehicle.
5. Do not move or transport the vehicle while on the jack.
6. Lifting device only. Immediately after lifting, support the vehicle with support stands.
7. Lift only on areas of the vehicle as specified by the vehicle manufacturer, and only centrally on the lifting saddle.
8. No person shall remain in, on, or get bodily under a load that is being jacked or is supported only by a jack.
9. Only original accessories and spare parts shall be used.
10. No alterations shall be made to this jack.
11. Failure to follow these warnings may result in personal injury and/or property damage.

Assembly

Mount plastic handle on tube lever with inner projection to fit into slot. Push tube lever into handle until screw and nut can be mounted (use a rubber hammer to adjust handle position) (Fig. 1-4). Then place lever in tipping gear, and secure it with tipping gear screw fitting into slot in tube lever.

Use

Lifting: Activate lever tube up and down using full strokes.

Lowering: Pull lever tube up, then slowly turn counter clockwise.

Maintenance

Maintenance and repair must always be carried out by qualified personnel.

Daily: Inspect jack for damages.

Monthly: Lubricate all mechanical parts with a few drops of oil.

Important: It is mandatory to lubricate axle (9103000) for tipping mechanism every month! If not you risk "long" holes in the pump, which is not cover under warranty!

Refilling of oil: Pump and cylinder form a closed system and refilling of oil is only necessary in exceptional cases. To check the oil level it is necessary to take out the pump, complete:

1. pump the jack half-way up.
2. keep the handle horizontally and block the piston rod (42) in the inmost position by a screw or the like through the hole in the re-lease bracket. (47). Mind the

inner spring.

3. Remove handle and tipping gear as well as two screws (9) on the top of the lifting frame.

4. Unfasten screw (29) and disconnect the piston rod and the base frame by lifting the lifting frame.

5. Lift the loose complete pump up and out of the lifting frame.

Correct oil level is up to lower edge of filling hole (26) keeping the complete pump vertically and the piston rod pushed in. Too much oil might cause imperfect pump function.

Oil quantity: DK40Q/DK60Q: 0,8 l

Oil quantity: DK50HLQ/DK100Q/DK120Q: 1,3 l

Any good hydraulic oil of viscosity of ISO VG15 can be used.

NEVER USE BRAKE FLUID.

Safety Inspection

According to national legislation - minimum once a year though - the jack must be inspected by a professional: damages, wear and tear, adjustment of the safety valve, hydraulic unit for leakages. Furthermore that all safety labels are legible.

Troubleshooting

1. The load is dropping occasionally: Verify the play between release bracket (47) and lever tube. Adjust the two nuts (11) until the play is 1-2 mm, irrespective of the lever tube position (vertical or horizontal).
2. The jack does not lift to maximum position: refill with oil.
3. The load is dropping: leaking pump valves or worn seals. Inspect the valve seats + balls under plug (30) and change seals in lifting cylinder.
4. The hydraulic unit is leaking: exchange worn seals with repair kit.

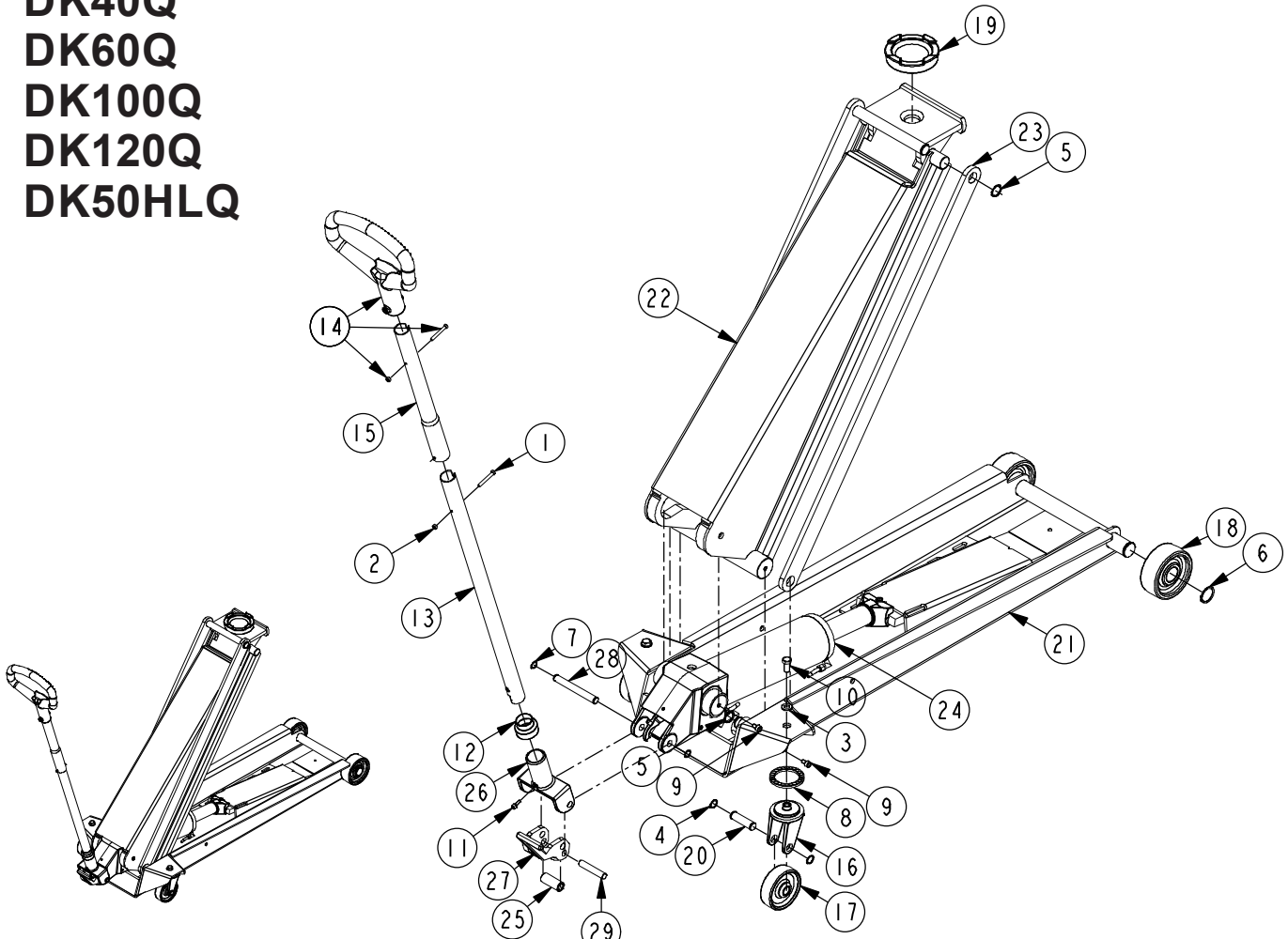
Spare parts

Replace worn or broken parts with genuine jack manufacturer supplied parts only. All major parts may not be provided after discontinuation of a model.

Destruction

Oil must be drained off and legally disposed of.

DK40Q
DK60Q
DK100Q
DK120Q
DK50HLQ



DK40Q

DK60Q

DK100Q

DK120Q

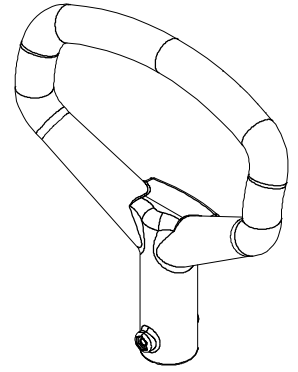
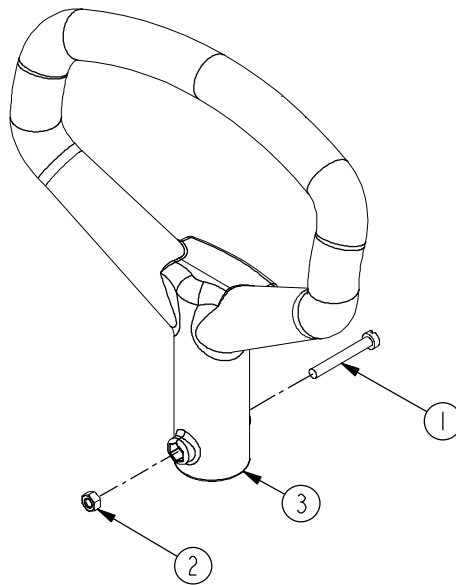
DK50HLQ

ⒹK

ⒼB

ⒹE

Pos.	Art.no.	Art.no.	Art.no.	Art.no.	Art.no.	Pcs.	Beskrivelse	Description	Bezeichnung
	36 025 00	36 035 00	36 045 00	36 065 00	36 040 00		Donkraft	Jack	Rangierheber
1		02 028 00		02 028 00	02 028 00	1	Skruer	Screw	Schraube
2		02 072 00		02 072 00	02 072 00	1	Møtrik	Nut	Mutter
3	02 121 00	02 121 00	02 121 00	02 121 00	02 121 00	2	Skive	Washer	Scheibe
4	02 204 00	02 204 00	02 204 00	02 204 00	02 204 00	4	Seegerring	Seegerring	Seegerring
5	02 206 00	02 206 00	02 206 00	02 206 00	02 206 00	4	Seegerring	Seegerring	Seegerring
6	02 209 00	02 209 00	02 209 00	02 209 00	02 209 00	2	Seegerring	Seegerring	Seegerring
7	02 224 00	02 224 00	02 224 00	02 224 00	02 224 00	2	Seegerring	Seegerring	Seegerring
8	02 261 00	02 261 00	02 261 00	02 261 00	02 261 00	2	Trykleje	Thrust bearing	Drucklager
9	02 308 00	02 308 00	02 308 00	02 308 00	02 308 00	4	Skruer	Screw	Schraube
10	02 322 00	02 322 00	02 322 00	02 322 00	02 322 00	2	Skruer	Screw	Schraube
11	02 346 00	02 346 00	02 346 00	02 346 00	02 346 00	1	Skruer	Screw	Schraube
12	36 009 00	36 009 00	36 009 00	36 009 00	36 009 00	1	Plastkappe	Plastic cover	Plastkappe
13	36 010 00	36 010 00	36 010 00	36 010 00	36 010 00	1	Håndtagsrør	Lever tube	Handhebelrohr
14	36 011 99	36 011 99	36 011 99	36 011 99	36 011 99	1	Håndtag	Handle	Griff
15		36 013 00		36 013 00	36 013 00	1	Håndtagsforlænger	Handle extension	Griffverlängerung
16	36 028 00	36 028 00	36 028 00	36 028 00	36 028 00	2	Hjulgaffel	Wheel fork	Radgabel
17	36 029 00	36 029 00	36 029 00	36 029 00	36 029 00	2	Hjul	Wheel	Rad
18	36 030 00	36 030 00	36 030 00	36 030 00	36 030 00	2	Hjul	Wheel	Rad
19	36 031 00	36 031 00	36 031 00	36 031 00	36 031 00	1	Sadel	Saddle	Sattel
20	36 033 00	36 033 00	36 033 00	36 033 00	36 033 00	2	Aksel	Axle	Achse
21	36 026 00	36 026 00	36 046 00	36 046 00	36 041 00	1	Køreramme	Base frame	Fahrrahmne
22	36 027 00	36 027 00	36 047 00	36 047 00	36 042 00	1	Løfteramme	Lifting frame	Heberahmen
23	36 044 00	36 044 00	36 044 00	36 044 00	36 043 00	2	Parallelstang	Steering rod	Parallelstange
24	91 020 00	91 020 00	91 000 00	91 000 00	91 000 00	1	Pumpe	Pump	Pumpe
25	91 023 00	91 023 00	91 023 00	91 023 00	91 023 00	1	Rulle	Roller	Rollen
26	91 027 00	91 027 00	91 027 00	91 027 00	91 027 00	1	Nikketøj	Tipping gear	Kippvorrichtung
27	91 028 00	91 028 00	91 028 00	91 028 00	91 028 00	1	Fodpedal	Pedal	Fußhebel
28	91 030 00	91 030 00	91 030 00	91 030 00	91 030 00	1	Nikketøjsaksel	Axle f. tipping gear	Achse
29	91 031 00	91 031 00	91 031 00	91 031 00	91 031 00	1	Rulleaksel	Rolling axle	Rollenachse



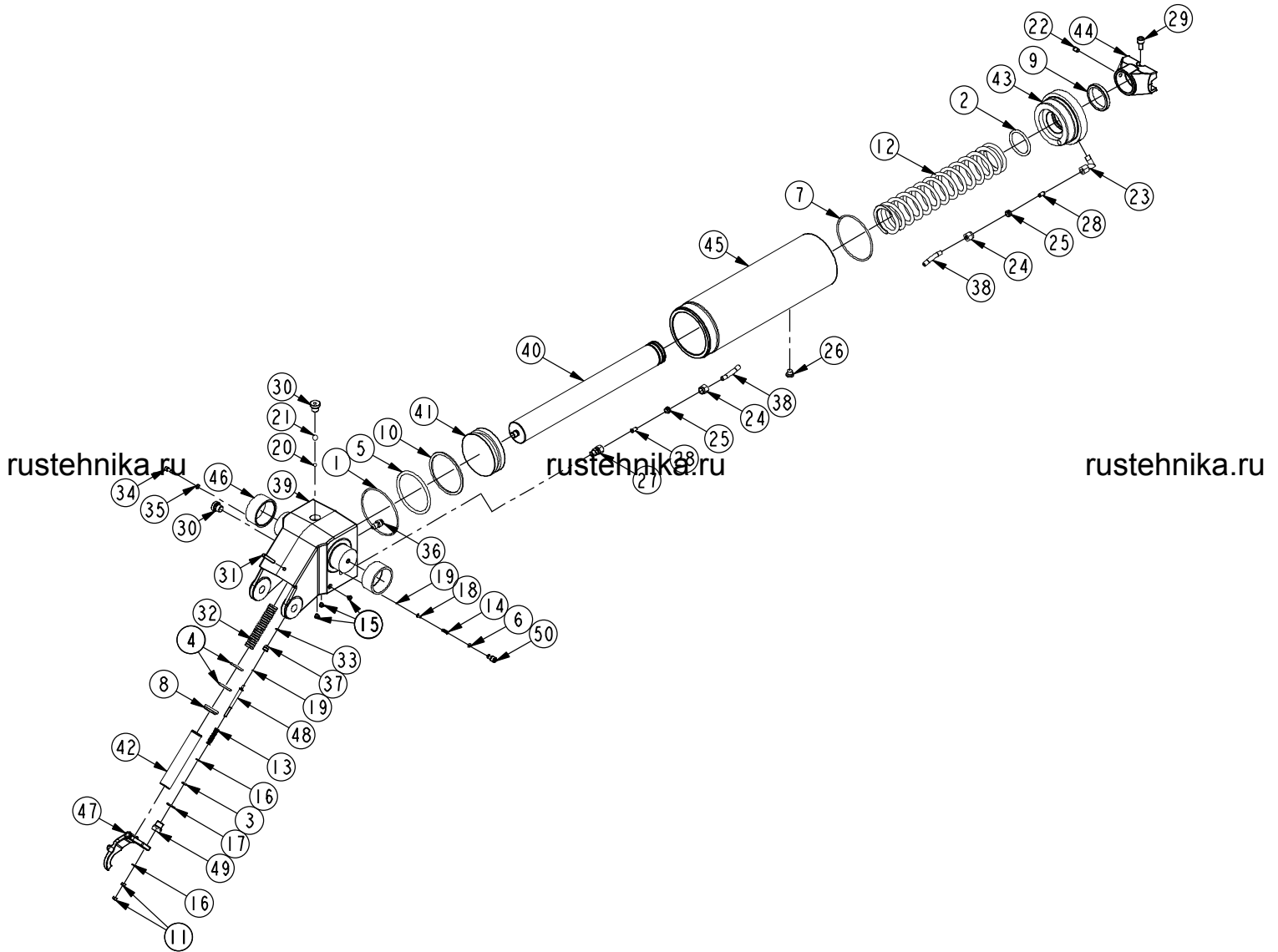
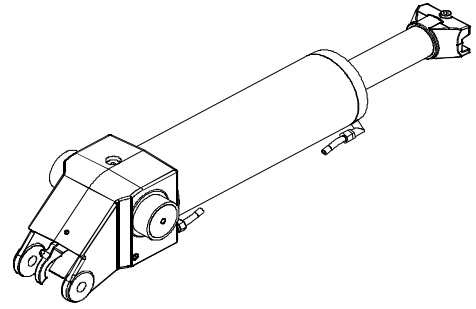
	DK40Q	DK60Q	DK100Q	DK120Q	DK50HLQ	(DK)	(GB)	(DE)	
Pos.	Art. No.	Art. No.	Art. No.	Art. No.	Art. No.	Pcs.	Benævnelse	Description	Bezeichnung
	36 011 99	36 011 99	36 011 99	36 011 99	36 011 99		Bøjlegreb, komplet	Handle, complete	Griff, komplett
1	02 028 00	02 028 00	02 028 00	02 028 00	02 028 00	1	Skrue	Screw	Schraube
2	02 072 00	02 072 00	02 072 00	02 072 00	02 072 00	1	Møtrik	Nut	Mutter
3	36 011 00	36 011 00	36 011 00	36 011 00	36 011 00	1	Bøjlegreb	Handle	Griff

91 020 00

91 020 00

91 000 00

91 000 00



DK: De med * mærkede dele leveres i komplet pakningsæt. Anvend altid originale reservedele. Angiv venligst altid model og reservedelsnummer. Alle hoveddele kan ikke forventes leveret efter produktionsophør af model.

GB: * indicate parts included in repair set. Please always state model and part number. Do always apply original spare parts.

All major parts may not be provided as spare parts after discontinuation of production of a model.

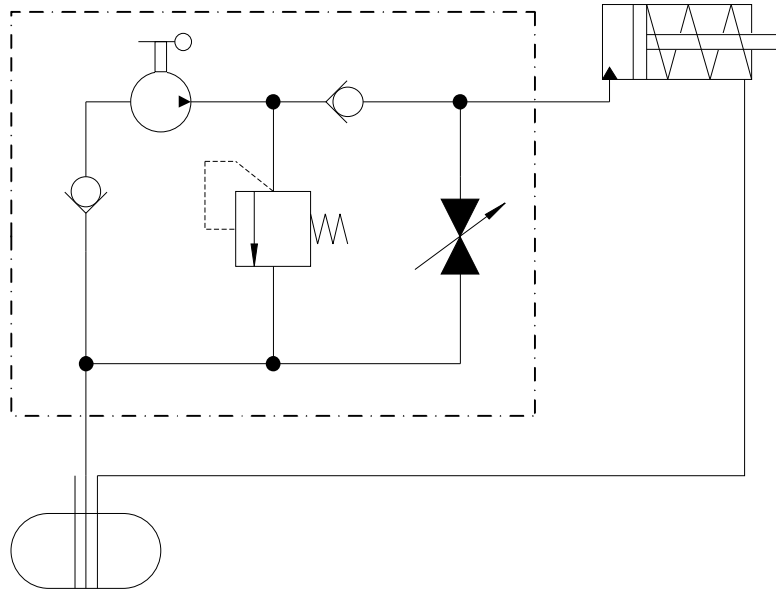
DE: Die mit * markierten Teile sind im Dichtungssatz enthalten. Bitte immer Modell und Ersatzteilnummer auf Ihren Bestellungen angeben. Immer nur Originalteile verwenden. Lieferung von allen Hauptteilen als Ersatzteile kann nach Produktions-Einstellung eines Modelles nicht erwartet werden.

	DK40Q	DK60Q	DK100Q	DK120Q	DK50HLQ	(DK)	(GB)	(DE)	
Pos.	Art. No.	Art. No.	Art. No.	Art. No.	Art. No.	Pcs. Benævnelse	Description	Bezeichnung	
	91 020 00	91 020 00	91 000 00	91 000 00	91 000 00		Pumpe, komplet	Pump, cpl.	Pumpe, kpl.
*1	01 007 00	01 007 00	01 011 00	01 011 00	01 011 00	1 O-ring	O-ring	O-ring	
*2	01 025 00	01 025 00	01 024 00	01 024 00	01 024 00	1 O-ring	O-ring	O-ring	
*3	01 039 00	01 039 00	01 039 00	01 039 00	01 039 00	1 O-ring	O-ring	O-ring	
*4	01 051 00	01 051 00	01 051 00	01 051 00	01 051 00	2 O-ring	O-ring	O-ring	
*5	01 071 00	01 071 00	01 083 00	01 083 00	01 083 00	1 O-ring	O-ring	O-ring	
*6	01 089 00	01 089 00	01 089 00	01 089 00	01 089 00	1 O-ring	O-ring	O-ring	
*7	01 050 00	01 050 00	01 216 00	01 216 00	01 216 00	1 O-ring	O-ring	O-ring	
*8	01 254 00	01 254 00	01 254 00	01 254 00	01 254 00	1 Afstryger	Scraper ring	Abstreifer	
*9	01 271 00	01 271 00	01 270 00	01 270 00	01 270 00	1 Afstryger Ø45	Scraper ring Ø45	Abstreifer	
*10	01 309 00	01 309 00	01 301 00	01 301 00	01 301 00	1 Back-up ring	Back-up ring	Stossring	
11	02 016 00	02 016 00	02 016 00	02 016 00	02 016 00	2 Møtrik	Nut	Mutter	
12	02 029 00	02 029 00	02 029 00	02 029 00	02 029 00	1 Fjeder	Spring	Feder	
13	02 054 00	02 054 00	02 054 00	02 054 00	02 054 00	1 Fjeder	Spring	Feder	
14	02 078 00	02 078 00	02 078 00	02 078 00	02 078 00	1 Fjeder	Spring	Feder	
15	02 088 00	02 088 00	02 088 00	02 088 00	02 088 00	1/3 Prop	Plug	Pfropfen	
16	02 108 00	02 108 00	02 108 00	02 108 00	02 108 00	2 Skive	Washer	Scheibe	
*17	02 132 00	02 132 00	02 132 00	02 132 00	02 132 00	1 Cu skive	Cu washer	Cu Scheibe	
18	02 155 00	02 155 00	02 155 00	02 155 00	02 155 00	1 Skrue	Screw	Schraube	
*19	02 183 00	02 183 00	02 183 00	02 183 00	02 183 00	1/2 Kugle, Ø2,5	Ball, Ø2,5	Kugel, Ø2,5	
	02 291 00	02 291 00				1 Kugle, Ø3,5 (Udløser)	Ball, Ø3,5 (Release)	Kugel, Ø3,5 (Auslöser)	
*20	02 292 00	02 292 00	02 292 00	02 292 00	02 292 00	1 Kugle, Ø6,5	Ball, Ø6,5	Kugel, Ø6,5	
*21	02 294 00	02 294 00	02 294 00	02 294 00	02 294 00	1 Kugle, Ø10	Ball, Ø10	Kugel, Ø10	
22	02 313 00	02 313 00	02 313 00	02 313 00	02 313 00	1 Pinolskrue	Screw	Schraube	
23	02 417 00	02 417 00	02 417 00	02 417 00	02 417 00	1 Fitting	Fitting	Fitting	
24	02 419 00	02 419 00	02 419 00	02 419 00	02 419 00	2 Omløber	Union nut	Überwurfmutter	
25	02 420 00	02 420 00	02 420 00	02 420 00	02 420 00	2 Skærering	Ring	Sneidring	
26	02 448 00	02 448 00	02 448 00	02 448 00	02 448 00	1 Prop	Plug	Pfropfen	
27	02 498 00	02 498 00	02 498 00	02 498 00	02 498 00	1 Fitting	Fitting	Fitting	
28	02 544 00	02 544 00	02 544 00	02 544 00	02 544 00	2 Støttebøsning	Support bushing	Stützbuchse	
29	02 551 00	02 551 00	02 551 00	02 551 00	02 551 00	1 Skrue	Screw	Schraube	
30	02 584 00	02 584 00	02 584 00	02 584 00	02 584 00	2 Prop	Plug	Pfropfen	
31	02 683 00	02 683 00	02 683 00	02 683 00	02 683 00	1 Stopskrue	Stop screw	Stop Schraube	
32	02 685 00	02 685 00	02 685 00	02 685 00	02 685 00	1 Fjeder	Spring	Feder	
*33			02 831 00	02 831 00	02 831 00	1 Al skive	Al disc	Al Scheibe	
34	02 861 00	02 861 00	02 861 00	02 861 00	02 861 00	1 Skrue	Screw	Schraube	
*35	02 939 00	02 939 00	02 939 00	02 939 00	02 939 00	1 Cu skive	Cu washer	Cu Scheibe	
36	02 894 00	02 894 00	02 946 00	02 946 00	02 946 00	1 Sænkebremseventil	Brake valve	Bremseventil	
*37			90 667 00	90 667 00	90 667 00	1 Ventilindsats 1/8", Ø2,5	Valve core	Ventileinsatz	
38	90 798 32	90 798 32	90 798 32	90 798 32	90 798 32	1 Olieslange	Oil hose	Ölschlauch	
39	91 021 00	91 021 00	91 001 00	91 001 00	91 001 00	1 Pumpekrop	Pump body	Pumpgehäuse	
40	91 025 00	91 025 00	91 003 00	91 003 00	91 003 00	1 Stempelstok	Piston rod	Kolbenstange	
41	91 024 00	91 024 00	91 004 00	91 004 00	91 004 00	1 Stempel	Piston	Kolbenstange	
42	91 005 00	91 005 00	91 005 00	91 005 00	91 005 00	1 Pumpestempel	Pump piston	Pumpkolben	
43	91 022 00	91 022 00	91 006 00	91 006 00	91 006 00	1 Cylindermøtrik	Cylinder nut	Zylindermutter	
44	91 026 00	91 026 00	91 010 00	91 010 00	91 010 00	1 Adapter for stempelstok	Adapter	Adaptor	
45	91 032 00	91 032 00	91 011 00	91 011 00	91 011 00	1 Cylinderrør	Cylinder tube	Zylinderrohr	
46	91 033 00	91 033 00	91 017 00	91 017 00	91 017 00	2 Lejebøsning	Bearing bush	Lagerbuchse	
47	91 029 00	91 029 00	91 029 00	91 029 00	91 029 00	1 Udløserbøjle	Release bracket	Auslöserbügel	
48	91 056 00	91 056 00	91 056 00	91 056 00	91 056 00	1 Udløserspindel	Release spindle	Auslöserspindel	
49	91 057 00	91 057 00	91 057 00	91 057 00	91 057 00	1 Udløserstyr	Release guide	Auslöserführung	
50	95 005 02	95 005 02	95 005 02	95 005 02	95 005 02	1 Justerskrue	Adjusting screw	Justierschraube	
*	09 049 00	09 049 00	09 046 00	09 046 00	09 046 00		Pakningssæt	Repair kit	Dichtungssatz

ⒹK **HYDRAULIK DIAGRAM**

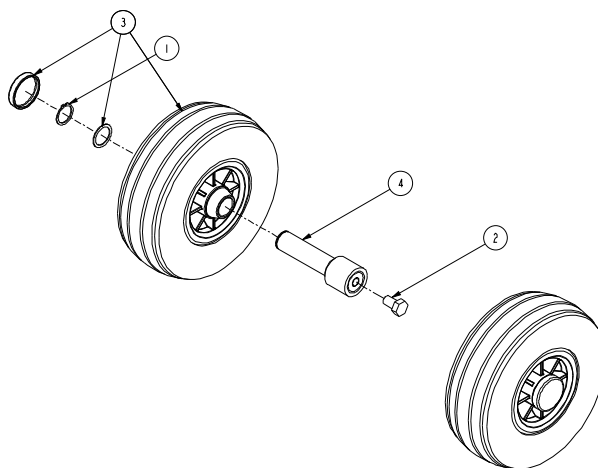
ⒼB **HYDRAULIC CHART**

ⒹE **HYDRAULISCHES DIAGRAMM**

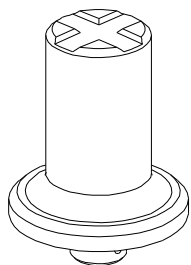


(DK) **TILBEHØR**
 (GB) **ACCESSORIES**
 (DE) **ZUBEHÖR**

Pos.	Art. No.	Pcs.	(DK) Benævnelse	(GB) Description	(DE) Bezeichnung
	36 055 00		G4 transporthjul	Pneumatic Wheels	Luftgummiräder
1	02 206 00	2	Seegerring	Circlip	Seegerring
2	02 513 00	2	Skrue	Screw	Schraube
3	02 682 00	2	Hjul	Wheel	Rad
4	36 049 00	2	Aksel f. transp.hjul	Axel for wheel	Aksel für Rad



rustehnika.ru



36 017 00

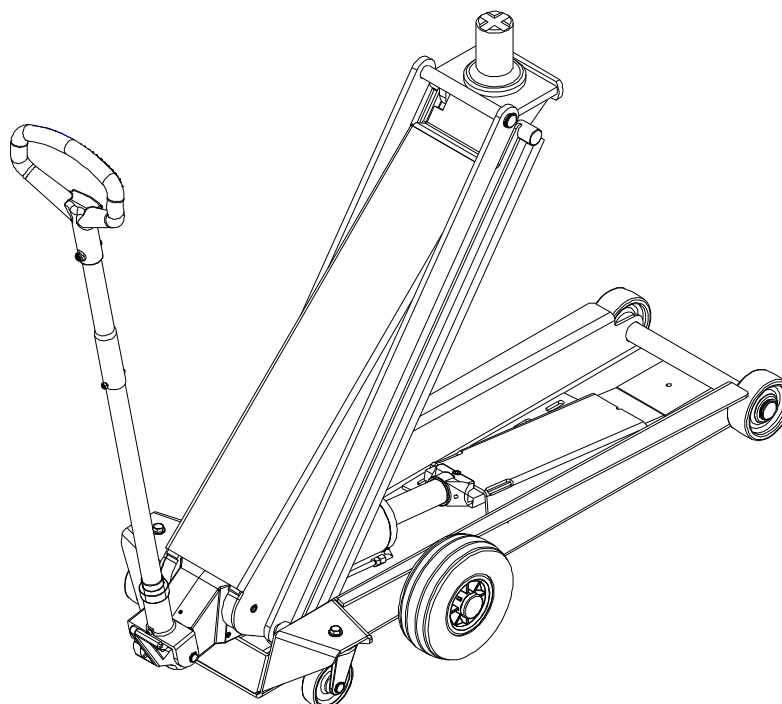
rustehnika.ru

(DK) **Forlænger**
125 mm

(GB) **Extension**
125 mm

(DE) **Verlängerung**
125 mm

rustehnika.ru



rustehnika.ru

rustehnika.ru

rustehnika.ru

EU Overensstemmelseserklæring
 EC Declaration of Conformity for Machinery
 EG Konformitätserklärung
 Declaration CE de conformité
 pour les composants

EU Överensstämelseforsäkran
 Vaatimustenmukaisuuvakuutus
 EU verklaring van overeenstemming
 EU declaración de conformidad
 sobre maquinaria

Directive 2006/42/EC

(DK) Hydrauliske donkrafte,

(NO) **DK40Q, DK60Q, DK100Q, DK120Q, DK50HLQ**
 er i overensstemmelse med Maskindirektivets bestemmelser (Direktiv 2006/42/EC og EN1494). Claus A. Christensen, Fanøvej 6, DK-8800 er bemyndiget til at udarbejde det tekniske dossier.

(SE) Hydrauliska domkrafter

(FI) **DK40Q, DK60Q, DK100Q, DK120Q, DK50HLQ**
 Överensstämmer med Maskindirektivets bestämmelser (Direktiv 2006/42/EC och EN1494). Claus A. Christensen, Fanøvej 6, DK-8800 är behörig att ställa samman den tekniska dokumentationen.

(GB) Hydraulic Garage Jacks,

DK40Q, DK60Q, DK100Q, DK120Q, DK50HLQ
 are in conformity with the provisions of the Machinery Directive (Directive 2006/42/EC and EN1494). Mr. Claus A. Christensen, Fanøvej 6, DK-8800 is authorized to compile the technical file.

(FI) Hydraulisen hallinostin käyttöohjeet,

DK40Q, DK60Q, DK100Q, DK120Q, DK50HLQ
 vastaa Konedirektiivin (direktiivi 2006/42/EC ja EN1494). Claus A. Christensen, Fanøvej 6, DK-8800 on valtuutettu kokoamaan teknisen tiedoston.

(DE) Hydraulische Rangierheber,

DK40Q, DK60Q, DK100Q, DK120Q, DK50HLQ
 konform sind mit den einschlägigen Bestimmungen der EG-Maschinenrichtlinie 2006/42/EC und EN1494. Herr Claus A. Christensen, Fanøvej 6, DK-8800 ist berechtigt, die technischen Unterlagen zusammenzustellen.

(NL) Hydraulische rolkrik,

DK40Q, DK60Q, DK100Q, DK120Q, DK50HLQ
 in overeenstemming zijn met de bepalingen van de Richtlijn Machines (richtlijn 2006/42/EC en EN1494). Claus A. Christensen, Fanøvej 6, DK-8800 gemachtigd is om het technisch dossier samen te stellen.

(FR) Crics rouleurs hydraulique,

DK40Q, DK60Q, DK100Q, DK120Q, DK50HLQ
 sont conformes aux dispositions de la Directive Machine 2006/42/EC et EN1494. Claus A. Christensen, Fanøvej 6, DK-8800 est autorisée à constituer le dossier technique.

(ES) Los gatos hidráulicos,

DK40Q, DK60Q, DK100Q, DK120Q, DK50HLQ
 son conforme con las directrices sobre maquinaria (Directiva 2006/42/EC y EN1494). Claus A. Christensen, Fanøvej 6, DK-8800 está facultado para elaborar el expediente técnico.



AC Hydraulic A/S

Fanøvej 6
 DK-8800 Viborg - Danmark
 Tel.: +45 8662 2166
 Fax: +45 8662 2988
 E-mail: ac@ac-hydraulic.dk
 www.ac-hydraulic.com


 Claus A. Christensen
 General Manager
 Viborg 01.01.15



Subject to changes and misprints.